

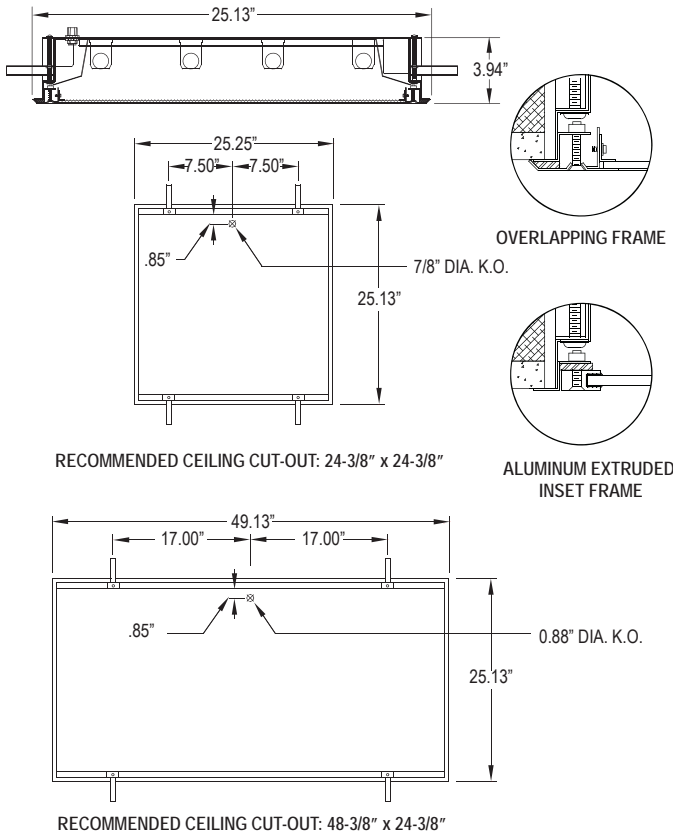
# STARCLEAN 22-24 FLANGE

## CLEANROOM SERIES

FLANGE LUMINAIRE  
FLUORESCENT/LED



### DIMENSIONAL DATA



PROJECT:
TYPE:
PRODUCT:
APPROVED:
DATE:

### FEATURES

The New Star "StarClean F22-F24" Cleanroom fixture is designed for use in medical settings, labs, high-tech production facilities, food processing and areas where clean is critical.

- Flange housing utilizing enclosed design with seam welds to insure ingress protection.
- Swing arm mounting system for easy installation
- Optional plaster frame/yoke assembly available.
- Standard overlapping frame construction from a single sheet with beveled edges.
- Smooth surfaces for easy cleaning
- Dimming Driver (0-10V) standard
- Dimming 1% available
- Inset frame fabrication from extruded aluminum with sealed, reinforced edges
- Specialized gasketing to provide contamination control
- IP65 rated with overlap frame and inset CRS, stainless steel and aluminum painted

### APPLICATION

- Cleanroom
- Laboratory
- Hospital
- Food Processing Facilities
- Hi- Technology Manufacturing

### SPECIFICATION FEATURES

#### HOUSING:

20 gauge formed cold rolled steel housing with continuous seam welds. Aluminum and stainless steel option available. Manufactured in accordance with NSF standards.

#### FRAME:

Inset extruded door available in anodized aluminum or white painted aluminum. Overlapping door frame available in aluminum, CRS and stainless steel. Frame fastened to housing via aircraft cable.

#### LENS:

Acrylic lens with optional RFI and symmetric/asymmetric pattern, smooth side out. Overlapping frame uses a rail hold down system.

#### ELECTRONICS:

Fluorescent:  
Electronic Ballast <10% THD standard. RIF available. Lamps by others.

#### LED:

Available in three standard color temperatures 3500'K, 4000'K & 5000'K. Other color temperatures available, consult factory.

#### LED NIGHT LIGHT:

Integrated switch allows light selection at 100%, 70%, 40% and 10% levels

#### GASKET:

Closed cell pvc or extruded silicone gaskets prevent air contaminants from entering room.

#### FASTENERS:

Phillips flat head screws with captive cage nuts

#### FINISH:

White Antimicrobial powdercoat finish following iron phosphate pre-treatment.

#### INSTALLATION:

Easy installation with adjustable 90° swing arm system standard.

#### LABEL:



### ORDERING INFORMATION

Product Family	Housing Matl.	Frame	# of Lamps	Lamp Type
<b>SCF_</b>				
<b>SCF22</b> 25-1/8" x 25-1/4" x 3-15/16"	HC = 20Ga. CRS (Standard)	Overlap Frame Options: IP65: OC = 18Ga. CRS (Standard) OS = 18Ga. S.S. (Brushed) OP = 18Ga. S.S. (Painted) OA = Aluminum (Painted)	Fluorescent: SCF22-SCF24: 2 = 2 Lamp 4 = 4 Lamp 3 = 3 Lamp 6 = 6 Lamp LED SCF22: L2 = LED 2 Rw (25W) L3 = LED 3 Rw (37.5W) L4 = LED 4 Rw (50W) L5 = LED 5 Rw (62.5W) L6 = LED 6 Rw (75W) L7 = LED 7 Rw (87.5W) L8 = LED 8 Rw (100W)	SCF22: 17 = Linear 17W T8 14 = Linear 14W T5 24 = Linear 24W T5 HO U6 = 32W U-Lamp (6" leg spacing)
<b>SCF24</b> 25-1/8" x 49-1/8" x 3-15/16"	HS = 20Ga. S.S. HP = 20Ga. S.S. (Painted) HA = Alum. .050 (Painted)	Inset Frame Options: IE = Extruded Alum. No IP65 (Painted) No IP65 IC = 18Ga. CRS IP65 IA = Alum. (Painted) IP65 IB = 18Ga. S.S. (Brushed) IP65 IS = 18Ga. S.S. (Painted) IP65	LED SCF24: L2 = LED 2 Rw (50W) L3 = LED 3 Rw (75W) L4 = LED 4 Rw (100W) L5 = LED 5 Rw (125W) L6 = LED 6 Rw (150W) L7 = LED 7 Rw (175W) L8 = LED 8 Rw (200W)	SCF24: 32 = Linear 32W T8 28 = Linear 28W T5 54 = Linear 54W T5 HO LED: 35 = White 3500' K 40 = White 4000' K 50 = White 5000' K
# Ballasts/Drivers	Lens	Voltage	Options	
Fluorescent: LED: 1 = Ballast 1 = Driver 2 = Ballast 2 = Driver 3 = Driver 4 = Driver	A = .125 Prismatic Acrylic B = .125 Prismatic Polycarbonate C = .156 Prismatic Polycarbonate+ D = .187 Prismatic Polycarbonate G = .140 DR Acrylic LC3 = .125 White Frosted Polycarbonate	12 = 120V 27 = 277V 34 = 347V UN = Universal (120V-277V)	DM1 = Dimming 1% driver DB = Dimming Ballast (0-10V) * SD2 = Step Dim. Module(50-100%) SD3 = Step Dim. Module(25-50-100%) SD3A=Step Dim. Module(33-66-100%) PR = Program Rapid Start FZ = Fuse * NL = Fluorescent Night Light * LN = LED Night Light. Consult factory for available color/temperatures.	E1 = Emerg. Bat. Pack(450 Lumens) * E2 = Emerg. Bat. Pack (1100 Lumens) * EL1= Emerg. Bat. LED Low EL2= Emerg. Bat. LED High RF = RIF (Radio Interference Filter)* TH = Torx Head screws (with center pin) TM = Tandem Mount TC = T-Bar clips(field install only)

\* Cannot use with universal voltage option  
+ Must be used when ordering lensed inset door  
• 2 lamp only  
◀ Consult factory for T5 availability

▲ Not available in 277V  
■ Consult factory for lamp-ballast options  
◆ Not available in LED

Notes:  
Specifications and Dimensions are subject to change without notice. For additional options and dimensional details please consult your New Star Lighting Representative. For specific electronic ballast, specify brand and catalog number.



# LED BOARDS	# ROWS	WATTAGE	EFFICACY (lm/W)	DELIVERED LUMENS
<b>SSF22-SSG22-SSS22</b>				
<b>SCF22-SCG22-SCS22:</b>				
L2	2 Rw	(25.0W)	110	2,750 LMS
L3	3 Rw	(37.5W)	110	4,125 LMS
L4	4 Rw	(50.0W)	110	5,500 LMS
L5	5 Rw	(62.5W)	110	6,875 LMS
L6	6 Rw	(75.0W)	110	8,250 LMS
L7	7 Rw	(87.5W)	110	9,625 LMS
L8	8 Rw	(100W)	110	11,000 LMS
<b>SSF24-SSG24-SSS24</b>				
<b>SCF24-SCG24-SCS24:</b>				
L2	2 Rw	(50.0W)	110	5,500 LMS
L3	3 Rw	(75.0W)	110	8,250 LMS
L4	4 Rw	(100W)	110	11,000 LMS
L5	5 Rw	(125W)	110	13,750 LMS
L6	6 Rw	(150W)	110	16,500 LMS
L7	7 Rw	(175W)	110	19,625 LMS
L8	8 Rw	(200W)	110	22,000 LMS
* TAKE AN ADDITIONAL 20% OFF DELIVERED LUMENS WHEN SPECIFYING THE LC3 LENS				