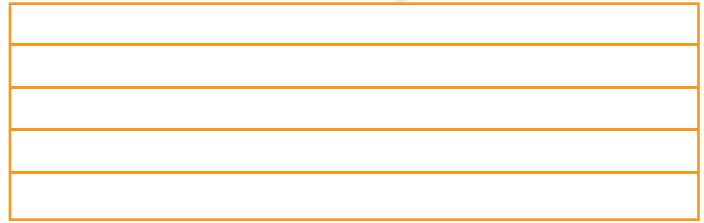


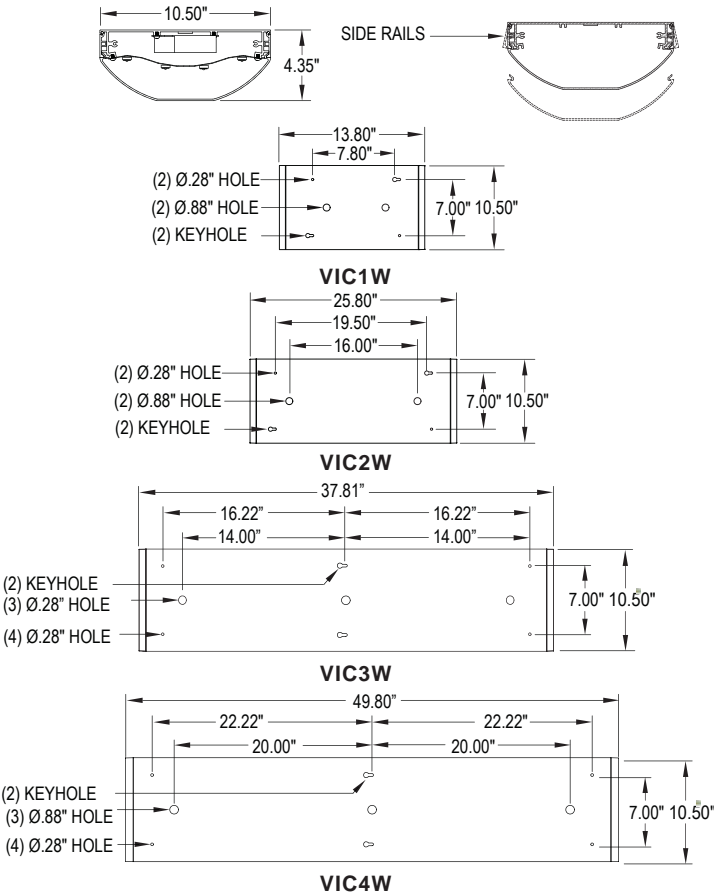
# VICTORY 1-2-3-4 W

## HIGH ABUSE SERIES

LINEAR LUMINAIRE  
LED



### DIMENSIONAL DATA



### FEATURES

The "Victory" provides a real solution to the strength vs. style issue with uncompromising durability and an aesthetically pleasing streamline look. The Victory has a unique side rail design for ease of lens removal allowing for efficient maintenance and lamp replacement.

- Architectural linear luminaire that melds aesthetics, function and vandal resistance
- Extruded aluminum narrow or wide housing with die cast end caps
- Dimming (0-10V) standard
- Dimming 1% available
- Many options available
- Wet location listed (for covered ceiling only)

### APPLICATION

- Public Areas
- Corridors
- Walls
- Stairways
- Schools
- Underpasses
- Public Washrooms
- Dormitories
- Factories
- Warehouses

### SPECIFICATION FEATURES

#### HOUSING:

Marine grade extruded aluminum frame with cast aluminum endcaps. Includes knockouts for surface conduit and tandem mounting.

#### DOOR:

Available with either a clear or white polycarbonate ribbed lens.

#### LENS RETENTION:

Unique swing rail design for ease of lens removal for lamp replacement and maintenance

#### LED:

Available in three standard color temperatures 3500°K, 4000°K & 5000°K. Other color temperatures available, consult factory.

#### LED NIGHT LIGHT:

Integrated switch allows light selection at 100%, 70%, 40% and 10% levels.

#### REFLECTOR:

Faceted 22 gauge specular aluminum for maximum rigidity and controlled light distribution.

#### LENS:

Linear ribbed clear and white polycarbonate lens. Two thickness available (standard .09 and .15)

#### GASKET:

EPDM gasketing to prevent water and dust infiltration.

#### FASTENERS:

Phillips flat head screws (3) ea. side - (6) total. (Standard). Other types available

#### FINISH:

5 stage wash and pre-treat, with a white polyester powdercoat finish.

#### LABEL:



VIC2W-L4401-RW



VIC2W-L4401-RC



VIC4W-L4401-RC



VIC4W-L4401-RW

### ORDERING INFORMATION

Product Family	# of Lamps	Lamp Type	Drivers	Lens	Voltage
<b>VIC_</b>					
<b>VIC1W</b> 10-1/2" x 13-13/16" x 4-3/8"	<b>LED 1W:</b> L2=LED 2 Rw(12.5W) L3=LED 3 Rw(18.75W) L4=LED 4 Rw(25.0W)	<b>LED 3W:</b> L2=LED 2 Rw(37.50W) L3=LED 3 Rw(56.25W) L4=LED 4 Rw(75.0W)	<b>LED:</b> 30=White 3000° K 35=White 3500° K 40=White 4000° K 50=White 5000° K Other color temperatures available, please consult factory	<b>RW</b> = Ribbed Wht. Poly. (.09 standard) <b>RC</b> = Ribbed Clr. Poly. (.09 standard) <b>RWC</b> = Ribbed Wht. Poly. (.15 custom) <b>RCC</b> = Ribbed Clr. Poly. (.15 custom)	12 = 120V 27 = 277V 34 = 347V UN = Universal (120V-277)
<b>VIC2W</b> 10-1/2" x 25-13/16" x 4-3/8"	<b>LED 2W:</b> L2=LED 2 Rw(25W) L3=LED 3 Rw(37.5W) L4=LED 4 Rw(50W)	<b>LED 4W:</b> L2=LED 2 Rw(50W) L3=LED 3 Rw(75W) L4=LED 4 Rw(100W)			
<b>VIC3W</b> 10-1/2" x 37-13/16" x 4-3/8"					
<b>VIC4W</b> 10-1/2" x 49-13/16" x 4-3/8"					
<b>Finish</b>	<b>Options</b>				
WH = White CC = Custom Color (specify RAL number)	DM1 = Dimming 1% driver EL1= Emerg. Bat. LED Low EL2= Emerg. Bat. LED High SD2 = Step Dimming Module(50-100%) SD3 = Step Dimming Module(25-50-100%) SD3A=Step Dimming Module(33-66-100%) CM = Corner Mount LN = LED Night Light. Consult factory for available color/temperatures.	FZ= Fuse Holder * OC= Occupancy Sensor DE=Decorative End Caps ■ TH=Torx Head Screws w/ctr. pin S.S NAT =Natorium Finish UST =Unistrut Mounting Plate PM=Pendant Mount PC=Photocell (Flat end cap only) TM=Tandem Mount Option ■			
			Standard (flat) End Cap	Decorative End Cap	
			■ Advise quantity for end row mtg. * Cannot use with universal voltage option		



Notes:  
Specifications and Dimensions are subject to change without notice. For additional options and dimensional details please consult your New Star Lighting Representative. For specific electronic ballast, specify brand and catalog number.

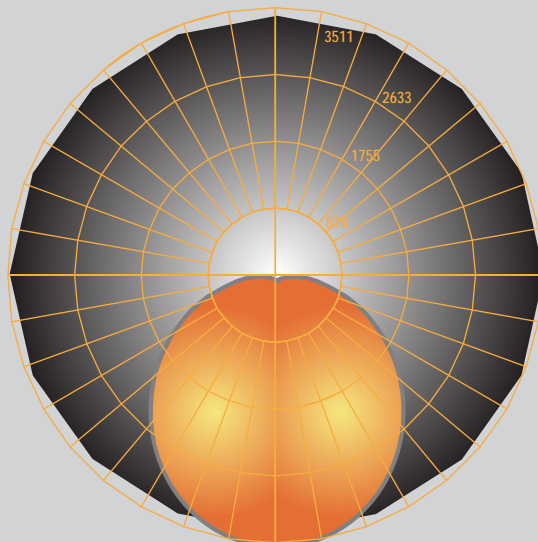
# VICTORY 1-2-3-4 WIDE



FIXTURE LENGTH (FT)	LAMP TYPE	COLOR TEMP.	LENS TYPE	EFFICACY (LM/W)	INPUT POWER (W)	LED LIFE (HRS)	INITIAL DELIVERED ( LUMENS)
VIC1W-L1	LED	5000K	RIBBED (RW)	90	6.25	50,000	565 LMS
VIC1W-L2	LED	5000K	RIBBED (RW)	90	12.5	50,000	1,125 LMS
VIC1W-L3	LED	5000K	RIBBED (RW)	90	18.75	50,000	1,690 LMS
VIC1W-L4	LED	5000K	RIBBED (RW)	90	25.0	50,000	2,250 LMS
VIC1W-L1	LED	5000K	CLEAR (RC)	100	6.25	50,000	650 LMS
VIC1W-L2	LED	5000K	CLEAR (RC)	100	12.5	50,000	1,250 LMS
VIC1W-L3	LED	5000K	CLEAR (RC)	100	18.75	50,000	1,875 LMS
VIC1W-L4	LED	5000K	CLEAR (RC)	100	25.0	50,000	2,500 LMS
VIC2W-L1	LED	5000K	RIBBED (RW)	90	12.5	50,000	1,125 LMS
VIC2W-L2	LED	5000K	RIBBED (RW)	90	25.0	50,000	2,250 LMS
VIC2W-L3	LED	5000K	RIBBED (RW)	90	37.5	50,000	3,375 LMS
VIC2W-L4	LED	5000K	RIBBED (RW)	90	50.0	50,000	4,500 LMS
VIC2W-L1	LED	5000K	CLEAR (RC)	100	12.5	50,000	1,250 LMS
VIC2W-L2	LED	5000K	CLEAR (RC)	100	25.0	50,000	2,750 LMS
VIC2W-L3	LED	5000K	CLEAR (RC)	100	37.5	50,000	3,750 LMS
VIC2W-L4	LED	5000K	CLEAR (RC)	100	50.0	50,000	5,000 LMS
VIC3W-L1	LED	5000K	RIBBED (RW)	90	18.75	50,000	1,695 LMS
VIC3W-L2	LED	5000K	RIBBED (RW)	90	37.50	50,000	3,390 LMS
VIC3W-L3	LED	5000K	RIBBED (RW)	90	56.25	50,000	5,065 LMS
VIC3W-L4	LED	5000K	RIBBED (RW)	90	75.00	50,000	6,750 LMS
VIC3W-L1	LED	5000K	CLEAR (RC)	100	18.75	50,000	1,875 LMS
VIC3W-L2	LED	5000K	CLEAR (RC)	100	37.50	50,000	3,750 LMS
VIC3W-L3	LED	5000K	CLEAR (RC)	100	56.25	50,000	5,625 LMS
VIC3W-L4	LED	5000K	CLEAR (RC)	100	75.00	50,000	7,500 LMS
VIC4W-L1	LED	5000K	RIBBED (RW)	90	25.00	50,000	2,250 LMS
VIC4W-L2	LED	5000K	RIBBED (RW)	90	50.00	50,000	4,500 LMS
VIC4W-L3	LED	5000K	RIBBED (RW)	90	75.00	50,000	6,750 LMS
VIC4W-L4	LED	5000K	RIBBED (RW)	90	100.00	50,000	9,000 LMS
VIC4W-L1	LED	5000K	CLEAR (RC)	100	25.00	50,000	2,500 LMS
VIC4W-L2	LED	5000K	CLEAR (RC)	100	50.00	50,000	5,000 LMS
VIC4W-L3	LED	5000K	CLEAR (RC)	100	75.00	50,000	7,500 LMS
VIC4W-L4	LED	5000K	CLEAR (RC)	100	100.00	50,000	10,000 LMS

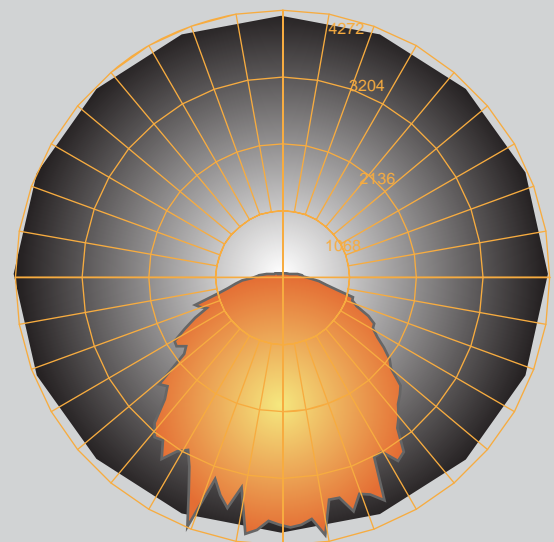
- \* FOR 4000° TEMP. MULT LUMENS VALUES BY (.98)
- \* FOR 3500° TEMP. MULT LUMENS VALUES BY (.96)
- \* FOR 3000° TEMP. MULT LUMENS VALUES BY (.94)

VIC4W-L4502-RW-WH-UN



Maximum Candela = 3510.78 Located At Horizontal Angle = 0, Vertical Angle = 2.5  
 # 1 - Vertical Plane Through Horizontal Angles (0 - 180) (Through Max. Cd.)  
 # 2 - Vertical Plane Through Horizontal Angles (25 - 205)  
 # 3 - Horizontal Cone Through Vertical Angle (2.5) (Through Max. Cd.)

VIC4W-L4502-RC-WH-UN



Maximum Candela = 4272.436 Located At Horizontal Angle = 157.5, Vertical Angle = 20  
 # 1 - Vertical Plane Through Horizontal Angles (157.5 - 337.5) (Through Max. Cd.)  
 # 2 - Vertical Plane Through Horizontal Angles (25 - 205)  
 # 3 - Horizontal Cone Through Vertical Angle (0)