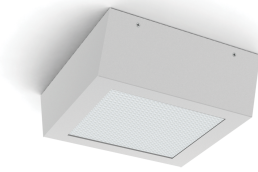


# 53L11-53L12-53L14

## CONFINEMENT SERIES

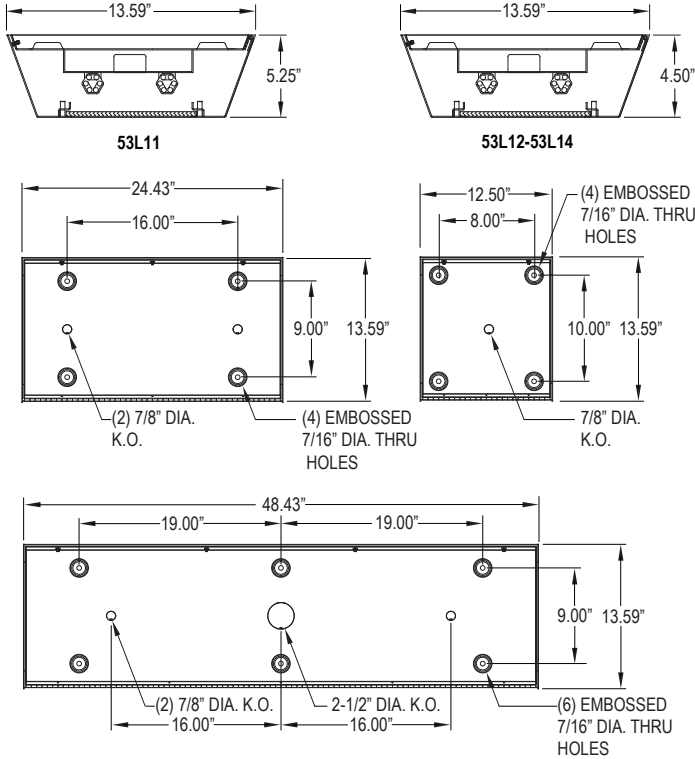
SURFACE LUMINAIRE

CLAMSHELL DESIGN FOR MIN. TO SUPERMAX SECURITY  
FLUORESCENT



PROJECT
TYPE:
PRODUCT
APPROVED
DATE:

### DIMENSIONAL DATA



### FEATURES

The New Star 53L11-53L12-57L14 " Confinement clamshell fixture is designed for security application where recessing is not possible or where surface mounting is desired.

- 18-12 gauge die formed steel or stainless steel nonclam shell housing with full length continuous staked piano hinge with welded end.
- Sloped side design increases strength and durability
- Maximum to super maximum security application
- Wide variety of lens options held in place with Z-Channel and weld studs
- Torx head center pin screws standard
- Black neoprene gasket around door frame to prevent light leaks
- Clamshell design incorporates a contraband drop slot gap between the ceiling and the back of fixture
- Optional wet location

### APPLICATION

- Confinement
- Psychiatric Wards
- Detention Centers
- Public Housing Complexes
- Transportation Applications
- Athletic Facilities
- Locker Rooms

### SPECIFICATION FEATURES

#### HOUSING:

Die formed, seam welded and ground smooth (specify material and gauge). Incorporates a removable reflector unitized with all electrical components for easy installation and maintenance.

#### BACKPLATE:

Die formed with contraband drop slot and embossed mounting holes(materials and gauge to match housing). Security caulking between ceiling and fixture is not required with this back plate design.

#### HINGE:

16 gauge full length continuous, staked piano hinge, with welded ends. to prevent removal (material to match housing).

#### LENS / LENS RETENTION:

Lens per specification (see options) and secured by "Z" retainers with weld studs spaced six inches apart for maximum strength.

#### LED NIGHT LIGHT:

Integrated switch allows light selection at 100%,70%,40% and 10% levels

#### GASKET:

Black neoprene gasket around door frame to prevent light leaks

#### FASTENERS:

Tamper resistant countersunk, flat head Torx screws with center pin reject

#### FINISH:

White powdercoat finish following an iron phosphate pre-treatment.

#### LABEL:



### ORDERING INFORMATION

Product Family	Gauge	# of Lamps	Lamp Type	# of Ballasts
<b>53L_</b>	-	-		
<b>53L11</b> 13-5/8" x 12-1/2" x 5-1/4"	A = 12 Ga. CRS B = 14 Ga. CRS C = 16 Ga. CRS D = 18 Ga. CRS	G = 18 Ga. SS (Brushed) H = 14 Ga. SS (Painted)	<b>53L11</b> 1 = 1 Lamp 2 = 2 Lamp <b>53L12-53L14</b> 1 = 1 Lamp 2 = 2 Lamp 3 = 3 Lamp	<b>53L11</b> 26 = 26W Triple Gx24q-3 6Q = 26W Quad G24q-3 32 = 32W Triple Gx24q-3 42 = 42W Triple Gx24q-4
<b>53L12</b> 13-5/8" x 24-1/2" x 4-1/2"	E = 14 Ga. SS (Brushed) F = 16 Ga. SS (Brushed)	J = 16 Ga. SS (Painted) K = 18 Ga. SS (Painted)	<b>53L12</b> 17 = Linear 17W T8 14 = Linear 14W T5 24 = Linear 24W T5 HO 40 = 40 Twin 2Gx11 ( 2 Lamp only )	<b>53L14</b> 32 = 32W T8 28 = 28W T5 54 = 54W T5 HO
<b>53L14</b> 13-5/8" x 48-1/2" x 4-1/2"				1 = 1 Ballast 2 = 2 Ballast

Outer Lens	Inner Lens	Voltage	Options
-	/	-	-

- Ø = No Lens
- A = .125 Clear Poly.
- B = .156 Clear Poly.
- 1 = .187 Clear Poly.
- 2 = .250 Clear Poly.
- 3 = .375 Clear Poly.
- 4 = .500 Clear Poly.
- 5 = .187 Clear Temp.Glass
- 6 = .250 Clear Temp.Glass
- 7 = .375 Clear Temp.Glass<sup>^</sup>
- 8 = .500 Clear Temp.Glass<sup>^</sup>
- 9 = .750 Clear Temp.Glass<sup>^</sup>

- Ø = No Lens
- A = .125 Pris. Acrylic
- B = .125 Pris. Poly.
- C = .156 Pris. Poly.
- D = .187 Pris. Poly.
- E = .156 Pris. Temp. Glass
- F = .156 Pris. Acrylic
- G = .140 DR Acrylic

- 12 = 120V
- 27 = 277V
- 34 = 347V
- UN = Universal (120V-277V)

- DB = Ballast: Dimming (0-10V) \*
- E1 = Emerg.Ballast (450 Lumens) \* ◀
- E2 = Emerg.Ballast (1350 Lumens) \* ◀
- PR = Program. Rapid Start Ballast
- AH = Allenhead Screws with center pin reject
- NL = Fluorescent Night Light \*
- LN = LED Night Light. Consult factory for available color /temperatures.
- FZ = Fuse Holder \*
- WL = Wet Location
- UV = .005 UV Absorbing Overlay

<sup>^</sup> Must Use 12 or 14 Gauge Frame  
\* Cannot use with universal voltage option  
◀ Consult factory for T5 availability

■ Consult factory for lamp-ballast options  
♦ Two lamps not available with Emergency Ballast

Notes:  
Specifications and Dimensions are subject to change without notice. For additional options and dimensional details please consult your New Star Lighting Representative. For specific electronic ballast, specify brand and catalog number.

