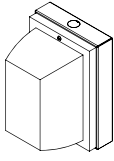


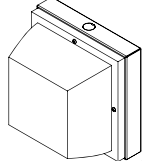
NS 20-30-40

HIGH ABUSE SERIES

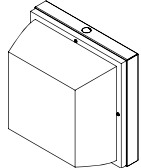
SURFACE LUMINAIRE
FLUORESCENT / LED INCANDESCENT



20



30

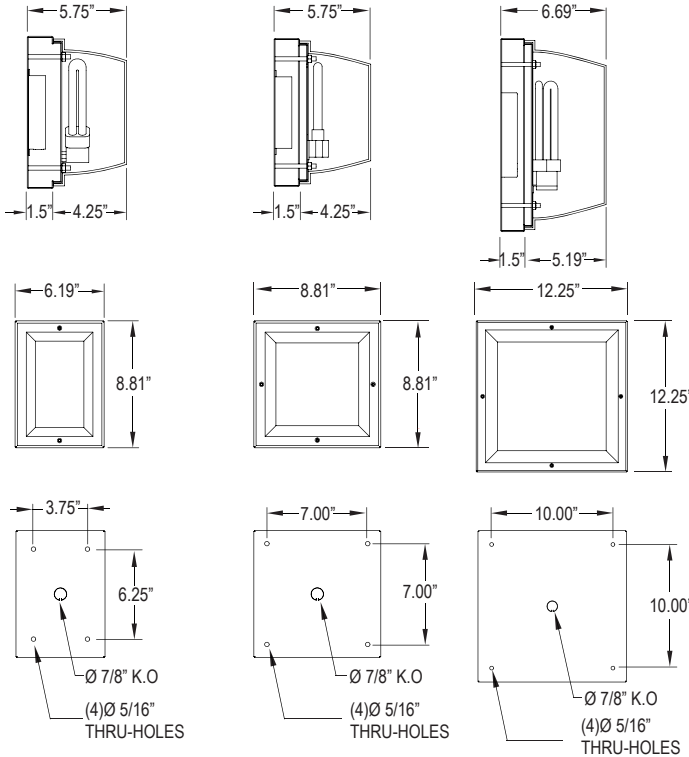


40



Made in America

DIMENSIONAL DATA



PROJECT:
TYPE:
PRODUCT:
APPROVED:
DATE:

FEATURES

The New Star "NS20-NS30-NS40" High Abuse fixture is an economical solution for areas prone to vandalism

- Enclosed, shatter proof injection molded polycarbonate diffuser secure to heavy gauge steel backplate with stainless tamper proof screws
- Gasketing included
- Wet location listed

APPLICATION

- Apartment Buildings
- School Campuses
- Public Housing Complexes
- Transportation Terminals
- Utility Corridors
- Hotels
- Locker Rooms
- Detention Centers
- Military Barracks
- Hospitals
- Public Washrooms
- Park Field Houses

SPECIFICATION FEATURES

HOUSING:

Constructed of 16 gauge cold rolled steel and finished in high reflectance white oven baked polyester powdercoat.

LENS / DIFFUSER:

Injection molded .125" thick (nominal) clear prismatic polycarbonate.

REFLECTOR:

White finished cold rolled steel,

ELECTRONICS:

Fluorescent
Electronic Ballast <10% THD standard.
Lamps by others.

LED:

High power, class 2, LED module available in 3500K, 4000K, and 5000K. HPF LED driver, 120V-277V standard

GASKET:

Black neoprene gasket around lens to prevent water and dust infiltration.

FASTENERS:

Stainless Steel Tamper resistant Torx head screws with center pin reject

LABEL:



ORDERING INFORMATION

Product Family	# of Fasteners	Mounting	# of Lamps	Lamp Type
NS_				
NS20 8-13/16" x 6-3/16" x 5-3/4"	2 = 2 Tamper proof screws	WA = Wall Mt. CE = Ceiling Mt.	Fluorescent : 1 = 1 Lamp 2 = 2 Lamp LED: L1= (30W)	Fluorescent NS20: 1 Lamp 7TW = 7W Twin G-23 9TW = 9W Twin G-23 13TW = 13W Twin Gx23 13E = 13W Twin 2Gx7 13 = 13W Triple Gx24q-1 13Q = 13W Quad G24q-1 18 = 18W Triple Gx24q-2 18Q = 18W Quad G24q-2 26 = 26W Triple Gx24q-3 26Q = 26W Quad G24q-3 32 = 32W Triple Gx24q-3 42 = 42W Triple Gx24q-4 Incandescent: 100 = 100W A-19 E26 Med
NS30 8-13/16" x 8-13/16" x 5-3/4"	4 = 4 Tamper proof screws			Fluorescent NS30: 1 Lamp 7TW = 7W Twin G-23 9TW = 9W Twin G-23 13TW = 13W Twin Gx23 13E = 13W Twin 2Gx7 13 = 13W Triple Gx24q-1 13Q = 13W Quad G24q-1 18 = 18W Triple Gx24q-2 18Q = 18W Quad G24q-2 26 = 26W Triple Gx24q-3 26Q = 26W Quad G24q-3 32 = 32W Triple Gx24q-3 42 = 42W Triple Gx24q-4 Incandescent: 100 = 100W A-19 E26 Med
NS40 12-1/4" x 12-1/4" x 6-11/16"				Fluorescent NS40: 1-2 Lamps 7TW = 7W Twin G-23 9TW = 9W Twin G-23 13TW = 13W Twin Gx23 13E = 13W Twin 2Gx7 13 = 13W Triple Gx24q-1 13Q = 13W Quad G24q-1 18 = 18W Triple Gx24q-2 18Q = 18W Quad G24q-2 26 = 26W Triple Gx24q-3 26Q = 26W Quad G24q-3 32 = 32W Triple Gx24q-3 42 = 42W Triple Gx24q-4 Incandescent: 100 = 100W A-19 E26 Med
Voltage		Options		
12 = 120V 27 = 277V 34 = 347V UN = Universal (120V-277V)		PC = Photocell (wall mount option only) CW = Cold Weather Ballast (-30°C)		

- Consult factory for lamp-ballast options
Not available with LED option
- Available in 2 lamp

