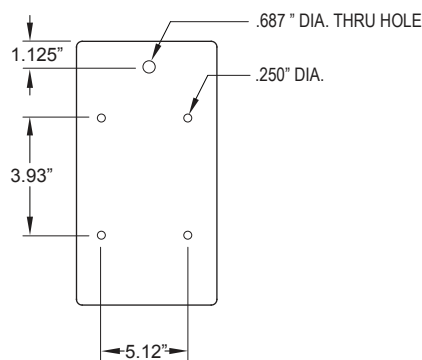
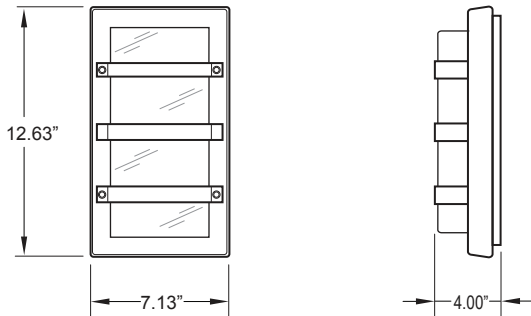


TRIO
VR ARCHITECTURAL SERIES
SURFACE LUMINAIRE
FLUORESCENT/LED



PROJECT
TYPE:
PRODUCT
APPROVED
DATE:

DIMENSIONAL DATA



FEATURES

The New Star "Trio" is an architectural fixture that offers an innovative solution for upscale smart illumination without compromising strength

- Design orientation luminaire delivering protection against vandalism
- Die cast aluminum housing and face plate for durability and stability in the harshest of enviroments.
- Dust/splash proof and rugged enough for demanding situations
- Many lamp options available
- IP65 Rated

APPLICATION

- Public Areas
- Schools
- Hospitality
- Exterior Wall
- Corridors/Stairways
- Underpasses

SPECIFICATION FEATURES

HOUSING:

Die cast, one piece in low copper, high magnesium marine application aluminum alloy.

LENES:

UV stabilized white opal polycarbonate.

ELECTRONICS:

Fluorescent:
Electronic Ballast <10% THD standard.

LED:

9.6W on 2 LED modules. Available in three color temperatures (3500° K, 4000° K& 5000° K).

REFLECTOR:

.40" thick white aluminum for high reflectivity.
- for LED Aluminum reflector to serve as heat sink and unitized with electrical components.

GASKET:

An injection molded, continuous piece silicone rubber gasket to prevent infiltration.

FASTENERS:

Allen head screws (without center pin) - standard.

FINISH:

Extremely durable oven baked polyester powdercoat following a 5 stage iron phosphate pre-treatment in Black or White.

LABEL:



ORDERING INFORMATION

Product Family	# of Lamps/Lamp Type	Voltage	Finish	Options
NWTRI				
NWTRI 12-5/8" x 7-1/8" x 4"	1 = 1 Lamp 2 = 2 Lamp 7TW = 7W Twin G-23 9TW = 9W Twin G-23 13TW = 13W Twin Gx23 13E = 13W Twin 2Gx7 13 = 13W Triple Gx24q-1 13Q = 13W Quad G24q-1 18 = 18W Triple Gx24q-2 18Q = 18W Quad G24q-2 26 = 26W Triple Gx24q-3 26Q = 26W Quad G24q-3 32 = 32W Triple Gx24q-3 42 = 42W Triple Gx24q-4 LED: L35 = 3500°K L40 = 4000°K L50 = 5000°K	12 = 120V 27 = 277V 34 = 347V UN = Universal (120V-277V)	BK = Black WH = White BZ = Bronze PA = Painted Aluminum	EM = Ballast: Emergency* ♦ (300-750 Lumens) EML= Emergency Battery * ♦ LED (must be remote) TH = Torx Head Screws * Cannot use with UN voltage option ♦ Remote mount only • Not available in 347V