

NS 72-73-74

VR ARCHITECTURAL SERIES

DARK SKY LUMINAIRE

FLUORESCENT



NS72

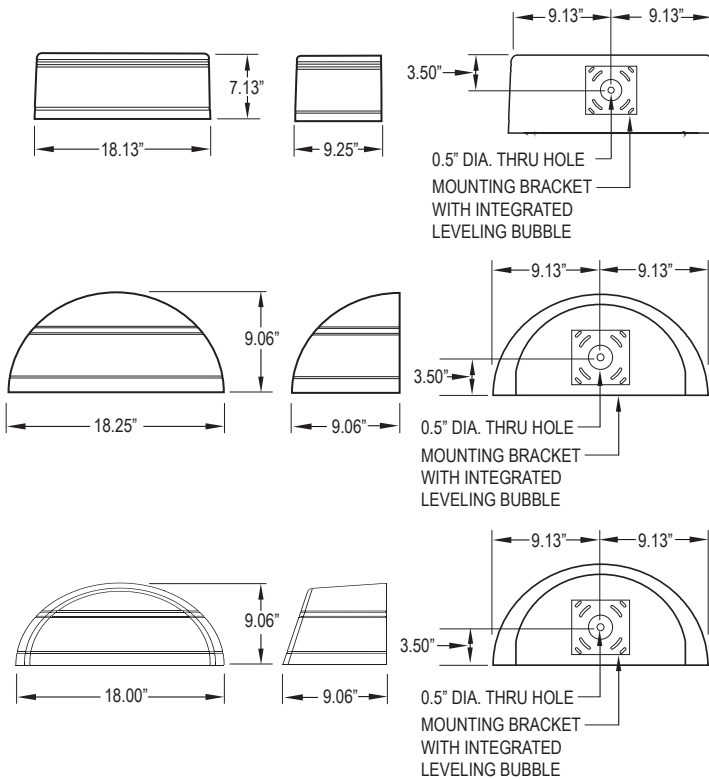


NS73



NS74

DIMENSIONAL DATA



PROJECT
TYPE:
PRODUCT
APPROVED
DATE:

FEATURES

The New Star "NS72-NS73-NS74" is a line of dark sky fixtures that reduce the adverse effect of artificial light including sky glow, glare, light trespass, light clutter, night visibility and energy waste

- Design orientation cast aluminum luminaire for vandal resistance
- Dark Sky cut off luminaire
- "Simple mount system" easy installation

APPLICATION

- Public Areas
- Parking Structures
- Hospitality

SPECIFICATION FEATURES

HOUSING:

Heavy-duty die-cast aluminum construction with removable door frame.

LENS:

Heat and impact resistant tempered glass lens.

BALLAST:

Electronic for CFL.

REFLECTOR:

One piece high reflectance aluminum designed reflector for desired light efficiency.

GASKET:

Silicone rubber gasket included to prevent any leakage.

FINISH:

Dark architectural bronze powder coat.

OPTICAL SYSTEM:

Three optic solutions are available, forward throw and wide throw.

LABEL:



ORDERING INFORMATION

Product Family	# of Lamps	Lamp Type	Voltage	Throw	Options
NS_					
NS72 9-1/4" x 18-1/8" x 7-1/8"	1 = Lamp 2 = Lamp	26Q = 26W Quad G24q-3 32 = 32W Triple Gx24q-3 42 = 42W Triple Gx24q-4	12 = 120V 27 = 277V 34 = 347V UN = Universal (120V-277V)	FT = Forward Throw WT = Wide Throw UD = Up and Down Throw	EM = Ballast: Emergency * ♦ ♦ (300-750 Lumens, must be remote) FZ = Fuse & Holder
NS73 9-1/16" x 18-1/4" x 9-1/16"					
NS74 9-1/16" x 18" x 9-1/16"					

- * Cannot use with UN voltage option
- ♦ Remote mount only
- Not available in 347V



Notes:

Specifications and Dimensions are subject to change without notice. For additional options and dimensional details please consult your New Star Lighting Representative. For specific electronic ballast, specify brand and catalog number. The New Star Promise will repair or replace any VR architectural fixture when installed according to New Star's instructions for the life of the original installation if the fixture should fail due to physical abuse.

