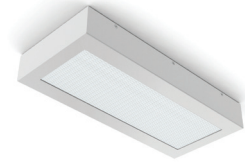


33M SERIES LED

33MN2/33MN4/33MW2/33MW4

SPECIFICATION FEATURES

- HOUSING:** Die formed, seam welded, and ground smooth cold rolled steel or stainless steel clamshell design. Incorporates a removable reflector unitized with all electrical components for easy installation and maintenance. Clamshell design incorporates a contraband drop slot gap between the ceiling and back of fixture.
- BACKPLATE:** Die formed with contraband drop slot and embossed mounting holes (material to match housing). Security caulking between ceiling and fixture is not required with this backplate design.
- HINGE:** 16 gauge full length continuous, staked piano hinge with welded ends to prevent removal (material to match housing).
- LENS:** Outer and Inner lens options secured by "Z" retainers with weld studs spaced six inches apart for maximum strength.
- LED:** Available in three color temperatures 3500°K, 4000°K and 5000°K. Other color temperatures available, consult factory. Standard 0-10V driver provided. Optional dimming function (DM) with 10-100% range.
- FASTENERS:** Tamper resistant countersunk flat head Torx screws with center pin reject.
- FINISH:** White powder coat finish following iron phosphate pre-treatment.
- GASKET:** Black neoprene gasket around door frame to prevent light leaks.



APPLICATION:
Minimum to Supermax Confinement, Psychiatric Wards, Public Housing, Detention Centers, Transportation, Athletic Facilities, and more.

MOUNTING:
Surface installation.

LABEL:
Fixture is certified to UL standards.



ORDERING INFORMATION

Ex: 33MW2-A-L2401-A/C-UN

PRODUCT FAMILY	STYLE	NOMINAL SIZE <small>*Dimensional Data Pg. 2</small>	GAUGE	LUMEN™ OUTPUT <small>*Performance Data Pg. 2</small>	LAMP TYPE
33M	W = Wide N = Narrow	2 = 2ft. 4 = 4ft.	A = 12Ga. CRS B = 14Ga. CRS C = 16Ga. CRS D = 18Ga. CRS E = 14Ga. SS (Brushed) F = 16Ga. SS (Brushed) G = 18Ga. SS (Brushed) H = 14Ga. SS (Painted) J = 16Ga. SS (Painted) K = 18Ga. SS (Painted)	Wide (W): L1 = Low L2 = Standard L3 = High Narrow (N): L2 = Standard	35 = 3500°K 40 = 4000°K 50 = 5000°K
CIRCUITS	OUTER LENS	INNER LENS	VOLTAGE	OPTIONS	
1 = 1 Circuit 2 = 2 Circuits	0 = No Lens A = .125 Clear Poly. B = .156 Clear Poly. 1 = .187 Clear Poly. 2 = .250 Clear Poly. 3 = .375 Clear Poly. 5 = .187 Clear Temp. Glass 6 = .250 Clear Temp. Glass 7 = .375 Clear Temp. Glass ^	0 = No Lens A = .125 Prismatic Acrylic B = .125 Prismatic Poly. C = .156 Prismatic Poly. D = .187 Prismatic Poly. E = .156 Prismatic Temp. Glass F = .156 Prismatic Acrylic G = .140 DR Acrylic LC3 = .125 White Frosted Poly.	12 = 120V 27 = 277V 34 = 347V UN = Universal (120V-277V)	FZ* WL LN UV AH DM EL1 EL2	

KEY

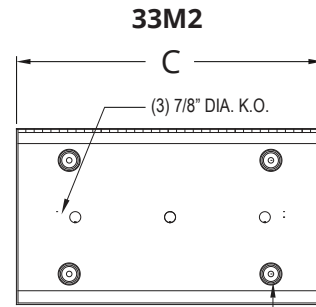
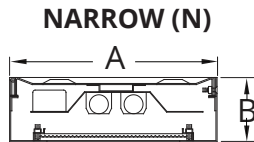
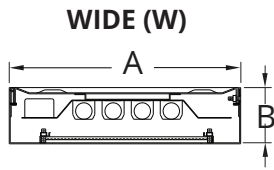
FZ = Fuse*
WL = Wet Location
LN = LED Night Light. Integrated switch allows light levels at 100%, 70%, 40%, and 10% levels.

UV = .005 UV Absorbing Overlay
AH = Allenhead Scres with center pin reject
DM = 0-10V dimming with 10-100% range.
Dimming wires will be extended outside of fixture.
EL1 = Emergency Batt. Low
EL2 = Emergency Batt. High

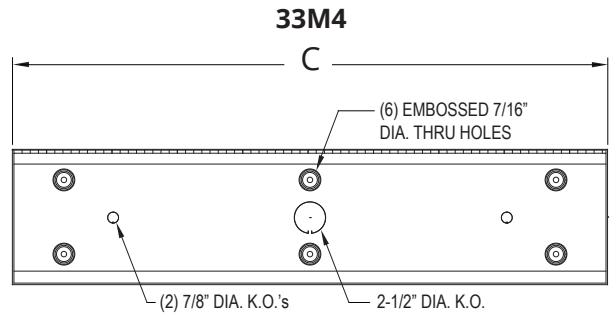
* Cannot use with UN voltage
.. Subject to change
^ Must use with 12Ga. or 14Ga. Frame

Notes:
Specifications and Dimensions are subject to change without notice.
For additional options and dimensional details please consult your New Star Lighting Representative.

DIMENSIONAL DATA



33W2: (6) EMBOSSED 7/16" DIA. THRU HOLES
 33N2: (4) EMBOSSED 7/16" DIA. THRU HOLES



	A	B	C
33MN2	11"	3.38"	24.62"
33MN4	11"	3.38"	48.5"
33MW2	14"	3.38"	24.6"
33MW4	14"	3.38"	48.5"

PERFORMANCE DATA

MODEL	OUTPUT	LAMP TYPE	LUMENS DELIVERED	EFFICACY (lm/W)	INPUT POWER (W)
33MN2	Standard	3500°K	2875	115	25
		4000°K	3000	120	25
		5000°K	3125	125	25
33MN4	Standard	3500°K	5750	115	50
		4000°K	6000	120	50
		5000°K	6250	125	50
33MW2	Low	3500°K	1438	115	12.5
		4000°K	1500	120	12.5
		5000°K	1563	125	12.5
	Standard	3500°K	2875	115	25
		4000°K	3000	120	25
		5000°K	3125	125	25
	High	3500°K	4180	110	38
		4000°K	4370	115	38
		5000°K	4560	120	38
33MW4	Low	3500°K	2875	115	25
		4000°K	3000	120	25
		5000°K	3125	125	25
	Standard	3500°K	5750	115	50
		4000°K	6000	120	50
		5000°K	6250	125	50
	High	3500°K	8250	110	75
		4000°K	8625	115	75
		5000°K	9000	120	75

Notes:
 Specifications and Dimensions are subject to change without notice.
 For additional options and dimensional details please consult your New Star Lighting Representative.

33M SERIES FLUORESCENT

33MN2/33MN4/33MW2/33MW4

SPECIFICATION FEATURES

- HOUSING:** Die formed, seam welded, and ground smooth cold rolled steel or stainless steel clamshell design. Incorporates a removable reflector unitized with all electrical components for easy installation and maintenance. Clamshell design incorporates a contraband drop slot gap between the ceiling and back of fixture.
- BACKPLATE:** Die formed with contraband drop slot and embossed mounting holes (material to match housing). Security caulking between ceiling and fixture is not required with this backplate design.
- HINGE:** 16 gauge full length continuous, staked piano hinge with welded ends to prevent removal (material to match housing).
- LENS:** Outer and Inner lens options secured by "Z" retainers with weld studs spaced six inches apart for maximum strength.
- ELECTRONICS:** Electronic Ballast <10% THD standard. RIF available. Lamps by others.
- FASTENERS:** Tamper resistant countersunk flat head Torx screws with center pin reject.
- FINISH:** White powder coat finish following iron phosphate pre-treatment.
- GASKET:** Black neoprene gasket around door frame to prevent light leaks.



APPLICATION:

Minimum to Supermax Confinement, Psychiatric Wards, Public Housing, Detention Centers, Transportation, Athletic Facilities, and more.

MOUNTING:

Surface installation.

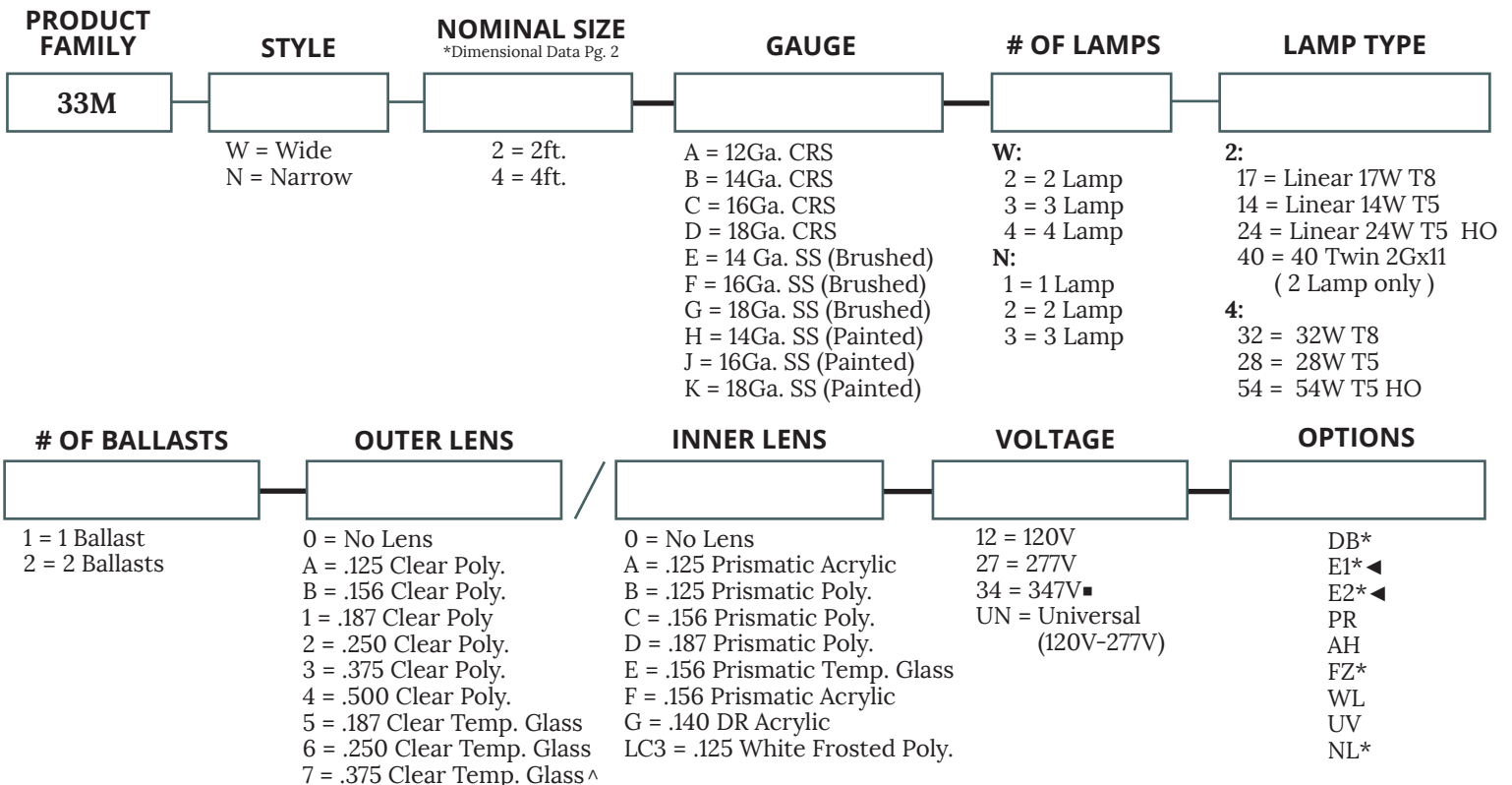
LABEL:

Fixture is certified to UL standards.



ORDERING INFORMATION

Ex: 33MW2-A-2401-A/C-UN



KEY

DB = Dimming Ballast (0-10V)*
E1 = Emerg. Ballast (450lm)* ◀
E2 = Emerg. Ballast (1350lm)* ◀
PR = Program Rapid Start

AH = Allenhead Scres with center pin reject
FZ = Fuse*
WL = Wet Location
UV = .005 UV Absorbing Overlay
NL = Night Light*

* Cannot use with UN voltage
^ Must use with 12Ga. or 14Ga. Frame
◀ Consult factory for T5 availability
■ Consult factory for lamp-ballast options

Notes:
Specifications and Dimensions are subject to change without notice.
For additional options and dimensional details please consult your New Star Lighting Representative.

33M SERIES FLUORESCENT

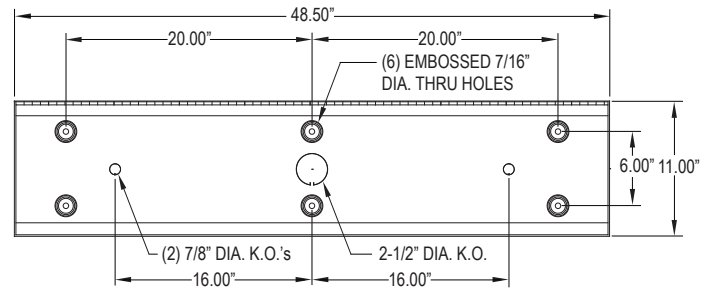
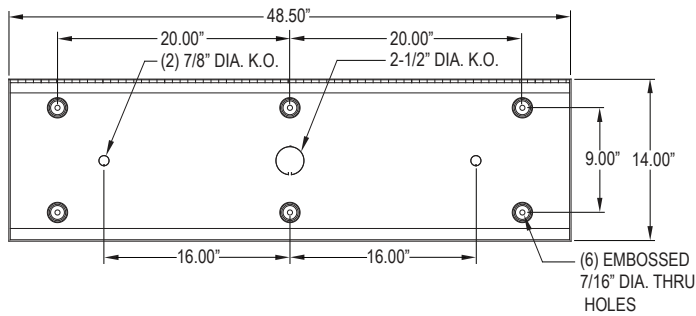
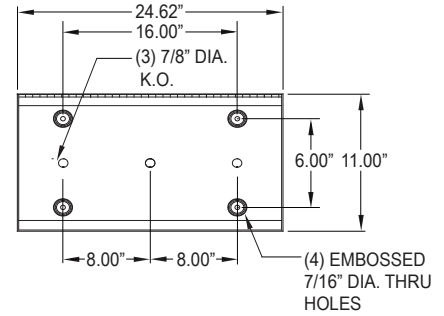
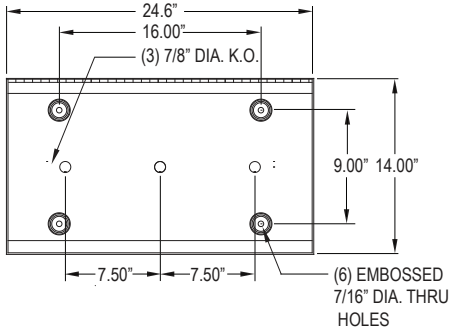
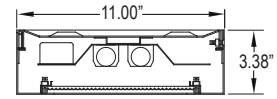
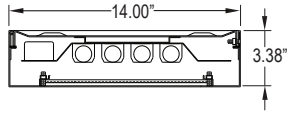
33MN2/33MN4/33MW2/33MW4



DIMENSIONAL DATA

WIDE (W)

NARROW (N)



Notes:
 Specifications and Dimensions are subject to change without notice.
 For additional options and dimensional details please consult your New Star Lighting Representative.