

37M12-37M14

CONFINEMENT SERIES

FLANGE LUMINAIRE

MINIMUM TO MAXIMUM SECURITY

FLUORESCENT/LED

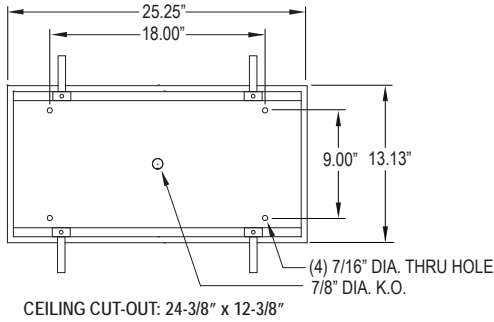
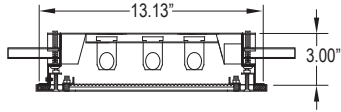


Made in America

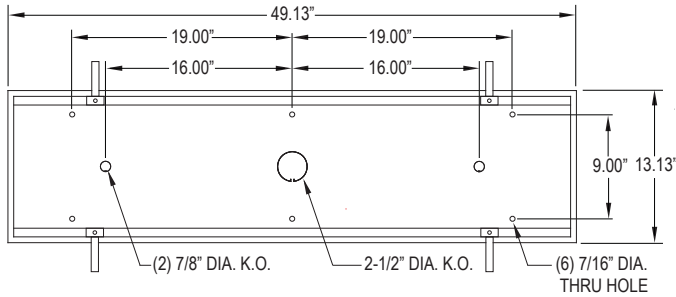


PROJECT:
TYPE:
PRODUCT:
APPROVED:
DATE:

DIMENSIONAL DATA



CEILING CUT-OUT: 24-3/8" x 12-3/8"



CEILING CUT-OUT: 48-3/8" x 12-3/8"

FEATURES

The New Star™ 37M12-37M14™ Confinement flange fixture is designed for application in ressed drywall ceiling with a low profile energy and material saving design.

- 18-14 gauge cold rolled or stainless steel
- 16 gauge full length continuous staked piano hinge with welded ends
- Wide variety of lens options held in place with z-Channel and weld studs
- Swing arm mounting system for easy installation
- Optional plaster frame yoke assembly available
- Torx head center pin screws standard
- Black neoprene gasket around interior door frame to prevent light leaks.
- Optional wet location

APPLICATION

- Confinement
- Psychiatric Wards
- Detention Centers
- Public Housing Complexes
- Transportation Applications
- Athletic Facilities
- Locker Rooms

SPECIFICATION FEATURES

HOUSING:

Die formed, seam welded, and ground smooth (specify material and gauge). Incorporates a removable reflector unitized with all electrical components for easy installation and maintenance.

FRAME:

Die formed one-piece frame with tightly closed corners. (material and gauge to match housing).

HINGE:

16 gauge full length continuous, staked piano hinge, with welded ends. to prevent removal (material to match housing).

LENS / LENS RETENTION:

Lens per specification (see options) and secured by "Z" retainers with weld studs spaced six inches apart for maximum strength.

ELECTRONICS:

Fluorescent:
Electronic Ballast <10% THD standard. RIF available. Lamps by others.

LED:

Available in three standard color temperatures 3500°K, 4000°K & 5000°K. Other color temperatures available, consult factory.

LED NIGHT LIGHT:

Integrated switch allows light selection at 100%, 70%, 40% and 10% levels

GASKET:

Black neoprene gasket around interior door frame to prevent light leaks.

FASTENERS:

Tamper resistant countersunk, flat head Torx screws, with center pin reject

FINISH:

White powdercoat finish following an iron phosphate pre-treatment.

INSTALLATION:

Easy installation with adjustable 90° swing arm system standard.

LABEL:



ORDERING INFORMATION

Product Family	Housing	Frame	# of Lamps	Lamp Type	# of Ballasts/Drivers
37M					

37M12 13-1/8" x 25-1/4" x 3"	A = 12 Ga. CRS B = 14 Ga. CRS C = 16 Ga. CRS D = 18 Ga. CRS E = 14 Ga. SS F = 16 Ga. SS G = 18 Ga. SS	H = 14 Ga. SS (Painted) J = 16 Ga. SS (Painted) K = 18 Ga. SS (Painted)	A = 12 Ga. CRS B = 14 Ga. CRS C = 16 Ga. CRS E = 14 Ga. SS F = 16 Ga. SS	H = 14 Ga. SS (Painted) J = 16 Ga. SS (Painted) (Brushed) (Brushed)	Fluorescent: LED 37M12: 37M12-37M14 L2 = LED 2 Rw (25W) 1 = 1 Lamp L3 = LED 3 Rw (37.5W) 2 = 2 Lamp LED 37M14: 3 = 3 Lamp L2 = LED 2 Rw (50W) L3 = LED 3 Rw (75W)	37M12 17 = Linear 17W T8 14 = Linear 14W T5 24 = Linear 24W T5 HO 40 = 40 Twin 2Gx11 LED: (2 lamp only)	37M14 32 = 32W T8 28 = 28W T5 54 = 54W T5 HO 35 = White 3500°K 40 = White 4000°K 50 = White 5000°K	Fluorescent: 1 = 1 Ballast 2 = 2 Ballast	LED: 1 = Driver 2 = Driver
---------------------------------	---	--	--	--	--	---	---	--	----------------------------------

Outer Lens	Inner Lens	Voltage	Options

Ø = No Lens
A = .125 Clear Poly.
B = .156 Clear Poly.
1 = .187 Clear Poly.
2 = .250 Clear Poly.
3 = .375 Clear Poly.
5 = .187 Clear Temp. Glass
6 = .250 Clear Temp. Glass
7 = .375 Clear Temp. Glass ^

Ø = No Lens
A = .125 Pris. Acrylic
B = .125 Pris. Poly.
C = .156 Pris. Poly.
D = .187 Pris. Poly.
E = .156 Pris. Temp. Glass
F = .156 Pris. Acrylic
G = .140 DR Acrylic
LC3 = .125 White Frosted Polycarbonate

12 = 120V
27 = 277V
34 = 347V
UN = Universal (120V-277V)

DB = Ballast: Dimming (0-10V) *
E1 = Emerg. Ballast (450 Lumens) *
E2 = Emerg. Ballast (1350 Lumens) *
PR = Program. Rapid Start Ballast
AH = Allenhead Screws with center pin reject
NL = Fluorescent Night Light *
LN = LED Night Light. Consult factory for available color /temperatures.
FZ = Fuse Holder *
WL = Wet Location
UV = .005 UV Absorbing Overlay
PF = Plaster Frame & Yolk
CB = Cross Bar

^ Must Use 12 or 14 Gauge Frame
* Cannot use with universal voltage option

◀ Consult factory for T5 availability
■ Consult factory for lamp-ballast options

◆ Not available in LED

Notes:

Specifications and Dimensions are subject to change without notice. For additional options and dimensional details please consult your New Star Lighting Representative. For specific electronic ballast, specify brand and catalog number.



www.newstarlighting.com

New Star - 4000 S. Bell St. - Chicago, IL 60609 - TEL (773) 847-1400 - FAX (773) 254-6811 - V013