

53 SERIES LED

5322/5324

SPECIFICATION FEATURES

- HOUSING:** Die formed, seam welded, and ground smooth cold rolled steel or stainless steel non-clamshell design. Incorporates a removable reflector unitized with all electrical components for easy installation and maintenance.
- FRAME:** Die formed one-piece frame with tightly closed corners (material and gauge to match housing).
- HINGE:** 16 gauge full length continuous, staked piano hinge with welded ends to prevent removal (material to match housing).
- LENS:** Outer and Inner lens options secured by "Z" retainers with weld studs spaced six inches apart for maximum strength.
- LED:** Available in three color temperatures 3500°K, 4000°K and 5000°K. Other color temperatures available, consult factory. Standard 0-10V driver provided. Optional dimming function (DM) with 10-100% range.
- FASTENERS:** Tamper resistant countersunk flat head Torx screws with center pin reject.
- FINISH:** White powder coat finish following iron phosphate pre-treatment.
- GASKET:** Black neoprene gasket around door frame to prevent light leaks.



APPLICATION:

Minimum to Supermax Confinement, Psychiatric Wards, Public Housing, Detention Centers, Transportation, Athletic Facilities, and more.

MOUNTING:

Surface installation.

LABEL:

Fixture is certified to UL standards.



ORDERING INFORMATION

Ex: 5322-A-L2401-0/C-UN

PRODUCT FAMILY	NOMINAL SIZE <small>*Dimensional Data Pg. 2</small>	GAUGE	LUMEN** OUTPUT <small>*Performance Data Pg. 2</small>	LAMP TYPE
53	22 = 2x2 24 = 2x4	A = 12Ga. CRS B = 14Ga. CRS C = 16Ga. CRS D = 18Ga. CRS E = 14Ga. SS (Brushed) F = 16Ga. SS (Brushed) G = 18Ga. SS (Brushed) H = 14Ga. SS (Painted) J = 16Ga. SS (Painted) K = 18Ga. SS (Painted)	L2 = Low L4 = Standard L6 = Medium L8 = High (only 5324)	35 = 3500°K 40 = 4000°K 50 = 5000°K
CIRCUITS	OUTER LENS	INNER LENS	VOLTAGE	OPTIONS
1 = 1 Circuit 2 = 2 Circuits	0 = No Lens A = .125 Clear Poly. B = .156 Clear Poly. 1 = .187 Clear Poly. 2 = .250 Clear Poly. 3 = .375 Clear Poly. 4 = .500 Clear Poly. 5 = .187 Clear Temp. Glass 6 = .250 Clear Temp. Glass 7 = .375 Clear Temp. Glass^ 8 = .500 Clear Temp. Glass^ 9 = .750 Clear Temp. Glass^	0 = No Lens A = .125 Prismatic Acrylic B = .125 Prismatic Poly. C = .156 Prismatic Poly. D = .187 Prismatic Poly. E = .156 Prismatic Temp. Glass F = .156 Prismatic Acrylic G = .140 DR Acrylic LC3 = .125 White Frosted Poly.	12 = 120V 27 = 277V 34 = 347V UN = Universal (120V-277V)	FZ* WL CDH LN UV QD AH DM

KEY

FZ = Fuse*

WL = Wet Location

CDH = Concealed Drop Hinge

LN = LED Night Light. Integrated switch allows light levels at 100%, 70%, 40%, and 10% levels.

Notes:

Specifications and Dimensions are subject to change without notice.

For additional options and dimensional details please consult your New Star Lighting Representative.

UV = .005 UV Absorbing Overlay

QD = Quick Disconnect

AH = Allenhead Screws with center pin reject

DM = 0-10V dimming with 10-100% range.

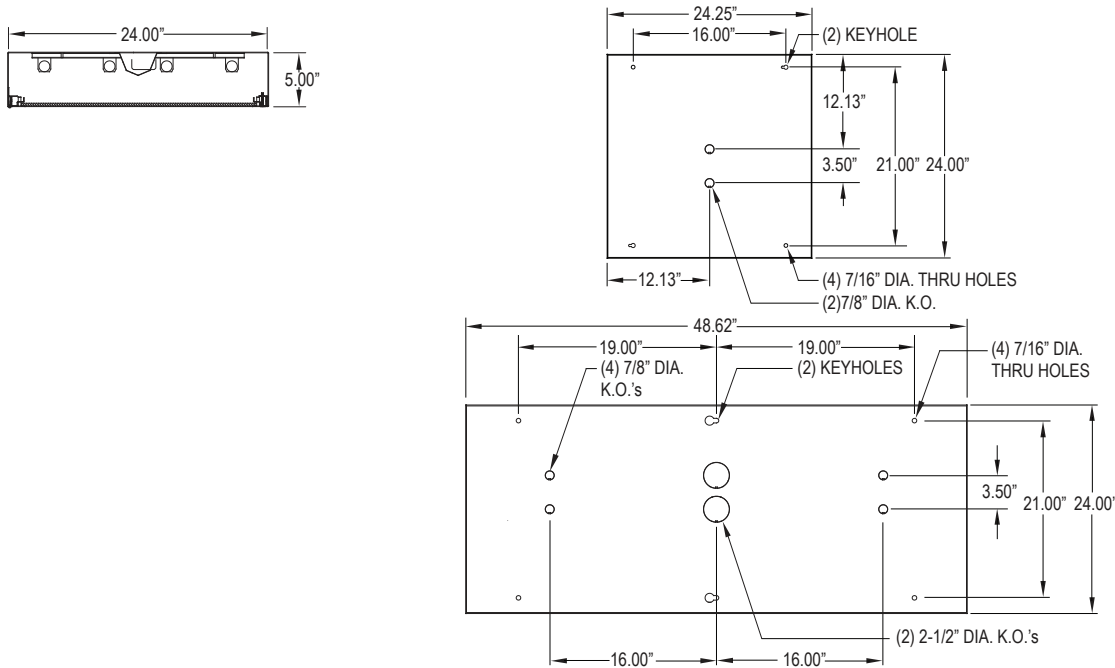
Dimming wires will be extended outside of fixture.

* Cannot use with UN voltage

** Subject to change

^ Must use with 12Ga. or 14Ga. Frame

DIMENSIONAL DATA



PERFORMANCE DATA

MODEL	OUTPUT	LAMP TYPE	LUMENS DELIVERED	EFFICACY (lm/W)	INPUT POWER (W)
5322	Low	3500°K	3000	120	25
		4000°K	3125	125	25
		5000°K	3250	130	25
	Standard	3500°K	6000	120	50
		4000°K	6250	125	50
		5000°K	6500	130	50
	Medium	3500°K	8625	115	75
		4000°K	9000	120	75
		5000°K	9375	125	75
5324	Low	3500°K	6000	120	50
		4000°K	6250	125	50
		5000°K	6500	130	50
	Standard	3500°K	12000	120	100
		4000°K	12500	125	100
		5000°K	13000	130	100
	Medium	3500°K	17250	115	150
		4000°K	18000	120	150
		5000°K	18750	125	150
	High	3500°K	23000	115	200
		4000°K	24000	120	200
		5000°K	25000	125	200

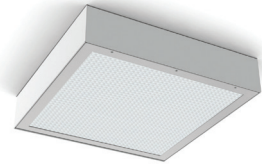
Notes:
 Specifications and Dimensions are subject to change without notice.
 For additional options and dimensional details please consult your New Star Lighting Representative.

53 SERIES FLUORESCENT

5322/5324

SPECIFICATION FEATURES

- HOUSING:** Die formed, seam welded, and ground smooth cold rolled steel or stainless steel non-clamshell design. Incorporates a removable reflector unitized with all electrical components for easy installation and maintenance.
- FRAME:** Die formed one-piece frame with tightly closed corners (material and gauge to match housing).
- HINGE:** 16 gauge full length continuous, staked piano hinge with welded ends to prevent removal (material to match housing).
- LENS:** Outer and Inner lens options secured by "Z" retainers with weld studs spaced six inches apart for maximum strength.
- ELECTRONICS:** Electronic Ballast <10% THD standard. Lamps by others.
- FASTENERS:** Tamper resistant countersunk flat head Torx screws with center pin reject.
- FINISH:** White powder coat finish following iron phosphate pre-treatment.
- GASKET:** Black neoprene gasket around door frame to prevent light leaks.



APPLICATION:

Minimum to Supermax Confinement, Psychiatric Wards, Public Housing, Detention Centers, Transportation, Athletic Facilities, and more.

MOUNTING:

Surface installation.

LABEL:

Fixture is certified to UL standards.



ORDERING INFORMATION

Ex: 5322-A-4142-A/LC3-UN

PRODUCT FAMILY	NOMINAL SIZE <small>*Dimensional Data Pg. 2</small>	GAUGE	# OF LAMPS	LAMP TYPE	
53	22 = 2x2 24 = 2x4	A = 12Ga. CRS B = 14Ga. CRS C = 16Ga. CRS D = 18Ga. CRS E = 14 Ga. SS (Brushed) F = 16Ga. SS (Brushed) G = 18Ga. SS (Brushed) H = 14Ga. SS (Painted) J = 16Ga. SS (Painted) K = 18Ga. SS (Painted)	2 = 2 lamp 3 = 3 lamp 4 = 4 lamp 6 = 6 lamp (5322 only)	5322: 17 = Linear 17W T8 14 = Linear 14W T5 24 = Linear 24W T5 HO 40 = 40 Twin 2Gx11 (2 Lamp Only) U6 = 32W U-Lamp (4 Lamp Only)	5324: 32 = 32W T8 28 = 28W T5 54 = 54W T5 HO

# OF BALLASTS	OUTER LENS	INNER LENS	VOLTAGE	OPTIONS
1 = 1 Ballast 2 = 2 Ballasts	0 = No Lens A = .125 Clear Poly. B = .156 Clear Poly. 1 = .187 Clear Poly. 2 = .250 Clear Poly. 3 = .375 Clear Poly. 4 = .500 Clear Poly. 5 = .187 Clear Temp. Glass 6 = .250 Clear Temp. Glass 7 = .375 Clear Temp. Glass ^ 8 = .500 Clear Temp. Glass ^ 9 = .750 Clear Temp. Glass ^	0 = No Lens A = .125 Prismatic Acrylic B = .125 Prismatic Poly. C = .156 Prismatic Poly. D = .187 Prismatic Poly. E = .156 Prismatic Temp. Glass F = .156 Prismatic Acrylic G = .140 DR Acrylic LC3 = .125 White Frosted Poly.	12 = 120V 27 = 277V 34 = 347V ■ UN = Universal (120V-277V)	DB* E1* ◀ E2* ◀ PR AH FZ* CDH WL UV QD NL*

KEY

DB = Dimming Ballast (0-10V)*
E1 = Emerg. Ballast (450lm)* ◀
E2 = Emerg. Ballast (1350lm)* ◀
PR = Program Rapid Start
AH = Allenhead Screws with center pin reject

FZ = Fuse*
CDH = Concealed Drop Hinge
WL = Wet Location
UV = .005 UV Absorbing Overlay
QD = Quick Disconnect
NL = Night Light*

* Cannot use with UN voltage
^ Must use with 12Ga. or 14Ga. Frame
◀ Consult factory for T5 availability
■ Consult factory for lamp-ballast options
() 1 Lamp Only

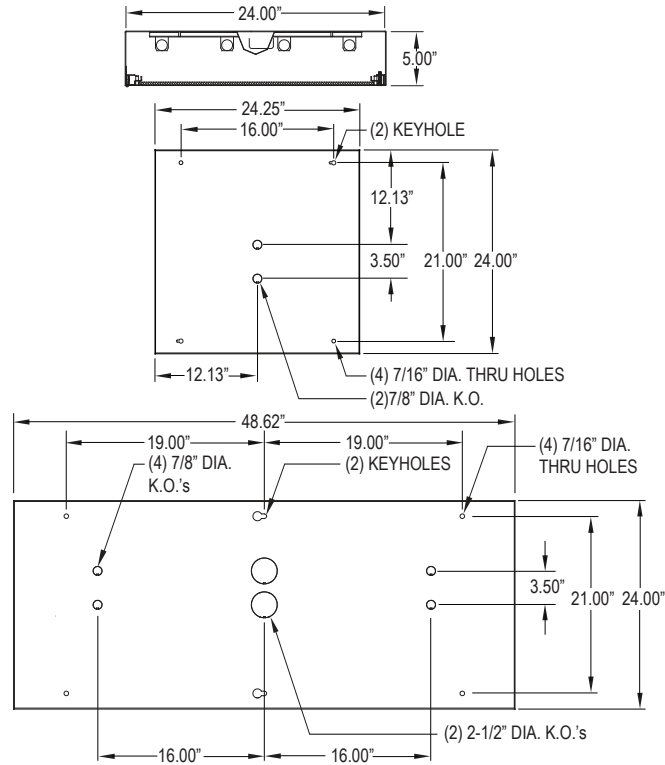
Notes:
Specifications and Dimensions are subject to change without notice.
For additional options and dimensional details please consult your New Star Lighting Representative.

53 SERIES FLUORESCENT

5322/5324



DIMENSIONAL DATA



Notes:
Specifications and Dimensions are subject to change without notice.
For additional options and dimensional details please consult your New Star Lighting Representative.