

# 53L SERIES LED

53L22/53L24

## SPECIFICATION FEATURES

- HOUSING:** Die formed, seam welded, and ground smooth cold rolled steel or stainless steel clamshell design. Incorporates a removable reflector unitized with all electrical components for easy installation and maintenance. Clamshell design incorporates a contraband drop slot gap between the ceiling and back of fixture.
- BACKPLATE:** Die formed with contraband drop slot and embossed mounting holes (material to match housing). Security caulking between ceiling and fixture is not required with this backplate design.
- HINGE:** 16 gauge full length continuous, staked piano hinge with welded ends to prevent removal (material to match housing).
- LENS:** Outer and Inner lens options secured by "Z" retainers with weld studs spaced six inches apart for maximum strength.
- LED:** Available in three color temperatures 3500°K, 4000°K and 5000°K. Other color temperatures available, consult factory. Standard 0-10V driver provided. Optional dimming function (DM) with 10-100% range.
- FASTENERS:** Tamper resistant countersunk flat head Torx screws with center pin reject.
- FINISH:** White powder coat finish following iron phosphate pre-treatment.
- GASKET:** Black neoprene gasket around door frame to prevent light leaks.



### APPLICATION:

Minimum to Supermax Confinement, Psychiatric Wards, Public Housing, Detention Centers, Transportation, Athletic Facilities, and more.

### MOUNTING:

Surface installation.

### LABEL:

Fixture is certified to UL standards.



## ORDERING INFORMATION

Ex: 53L22-A-L2401-0/C-UN

| PRODUCT FAMILY                  | NOMINAL SIZE<br><small>*Dimensional Data Pg. 2</small>   | GAUGE  | LUMEN** OUTPUT<br><small>*Performance Data Pg. 2</small>             | LAMP TYPE                                 |
|---------------------------------|--|--|--|---|
| 53L                             | 22 = 2x2<br>24 = 2x4   | A = 12Ga. CRS<br>B = 14Ga. CRS<br>C = 16Ga. CRS<br>D = 18Ga. CRS<br>E = 14Ga. SS (Brushed)<br>F = 16Ga. SS (Brushed)<br>G = 18Ga. SS (Brushed)<br>H = 14Ga. SS (Painted)<br>J = 16Ga. SS (Painted)<br>K = 18Ga. SS (Painted)                           | L2 = Low<br>L4 = Standard<br>L6 = Medium<br>L8 = High (only 53L24)   | 35 = 3500°K<br>40 = 4000°K<br>50 = 5000°K |
| CIRCUITS                        | OUTER LENS   | INNER LENS   | VOLTAGE  | OPTIONS                                   |
| 1 = 1 Circuit<br>2 = 2 Circuits | 0 = No Lens<br>A = .125 Clear Poly.<br>B = .156 Clear Poly.<br>1 = .187 Clear Poly.<br>2 = .250 Clear Poly.<br>3 = .375 Clear Poly.<br>4 = .500 Clear Poly.<br>5 = .187 Clear Temp. Glass<br>6 = .250 Clear Temp. Glass<br>7 = .375 Clear Temp. Glass^<br>8 = .500 Clear Temp. Glass^<br>9 = .750 Clear Temp. Glass^ | 0 = No Lens<br>A = .125 Prismatic Acrylic<br>B = .125 Prismatic Poly.<br>C = .156 Prismatic Poly.<br>D = .187 Prismatic Poly.<br>E = .156 Prismatic Temp. Glass<br>F = .156 Prismatic Acrylic<br>G = .140 DR Acrylic<br>LC3 = .125 White Frosted Poly. | 12 = 120V<br>27 = 277V<br>34 = 347V<br>UN = Universal<br>(120V-277V) | FZ*<br>WL<br>LN<br>UV<br>AH<br>DM         |

### KEY

FZ = Fuse\*

WL = Wet Location

LN = LED Night Light. Integrated switch allows light levels at 100%, 70%, 40%, and 10% levels.

UV = .005 UV Absorbing Overlay

AH = Allenhead Screws with center pin reject

DM = 0-10V dimming with 10-100% range.

Dimming wires will be extended outside of fixture.

\* Cannot use with UN voltage

\*\* Subject to change

^ Must use with 12Ga. or 14Ga. Frame

Notes:

Specifications and Dimensions are subject to change without notice.

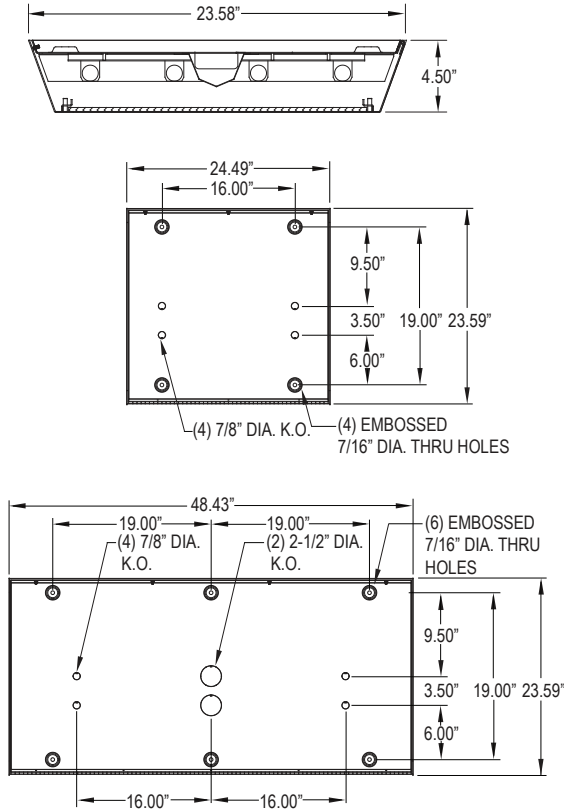
For additional options and dimensional details please consult your New Star Lighting Representative.

# 53L SERIES LED

53L22/53L24



## DIMENSIONAL DATA



## PERFORMANCE DATA

| MODEL | OUTPUT   | LAMP TYPE | LUMENS DELIVERED | EFFICACY (lm/W) | INPUT POWER (W) |
|-------|----------|-----------|------------------|-----------------|-----------------|
| 53L22 | Low      | 3500°K    | 3000             | 120             | 25              |
|       |          | 4000°K    | 3125             | 125             | 25              |
|       |          | 5000°K    | 3250             | 130             | 25              |
|       | Standard | 3500°K    | 6000             | 120             | 50              |
|       |          | 4000°K    | 6250             | 125             | 50              |
|       |          | 5000°K    | 6500             | 130             | 50              |
|       | Medium   | 3500°K    | 8625             | 115             | 75              |
|       |          | 4000°K    | 9000             | 120             | 75              |
|       |          | 5000°K    | 9375             | 125             | 75              |
| 53L24 | Low      | 3500°K    | 6000             | 120             | 50              |
|       |          | 4000°K    | 6250             | 125             | 50              |
|       |          | 5000°K    | 6500             | 130             | 50              |
|       | Standard | 3500°K    | 12000            | 120             | 100             |
|       |          | 4000°K    | 12500            | 125             | 100             |
|       |          | 5000°K    | 13000            | 130             | 100             |
|       | Medium   | 3500°K    | 17250            | 115             | 150             |
|       |          | 4000°K    | 18000            | 120             | 150             |
|       |          | 5000°K    | 18750            | 125             | 150             |
|       | High     | 3500°K    | 23000            | 115             | 200             |
|       |          | 4000°K    | 24000            | 120             | 200             |
|       |          | 5000°K    | 25000            | 125             | 200             |

Notes:  
 Specifications and Dimensions are subject to change without notice.  
 For additional options and dimensional details please consult your New Star Lighting Representative.

# 53L SERIES FLUORESCENT

## 53L22/53L24

### SPECIFICATION FEATURES

- HOUSING:** Die formed, seam welded, and ground smooth cold rolled steel or stainless steel clamshell design. Incorporates a removable reflector unitized with all electrical components for easy installation and maintenance. Clamshell design incorporates a contraband drop slot gap between the ceiling and back of fixture.
- BACKPLATE:** Die formed with contraband drop slot and embossed mounting holes (material to match housing). Security caulking between ceiling and fixture is not required with this backplate design.
- HINGE:** 16 gauge full length continuous, staked piano hinge with welded ends to prevent removal (material to match housing).
- LENS:** Outer and Inner lens options secured by "Z" retainers with weld studs spaced six inches apart for maximum strength.
- ELECTRONICS:** Electronic Ballast <10% THD standard. Lamps by others.
- FASTENERS:** Tamper resistant countersunk flat head Torx screws with center pin reject.
- FINISH:** White powder coat finish following iron phosphate pre-treatment.
- GASKET:** Black neoprene gasket around door frame to prevent light leaks.



### APPLICATION:

Minimum to Supermax Confinement, Psychiatric Wards, Public Housing, Detention Centers, Transportation, Athletic Facilities, and more.

### MOUNTING:

Surface installation.

### LABEL:

Fixture is certified to UL standards.



### ORDERING INFORMATION

Ex: 53L22-A-2401-A/C-UN

| PRODUCT FAMILY | NOMINAL SIZE<br><small>*Dimensional Data Pg. 2</small> | GAUGE   | # OF LAMPS   | LAMP TYPE   |   |
|----------------|--|---|--|---|---|
| 53L            | 22 = 2x2<br>24 = 2x4                                   | A = 12Ga. CRS<br>B = 14Ga. CRS<br>C = 16Ga. CRS<br>D = 18Ga. CRS<br>E = 14 Ga. SS (Brushed)<br>F = 16Ga. SS (Brushed)<br>G = 18Ga. SS (Brushed)<br>H = 14Ga. SS (Painted)<br>J = 16Ga. SS (Painted)<br>K = 18Ga. SS (Painted) | 2 = 2 lamp<br>3 = 3 lamp<br>4 = 4 lamp<br>6 = 6 lamp<br>(53L22 only) | <b>53L22:</b><br>17 = Linear 17W T8<br>14 = Linear 14W T5<br>24 = Linear 24W T5 HO<br>40 = 40 Twin 2Gx11<br>( 2 Lamp Only )<br>U6 = 32W U-Lamp<br>(4 Lamp Only) | <b>53L24:</b><br>32 = 32W T8<br>28 = 28W T5<br>54 = 54W T5 HO |

| # OF BALLASTS                   | OUTER LENS  | INNER LENS   | VOLTAGE  | OPTIONS   |
|---------------------------------|---|--|--|---|
| 1 = 1 Ballast<br>2 = 2 Ballasts | 0 = No Lens<br>A = .125 Clear Poly.<br>B = .156 Clear Poly.<br>1 = .187 Clear Poly.<br>2 = .250 Clear Poly.<br>3 = .375 Clear Poly.<br>4 = .500 Clear Poly.<br>5 = .187 Clear Temp. Glass<br>6 = .250 Clear Temp. Glass<br>7 = .375 Clear Temp. Glass ^<br>8 = .500 Clear Temp. Glass ^<br>9 = .750 Clear Temp. Glass ^ | 0 = No Lens<br>A = .125 Prismatic Acrylic<br>B = .125 Prismatic Poly.<br>C = .156 Prismatic Poly.<br>D = .187 Prismatic Poly.<br>E = .156 Prismatic Temp. Glass<br>F = .156 Prismatic Acrylic<br>G = .140 DR Acrylic<br>LC3 = .125 White Frosted Poly. | 12 = 120V<br>27 = 277V<br>34 = 347V ■<br>UN = Universal<br>(120V-277V) | DB*<br>E1* ◀<br>E2* ◀<br>PR<br>AH<br>FZ*<br>WL<br>UV<br>NL* |

### KEY

DB = Dimming Ballast (0-10V)\*  
E1 = Emerg. Ballast (450lm)\* ◀  
E2 = Emerg. Ballast (1350lm)\* ◀  
PR = Program Rapid Start  
AH = Allenhead Screws with center pin reject

FZ = Fuse\*  
WL = Wet Location  
UV = .005 UV Absorbing Overlay  
NL = Night Light\*

\* Cannot use with UN voltage  
^ Must use with 12Ga. or 14Ga. Frame  
◀ Consult factory for T5 availability  
■ Consult factory for lamp-ballast options

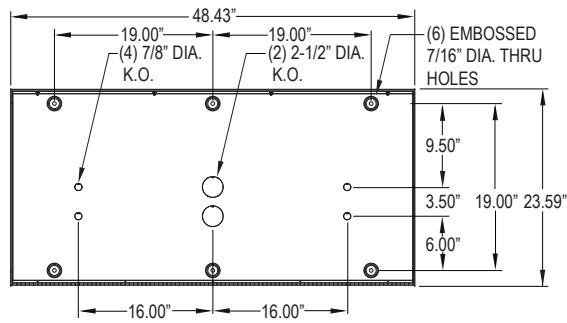
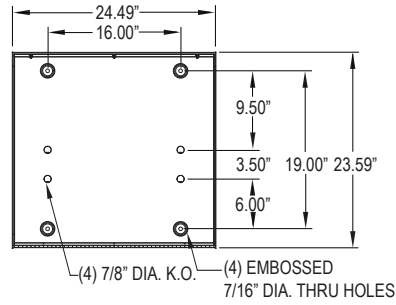
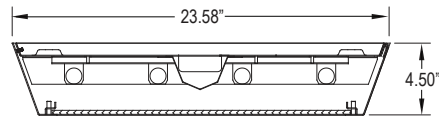
Notes:  
Specifications and Dimensions are subject to change without notice.  
For additional options and dimensional details please consult your New Star Lighting Representative.

# 53L SERIES FLUORESCENT

53L22/53L24



## DIMENSIONAL DATA



Notes:  
Specifications and Dimensions are subject to change without notice.  
For additional options and dimensional details please consult your New Star Lighting Representative.