

# 540

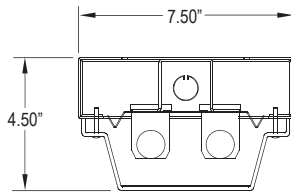
## HIGH ABUSE SERIES

LINEAR LUMINAIRE  
FLUORESCENT/LED



PROJECT:
TYPE:
PRODUCT:
APPROVED:
DATE:

### DIMENSIONAL DATA



### FEATURE

The New Star "540" High Abuse fixture is an extreme durable linear fixture designed for locations where rugged security lighting is absolutely required

- High abuse durable luminaire available with a wet location option
- Heavy gauge steel, iron phosphate pretreated and finished in an oven baked polyester powder coat
- Convenient knockouts to accept surface mounting conduit to accept surface conduit
- High pressure injection molded heavy wall polycarbonate lens
- Stainless steel hardware
- Optional wet location

### APPLICATION

- Apartment Buildings
- School Campuses
- Public Housing Complexes
- Transportation Terminals
- Utility Corridors
- Hotels
- Freezer Units
- Stairwells
- Locker Rooms
- Detention Centers
- Military Barracks
- Hospitals
- Public Washrooms
- Park Field Houses

### SPECIFICATION FEATURES

#### HOUSING:

16G CRS (cold rolled steel) internally reinforced to provide double wall thickness at ends and corners.

#### FASTENERS:

Tamper resistant Torx head screws with center pin reject. (6) total.

#### LENS:

.125" impact resistant Clear Prismatic UV stabilized Polycarbonate diffuser. (Other thicknesses available - see ordering information).

#### FINISH:

Powdercoat finish in white following a 5 step iron phosphate pre-treatment.

#### LABEL:

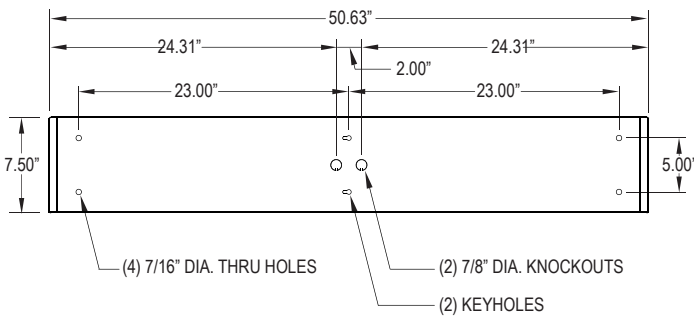


#### REFLECTOR:

CRS, removable and unitized with all electrical components for easy installation and maintenance.

#### ELECTRONICS:

Electronic Ballast <10% THD standard. Lamps by others.



### ORDERING INFORMATION

Product Family	# of Lamp	Lamp Type	# Ballasts/Driver	Voltage	Options
<b>540</b> 7-1/2" x 50"-5/8" x 4-1/2"					
540	Fluorescent: 1 = 1 Lamp 2 = 2 Lamp LED: L1 = LED 1 Rw (25W) L2 = LED 2 Rw (50W) L3 = LED 3 Rw (75W)	Fluorescent: 32 = Linear 32W T8 28 = Linear 28W T5 54 = Linear 54W T5 (H.O.) LED: 35 = White 3500° K 40 = White 4000° K 50 = White 5000° K	Fluorescent: 1 = 1 Ballast 2 = 2 Ballast LED: 1 = Driver 2 = Driver	12 = 120V 27 = 277V 34 = 347V ■ UN = Universal (120V-277V)	PR = Program Rapid Start E1 = Emergency Battery Pack (450 Lumens) ◀ * ◆ E2 = Emergency Battery Pack (1100 Lumens) ◀ * ◆ SS = Stainless Steel Housing (#4 Brushed Finish) AL = Aluminum Housing TM = Tandem Mounting EL1= Emerg. Bat. LED Low EL2= Emerg. Bat. LED High (with center pin) AH = Allen Head screws (covered ceiling only) WL = Wet Location CW = Cold Weather ballast (-30°C) T8 Lamp only FZ = Fuse *

- \* Cannot use with UN voltage option
- ◀ Consult factory for T5 availability
- Consult factory for lamp-ballast options
- ◆ Not available in LED

#### Notes:

Specifications and Dimensions are subject to change without notice. For additional options and dimensional details please consult your New Star Lighting Representative. For specific electronic ballast, specify brand and catalog number. The New Star Promise will repair or replace any High Abuse fixture when installed according to New Star's instructions for the life of the original installation if the fixture should fail due to physical abuse.

