

544

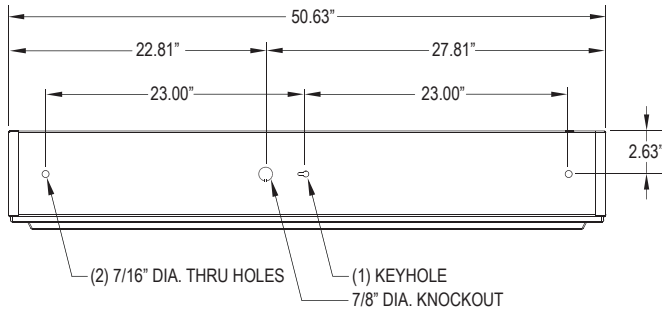
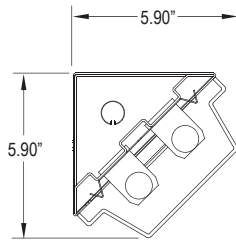
HIGH ABUSE SERIES

CORNER LUMINAIRE
FLUORESCENT/LED



PROJECT:
TYPE:
PRODUCT:
APPROVED:
DATE:

DIMENSIONAL DATA



FEATURES

The New Star "544" High Abuse fixture is an extremely durable linear fixture designed for wet, damp or dusty locations where rugged security lighting is absolutely requirement in corner mounting

- High abuse durable luminaire available with a wet location option
- Heavy gauge steel, iron phosphate pretreated and finished in an oven baked polyester powder coat
- Convenient knockouts to accept surface mounting conduit to accept surface conduit
- High pressure injection molded heavy wall polycarbonate lens
- Stainless steel hardware
- Optional wet location

APPLICATION

- Apartment Buildings
- School Campuses
- Public Housing Complexes
- Transportation Terminals
- Utility Corridors
- Hotels
- Freezer Units
- Stairwells
- Locker Rooms
- Detention Centers
- Military Barracks
- Hospitals
- Public Washrooms
- Park Field Houses

SPECIFICATION FEATURES

HOUSING:

16G CRS (cold rolled steel) internally reinforced to provide double wall thickness at ends and corners.

LENS:

.125" impact resistant Clear Prismatic UV stabilized Polycarbonate diffuser. (Other thicknesses available - see ordering information).

REFLECTOR:

CRS, removable and unitized with all electrical components for easy installation and maintenance.

ELECTRONICS:

Fluorescent:
Electronic Ballast <10% THD standard. RIF available. Lamps by others.

LED:

Available in three standard color temperatures 3500°K, 4000°K & 5000°K. Other color temperatures available, consult factory.

FASTENERS:

Tamper resistant Torx head screws with center pin reject. (6) total.

FINISH:

Powdercoat finish in white following a 5 step iron phosphate pre-treatment.

LABEL:



ORDERING INFORMATION

Product Family	# of Lamp	Lamp Type	# Ballasts/Driver	Voltage	Options
544					
544 5-15/16" x 5-5/8"-50-5/16"	Fluorescent: 1 = 1 Lamp 2 = 2 Lamp LED: L1 = LED 1 Rw (25W) L2 = LED 2 Rw (50W) L3 = LED 3 Rw (75W)	Fluorescent: 32 = Linear 32W T8 28 = Linear 28W T5 54 = Linear 54W T5 (H.O.) LED: 35 = White 3500° K 40 = White 4000° K 50 = White 5000° K	Fluorescent: 1 = 1 Ballast 2 = 2 Ballast LED: 1 = Driver 2 = Driver	12 = 120V 27 = 277V 34 = 347V ◆ UN = Universal (120V-277V)	PR = Program Rapid Start E1 = Emergency Battery Pack (450 Lumens) ◆◆ E2 = Emergency Battery Pack (1100 Lumens) ◆◆ SS = Stainless Steel Housing (#4 Brushed Finish) AH = Allen Head screws (with center pin) WL = Wet Location (covered ceiling only) CW = Cold Weather ballast (-30°C) T8 Lamp only FZ = Fuse *

- * Cannot use with UN voltage option
- ◆ Consult factory for T5 availability
- ◆ Consult factory for lamp-ballast options
- ◆ Not available in LED

