

55S1-55S2-55S4

CONFINEMENT SERIES

WALL LUMINAIRE

CLAMSHELL DESIGN FOR MIN. TO SUPERMAX SECURITY

FLUORESCENT/LED

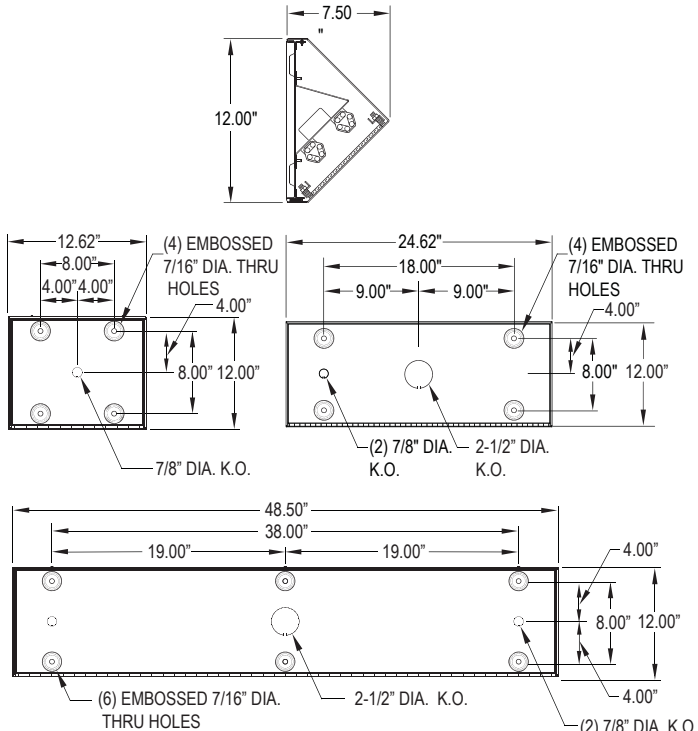


Made in America



PROJECT:
TYPE:
PRODUCT:
APPROVED:
DATE:

DIMENSIONAL DATA



ORDERING INFORMATION

Product Family	Gauge	# of Lamps	Lamp Type	# of Ballasts/Drivers
55S_				
55S1 7-1/2" x 12-11/16" x 12"	B = 14 Ga. CRS D = 16 Ga. CRS (Brushed) E = 18 Ga. CRS H = 14 Ga. SS J = 16 Ga. SS (Painted) K = 18 Ga. SS (Painted)	Fluorescent: 55S1 1 = 1 Lamp 2 = 2 Lamp LED 55S2: 55S2-55S4 1 = 1 Lamp 2 = 2 Lamp 3 = 3 Lamp	Fluorescent: 55S1 18 = 18W Triple Gx24q-2 8Q = 18W Quad G24q-2 26 = 26W Triple Gx24q-3 6Q = 26W Quad G24q-3 32 = 32W Triple Gx24q-3 42 = 42W Triple Gx24q-4 55S2 17 = Linear 17W T8 14 = Linear 14W T5 24 = Linear 24W T5 HO 40 = 40 Twin 2Gx11	Fluorescent: 32 = Linear 32W T8 28 = Linear 28W T5 54 = Linear 54W T5 HO LED: 35 = White 3500° K 40 = White 4000° K 50 = White 5000° K

Outer Lens	Inner Lens	Voltage	Options
Ø = No Lens A = .125 Clear Poly. B = .156 Clear Poly. 1 = .187 Clear Poly. 2 = .250 Clear Poly. 3 = .375 Clear Poly.	4 = .500 Clear Poly. 5 = .187 Clear Temp. Glass 6 = .250 Clear Temp. Glass 7 = .375 Clear Temp. Glass 8 = .500 Clear Temp. Glass 9 = .750 Clear Temp. Glass	Ø = No Lens A = .125 Pris. Acrylic B = .125 Pris. Poly. C = .156 Pris. Poly. D = .187 Pris. Poly.	E = .156 Pris. Temp. Glass F = .156 Pris. Acrylic G = .140 DR Acrylic LC3 = .125 White Frosted Polycarbonate
		12 = 120V 27 = 277V 34 = 347V UN = Universal (120V-277V)	DB = Ballast: Dimming (0-10V) * E1 = Emergency Ballast (450 Lumens) * E2 = Emergency Ballast (1350 Lumens) * PR = Programmable Ballast - Rapid Start AH = Allenhead Screws NL = Fluorescent Night Light * LN = LED Night Light. Consult factory for available color /temperatures.
			FZ = Fuse Holder * WL = Wet Location UV = .005 UV Absorbing Overlay

^ Must Use 12 or 14 Gauge Frame
* Cannot use with universal voltage option

Consult factory for T5 availability

FEATURES

The New Star™ 55S1-55S2-55S4™ Confinement wall clamshell fixture is designed for max to supermax applications

- 18-12 gauge die formed steel or stainless steel non-clam shell housing with full length continuous staked piano hinge with welded end
- Angled housing shape designed to withstand physical abuse
- 16 gauge full length continuous staked piano hinge with welded ends
- Lens held in place with Z-Channel and weld studs
- Torx head center pin screws standard
- Black Neoprene gasket around door frame to prevent light leaks
- Wet location optional

APPLICATION

- Confinement
- Psychiatric Wards
- Detention Centers
- Public Housing Complexes
- Transportation Applications
- Athletic Facilities
- Locker Rooms

SPECIFICATION FEATURES

HOUSING:

Die formed, seam welded and ground smooth (specify material and gauge). Incorporates a removable reflector unitized with all electrical components for easy installation and maintenance.

BACKPLATE:

Die formed with contraband drop slot and embossed mounting holes (materials and gauge to match housing). Security caulking between ceiling and fixture is not required with this back plate design.

HINGE:

16 gauge full length continuous, staked piano hinge with welded ends. To prevent removal (material to match housing).

LENS / LENS RETENTION:

Lens per specification (see options) and secured by "Z" retainers with weld studs spaced six inches apart for maximum strength.

ELECTRONICS:

Electronic Ballast <10% THD standard. RIF available. Lamps by others.

LED NIGHT LIGHT:

Integrated switch allows light selection at 100%,70%,40% and 10% levels

GASKET:

Black Neoprene gasket around door frame to prevent light leaks

FASTENERS:

Tamper resistant countersunk, flat head Torx screws, with center pin reject

FINISH:

White powercoat finish following an iron phosphate pre-treatment.

LABEL:

