

# 55W2-55W4

## CONFINEMENT SERIES

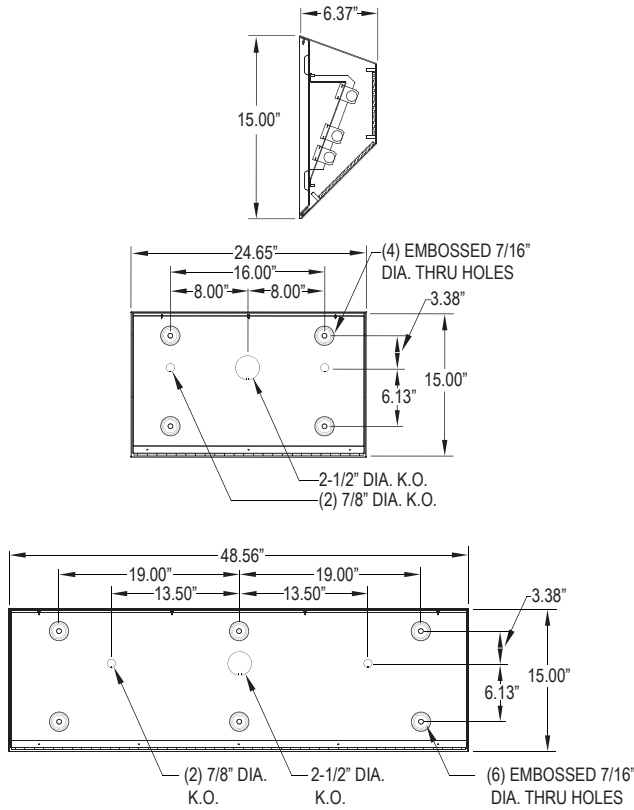
CORNER LUMINAIRE

CLAMSHELL DESIGN FOR MIN. TO SUPERMAX SECURITY  
FLUORESCENT/LED



PROJECT:
TYPE:
PRODUCT:
APPROVED:
DATE:

### DIMENSIONAL DATA



### FEATURES

The New Star "55W2-55W4" Confinement clamshell wall fixture is designed for max to supermax applications

- 18-12 AWG die formed steel or stainless steel non-clam shell housing with full length continuous staked piano hinge with welded end
- Angled housing shape designed to withstand physical abuse
- 16 gauge full length continuous staked piano hinge with welded ends
- Lens held in place with Z-Channel and weld studs
- Torx head center pin screws standard
- Black Neoprene gasket around door frame to prevent light leaks
- Wet location optional

### APPLICATION

- Confinement
- Psychiatric Wards
- Detention Centers
- Public Housing Complexes
- Transportation Applications
- Athletic Facilities
- Locker Rooms

### SPECIFICATION FEATURES

#### HOUSING:

Die formed, seam welded, and ground smooth (specify material and gauge). Incorporates a removable reflector unitized with all electrical components for easy installation and maintenance.

#### BACKPLATE:

Die formed with contraband drop slot and embossed mounting holes(materials and gauge to match housing). Security caulking between ceiling and fixture is not required with this back plate design.

#### HINGE:

16 gauge full length continuous, staked piano hinge, with welded ends. to prevent removal (material to match housing).

#### LENS / LENS RETENTION:

Lens per specification (see options) and secured by "Z" retainers with weld studs spaced six inches apart for maximum strength.

#### ELECTRONICS:

Fluorescent:  
Electronic Ballast <10% THD standard. RIF available. Lamps by others.

#### LED:

Available in three standard color temperatures 3500°K, 4000°K & 5000°K. Other color temperatures available, consult factory.

#### LED NIGHT LIGHT:

Integrated switch allows light selection at 100%,70%,40% and 10% levels

#### GASKET:

Black Neoprene gasket around door frame to prevent light leaks

#### FASTENERS:

Tamper resistant countersunk, flat head Torx screws with center pin reject

#### FINISH:

White powercoat finish following an iron phosphate pre-treatment.

#### LABEL:



### ORDERING INFORMATION

Product Family	Gauge	# of Lamps	Lamp Type	# of Ballasts/Drivers
<b>55W_</b>				
55W2 6-3/8" x 24-3/8" x 15"	B = 14 Ga. CRS C = 16 Ga. CRS D = 18 Ga. CRS	Fluorescent: 55W2-55W4 1 = 1 Lamp 2 = 2 Lamp 3 = 3 Lamp	Fluorescent: 55W2 17 = Linear 17W T8 14 = Linear 14W T5 24 = Linear 24W T5 HO 40 = 40 Twin 2Gx11 U6 = 32W U-Lamp Δ (6" leg spac.)	Fluorescent: 1 = 1 Ballast 2 = 2 Ballast
55W4 6-3/8" x 48-3/8" x 15"	G = 18 Ga. SS (Brushed) H = 14 Ga. SS (Painted) J = 16 Ga. SS (Painted) K = 18 Ga. SS (Painted)	LED 55W4: L2 = LED 2 Row (50W) L3 = LED 3 Row (75W)	LED: 35 = White 3500°K 40 = White 4000°K 50 = White 5000°K	LED: 1 = Driver 2 = Driver

Outer Lens	Inner Lens	Voltage	Options
Ø = No Lens A = .125 Clear Poly. B = .156 Clear Poly. 1 = .187 Clear Poly. 2 = .250 Clear Poly. 3 = .375 Clear Poly.	Ø = No Lens A = .125 Pris. Acrylic B = .125 Pris. Poly. C = .156 Pris. Poly. D = .187 Pris. Poly.	12 = 120V 27 = 277V 34 = 347V UN = Universal (120V-277V)	DB = Ballast: Dimming (0-10V) * E1 = Emergency Ballast (450 Lumens) * E2 = Emergency Ballast (1350 Lumens) * PR = Programmable Ballast - Rapid Start AH = Allenhead Screws NL = Fluorescent Night Light * LN = LED Night Light. Consult factory for available color /temperatures.

^ Must Use 12 or 14 Gauge Frame  
 \* Cannot use with universal voltage option  
 Δ 1 Lamp only  
 ◀ Consult factory for T5 availability  
 ■ Consult factory for lamp-ballast options  
 ♦ Not available in LED

#### Notes:

Specifications and Dimensions are subject to change without notice. For additional options and dimensional details please consult your New Star Lighting Representative. For specific electronic ballast, specify brand and catalog number.