

57L22-57L24

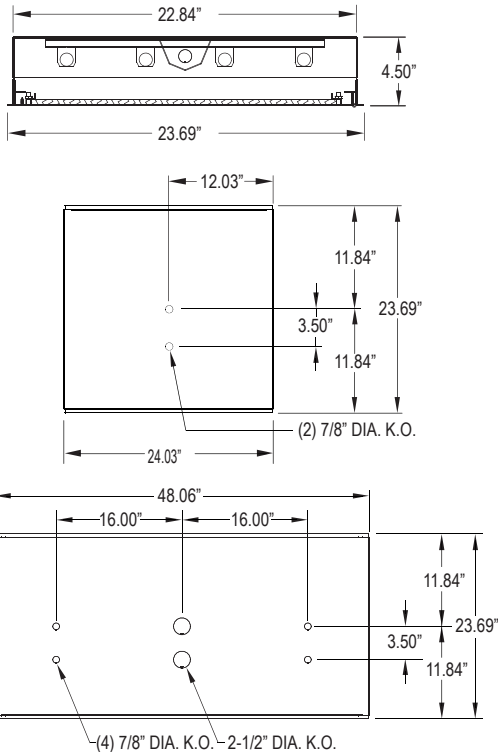
CONFINEMENT SERIES

GRID LUMINAIRE

MINIMUM TO MAXIMUM SECURITY
FLUORESCENT/LED



DIMENSIONAL DATA



ORDERING INFORMATION

Product Family	Housing	Frame	# of Lamps	Lamp Type	# of Ballast/Driv.
57L_					
57L22 23-11/16" x 24-1/16" x 4-1/2" 57L24 23-11/16" x 48-1/16" x 4-1/2"	B = 14 Ga.CRS H = 14 Ga. SS C = 16 Ga.CRS (Painted) D = 18 Ga.CRS J = 16 Ga. SS E = 14 Ga. SS (Painted) F = 16 Ga. SS K = 18 Ga. SS G = 18 Ga. SS (Painted)	B = 14 Ga.CRS H = 14 Ga. SS C = 16 Ga.CRS (Painted) E = 14 Ga. SS J = 16 Ga. SS F = 16 Ga. SS (Brushed)	Fluorescent: LED 57L22: 57L22-57L24 L2 = LED 2 Rw (25W) 2 = 2 Lamp L3 = LED 3 Rw (37.5W) 3 = 3 Lamp L4 = LED 4 Rw (50W) 4 = 4 Lamp LED 57L24: 6 = 6 Lamp L2 = LED 2 Rw (50W) L3 = LED 3 Rw (75W) L4 = LED 4 Rw (100W) L5 = LED 5 Rw (150W) L6 = LED 6 Rw (175W)	Fluorescent: 57L22 17 = Linear 17W T8 14 = Linear 14W T5 24 = Linear 24W T5 40 = 40 Twin 2Gx11 LED: (4 lamp only) U6 = 32W U-Lamp ≠ 35 = White 3500° K (6" leg spacing) 40 = White 4000° K 50 = White 5000° K	Fluorescent: 57L24 32 = Linear 32W T8 28 = Linear 28W T5 54 = Linear 54W T5 HO LED: 1 = 1 Ballast 2 = 2 Ballast 2 = Driver 2 = Driver
Outer Lens	Inner Lens	Voltage	Options		
∅ = No Lens 4 = .500 Clear Poly. A = .125 Clear Poly. 5 = .187 Clear Temp.Glass B = .156 Clear Poly. 6 = .250 Clear Temp.Glass 1 = .187 Clear Poly. 7 = .375 Clear Temp.Glass ^ 2 = .250 Clear Poly. 8 = .500 Clear Temp.Glass ^ 3 = .375 Clear Poly. 9 = .750 Clear Temp.Glass ^	∅ = No Lens A = .125 Prismatic Acrylic B = .125 Prismatic Polycarbonate C = .156 Prismatic Polycarbonate D = .187 Prismatic Polycarbonate E = .156 Prismatic Tempered Glass F = .156 Prismatic Acrylic G = .140 DR Acrylic LC3 = .125 White Frosted Polycarbonate	12 = 120V 27 = 277V 34 = 347V ■ UN = Universal (120V-277V)	DB = Ballast: Dimming (0-10V) * NL = Fluorescent Night Light * E1 = Emerg.Ballast (450 Lumens) * ◀ LN = LED Night Light. Consult E2 = Emerg.Ballast (1350 Lumens) * ◀ factory for available color EL1= Emerg. Bat. LED Low /temperatures. EL2= Emerg. Bat. LED High FZ = Fuse Holder * PR = Program. Rapid Start Ballast WL = Wet Location AH = Allenhead Screws UV = .005 UV Absorbing with center pin reject Overlay		
^ Must Use 12 or 14 Gauge Frame		◀ Consult factory for T5 availability		■ Consult factory for lamp-ballast options	
* Cannot use with universal voltage option		≠ 4 lamps only			



PROJECT:
TYPE:
PRODUCT:
APPROVED:
DATE:

FEATURES

The New Star " 57L12-57L24 " Confinement grid fixture is designed for recessed security T-Bar ceiling applications

- 18-14 gauge cold rolled or stainless steel
- 16 gauge full length continuous staked piano hinge with welded ends
- Grid security fixture designed for confinement applications and recessed drywall ceiling
- Wide variety of lens options held in place with Z-Channel and weld studs
- Torx head center pin screws standard
- Black neoprene gasket around interior door frame to prevent light leaks.
- Wet location optional

APPLICATION

- Confinement
- Psychiatric Wards
- Detention Centers
- Public Housing Complexes
- Transportation Applications
- Athletic Facilities
- Locker Rooms

SPECIFICATION FEATURES

HOUSING:

Die formed, seam welded, and ground smooth (specify material and gauge). Incorporates a removable reflector unitized with all electrical components for easy installation and maintenance.

FRAME:

Die formed one-piece frame with tightly closed corners. (material and gauge to match housing).

HINGE:

16 gauge full length continuous, staked piano hinge, with welded ends. to prevent removal (material to match housing).

LENS / LENS RETENTION:

Lens per specification (see options) and secured by "Z" retainers with weld studs spaced six inches apart for maximum strength.

ELECTRONICS:

Fluorescent:
Electronic Ballast <10% THD standard. RIF available. Lamps by others.

LED:

Available in three standard color temperatures 3500° K, 4000° K & 5000° K. Other color temperatures available, consult factory.

LED NIGHT LIGHT:

Integrated switch allows light selection at 100%, 70%, 40% and 10% levels

GASKET:

Black neoprene gasket around interior door frame to prevent light leaks.

FASTENERS:

Tamper resistant countersunk, flat head Torx screws with center pin reject

FINISH:

White powdercoat finish following an iron phosphate pre-treatment.

LABEL:



Notes:

Specifications and Dimensions are subject to change without notice. For additional options and dimensional details please consult your New Star Lighting Representative. For specific electronic ballast, specify brand and catalog number.