

57M11-57M12-57M14

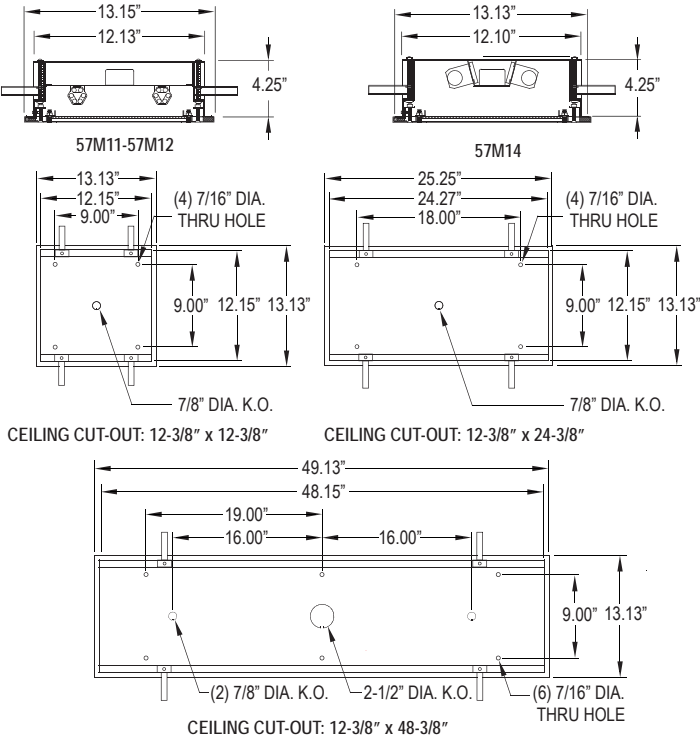
CONFINEMENT SERIES

FLANGE LUMINAIRE

MINIMUM TO MAXIMUM SECURITY
FLUORESCENT/LED



DIMENSIONAL DATA



ORDERING INFORMATION

Product Family	Housing	Frame	# of Lamps	Lamp Type	# of Ballasts /Circuits
57M					
57M11 13-1/8" x 13-1/8" x 4"	B = 14 Ga. CRS C = 16 Ga. CRS D = 18 Ga. CRS	A = 12 Ga. CRS B = 14 Ga. CRS C = 16 Ga. CRS	Fluorescent: LED 57M11: 57M11 L2 = LED 2 Rw (30.0W) 1 = 1 Lamp LED 57M12: 2 = 2 Lamp L2 = LED 2 Rw (25W)	Fluorescent: LED 57M12: 57M11: 26 = 26W Triple Gx24q-3 26Q = 26W Quad G24q-3 32 = 32W Triple Gx24q-3 42 = 42W Triple Gx24q-4 57M14: 32 = 32W T8 28 = 28W T5 54 = 54W T5 HO	Fluorescent: 1 = 1 Ballast 2 = 2 Ballast LED: 1 = 1 Circuit 2 = 2 Circuit
57M12 13-1/8" x 25-1/16" x 4"	E = 14 Ga. SS F = 16 Ga. SS	E = 14 Ga. SS (Brushed) F = 16 Ga. SS (Brushed)	57M12-57M14 L3 = LED 3 Rw (37.5W) 1 = 1 Lamp LED 57M14: 2 = 2 Lamp L2 = LED 2 Rw (50W) 3 = 3 Lamp L3 = LED 3 Rw (75W)	LED 57M12: 17 = Linear 17W T8 14 = Linear 14W T5 24 = Linear 24W T5 HO 40 = 40 Twin 2Gx11 U6 = 32W U-Lamp(6" spac) Δ	
57M14 13-1/8" x 49-1/8" x 4"	G = 18 Ga. SS H = 14 Ga. SS (Painted) J = 16 Ga. SS (Painted) K = 18 Ga. SS (Painted)	H = 14 Ga. SS (Painted) J = 16 Ga. SS (Painted)		57M14: 32 = 32W T8 28 = 28W T5 54 = 54W T5 HO 50 = White 5000° K	LED 57M11-57M12-57M14: 35 = White 3500° K 40 = White 4000° K 50 = White 5000° K
	Outer Lens	Inner Lens	Voltage	Options	
	Ø = No Lens 4 = .500 Clear Poly. A = .125 Clear Poly. 5 = .187 Clear Temp. Glass B = .156 Clear Poly. 6 = .250 Clear Temp. Glass 1 = .187 Clear Poly. 7 = .375 Clear Temp. Glass ^ 2 = .250 Clear Poly. 8 = .500 Clear Temp. Glass ^ 3 = .375 Clear Poly. 9 = .750 Clear Temp. Glass ^	Ø = No Lens E = .156 Pris. Temp. Glass A = .125 Pris. Acrylic F = .156 Pris. Acrylic B = .125 Pris. Poly. G = .140 DR Acrylic C = .156 Pris. Poly. LC3 = .125 White Frosted D = .187 Pris. Poly. Poly.	12 = 120V 27 = 277V 34 = 347V ■ UN = Universal (120V-277V)	DB = Dimming Ballast (0-10V) *♦ DM = Dimming Driver (0-10V) SDM = Step Dimming Module PR = Program Rapid Start FZ = Fuse * NL = Fluorescent Night Light * LN = LED Night Light. Consult factory for available color/temperatures. AH = Allenhead Screws w/ctr. pin reject WL = Wet Location	E1 = Emergency Battery Pack * ◀♦ (450 Lumens) E2 = Emergency Battery Pack * ◀♦ (1100 Lumens) EML = Emergency Battery LED TM = Tandem Mount UV = .005 UV Absorbing Overlay PF = Plaster Frame & Yolk CB = Cross Bar CP = Concrete Pour Box used with full frame.

^ Must Use 12 or 14 Gauge Frame
* Cannot use with universal voltage option
■ Consult factory for lamp-ballast options

◀ Consult factory for T5 availability • Two Lamp only
Δ 1 lamp only
♦ Not available in LED



PROJECT:
TYPE:
PRODUCT:
APPROVED:
DATE:

FEATURES

The New Star " 5M11-57M12-57M14 " Confinement flange fixture is designed for confinement applications in recessed drywall ceiling

- 18-14 AWG cold rolled or stainless steel
- 16 gauge full length continuous staked piano hinge with welded ends
- Wide variety of lens options held in place with Z-Channel and weld studs
- Swing arm mounting system for easy installation
- Optional plaster frame yoke assembly available
- Torx head center pin screws standard
- Black neoprene gasket around interior door frame to prevent light leaks.
- Optional wet location

APPLICATION

- Confinement
- Psychiatric Wards
- Detention Centers
- Public Housing Complexes
- Transportation Applications
- Athletic Facilities
- Locker Rooms

SPECIFICATION FEATURES

HOUSING:

Die formed, seam welded, and ground smooth (specify material and gauge). Incorporates a removable reflector unitized with all electrical components for easy installation and maintenance.

FRAME:

Die formed one-piece frame with tightly closed corners. (material and gauge to match housing).

HINGE:

16 gauge full length continuous, staked piano hinge, with welded ends. to prevent removal (material to match housing).

LENS / LENS RETENTION:

Lens per specification (see options) and secured by "Z" retainers with weld studs spaced six inches apart for maximum strength.

FLUORESCENT ELECTRONICS:

Electronic Ballast <10% THD standard. Lamps by others.

LED Constant Current:

Available in three standard color temperatures 3500°K, 4000°K & 5000°K. Other color temperatures available, consult factory.

LED NIGHT LIGHT:

Integrated switch allows light selection at 100%,70%,40% and 10% levels

GASKET:

Black neoprene gasket around interior door frame to prevent light leaks.

FASTENERS:

Tamper resistant countersunk, flat head Torx screws with center pin reject

FINISH:

White powercoat finish following an iron phosphate pre-treatment.

INSTALLATION:

Easy installation with adjustable 90° swing arm system standard.

LABEL:



www.newstarlighting.com

Notes:

Specifications and Dimensions are subject to change without notice. For additional options and dimensional details please consult your New Star Lighting Representative. For specific electronic ballast, specify brand and catalog number.