

57M11-57M12-57M14

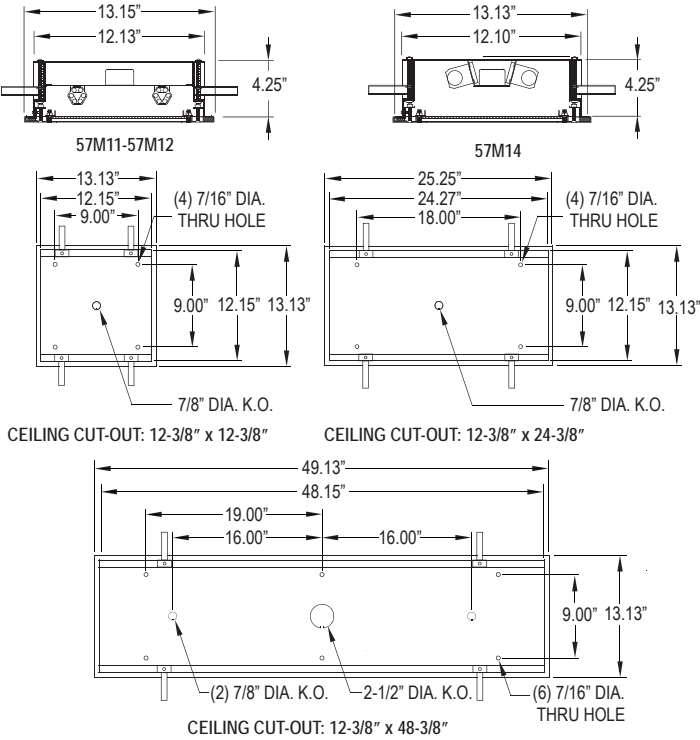
CONFINEMENT SERIES

FLANGE LUMINAIRE

MINIMUM TO MAXIMUM SECURITY
FLUORESCENT/LED



DIMENSIONAL DATA



ORDERING INFORMATION

Product Family	Housing	Frame	# of Lamps	Lamp Type	# of Ballasts / Drivers		
57M							
57M11 13-1/8" x 13-1/8" x 4"	A = 12 Ga. CRS B = 14 Ga. CRS C = 16 Ga. CRS D = 18 Ga. CRS	A = 12 Ga. CRS B = 14 Ga. CRS C = 16 Ga. CRS E = 14 Ga. SS (Brushed)	Fluorescent: 57M11 1 = 1 Lamp 2 = 2 Lamp	LED 57M11: M1 = 1 Modular (13W) M2 = 2 Modular (26W) LED 57M12: L2 = LED 2 Rw (25W) L3 = LED 3 Rw (37.5W)	Fluorescent: 57M11: 26 = 26W Triple Gx24q-3 26Q = 26W Quad G24q-3 32 = 32W Triple Gx24q-3 42 = 42W Triple Gx24q-4 57M14: 32 = 32W T8 28 = 28W T5 54 = 54W T5 HO	LED 57M12: 17 = Linear 17W T8 14 = Linear 14W T5 24 = Linear 24W T5 HO 40 = 40 Twin 2Gx11 U6 = 32W U-Lamp(6" spac) Δ	Fluorescent: 1 = 1 Ballast 2 = 2 Ballast LED: 1 = 1 Driver 2 = 2 Driver
57M12 13-1/8" x 25-1/16" x 4"	E = 14 Ga. SS F = 16 Ga. SS G = 18 Ga. SS H = 14 Ga. SS (Painted) J = 16 Ga. SS (Painted) K = 18 Ga. SS (Painted)	F = 16 Ga. SS (Brushed) H = 14 Ga. SS (Painted) J = 16 Ga. SS (Painted)	57M12-57M14 1 = 1 Lamp 2 = 2 Lamp 3 = 3 Lamp	LED 57M14: L2 = LED 2 Rw (50W) L3 = LED 3 Rw (75W)	LED 57M11-57M12-57M14: 35 = White 3500° K 40 = White 4000° K 50 = White 5000° K		
57M14 13-1/8" x 49-1/8" x 4"		J = 16 Ga. SS (Painted)					

Outer Lens	Inner Lens	Voltage	Options
Ø = No Lens 4 = .500 Clear Poly. A = .125 Clear Poly. B = .156 Clear Poly. C = .187 Clear Poly. D = .250 Clear Poly. E = .375 Clear Poly. F = .500 Clear Poly.	Ø = No Lens A = .125 Pris. Acrylic B = .125 Pris. Poly. C = .156 Pris. Poly. D = .187 Pris. Poly. E = .156 Pris. Temp. Glass F = .156 Pris. Acrylic G = .140 DR Acrylic LC3 = .125 White Frosted Poly.	12 = 120V 27 = 277V 34 = 347V UN = Universal (120V-277V)	DB = Dimming Ballast (0-10V) * DM1% = Dimming Driver 1% SD2 = Step Dim. Module(50-100%) SD3 = Step Dim. Module(25-50-100%) SD3A=Step Dim. Module(33-66-100%) PR = Program Rapid Start FZ = Fuse * NL = Fluorescent Night Light * LN = LED Night Light. Consult factory for available color/temperatures. AH = Allenhead Screws w/ctr. pin reject WL = Wet Location (covered ceiling only)
1 = .187 Clear Poly. 2 = .250 Clear Poly. 3 = .375 Clear Poly.			E1 = Emerg. Battery Pack * ◀◀ (450 Lumens) E2 = Emergency Battery Pack * ◀◀ (1100 Lumens) EL1= Emerg. Bat. LED Low EL2= Emerg. Bat. LED High TM = Tandem Mount UV = .005 UV Absorbing Overlay PF = Plaster Frame & Yolk CB = Cross Bar CP = Concrete Pour Box used with full frame.

^ Must Use 12 or 14 Gauge Frame
 * Cannot use with universal voltage option
 ■ Consult factory for lamp-ballast options

◀ Consult factory for T5 availability
 Δ 1 lamp only
 ◆ Not available in LED
 • Two Lamp only



PROJECT: _____

TYPE: _____

PRODUCT: _____

APPROVED: _____

DATE: _____

FEATURES

The New Star " 57M11-57M12-57M14 " Confinement flange fixture is designed for confinement applications in recessed drywall ceiling

- 18-14 AWG cold rolled or stainless steel
- 16 gauge full length continuous staked piano hinge with welded ends
- Wide variety of lens options held in place with Z-Channel and weld studs
- Swing arm mounting system for easy installation
- Optional wet location(covered ceiling only)
- Dimming Driver (0-10V) standard
- 1% Dimming available
- Optional plaster frame yoke assembly available
- Torx head center pin screws standard
- Black neoprene gasket around interior door frame to prevent light leaks.

APPLICATION

- Confinement
- Psychiatric Wards
- Detention Centers
- Public Housing Complexes
- Transportation Applications
- Athletic Facilities
- Locker Rooms

SPECIFICATION FEATURES

HOUSING:

Die formed, seam welded, and ground smooth (specify material and gauge). Incorporates a removable reflector unitized with all electrical components for easy installation and maintenance.

FRAME:

Die formed one-piece frame with tightly closed corners. (material and gauge to match housing).

HINGE:

16 gauge full length continuous, staked piano hinge, with welded ends. to prevent removal (material to match housing).

LENS / LENS RETENTION:

Lens per specification (see options) and secured by "Z" retainers with weld studs spaced six inches apart for maximum strength.

FLUORESCENT ELECTRONICS:

Electronic Ballast <10% THD standard. Lamps by others.

LED Constant Current:

Available in three standard color temperatures 3500°K, 4000°K & 5000°K. Other color temperatures available, consult factory.

LED NIGHT LIGHT:

Integrated switch allows light selection at 100%,70%,40% and 10% levels

GASKET:

Black neoprene gasket around interior door frame to prevent light leaks.

FASTENERS:

Tamper resistant countersunk, flat head Torx screws with center pin reject

FINISH:

White powercoat finish following an iron phosphate pre-treatment.

INSTALLATION:

Easy installation with adjustable 90° swing arm system standard.

LABEL:



Notes:

Specifications and Dimensions are subject to change without notice. For additional options and dimensional details please consult your New Star Lighting Representative. For specific electronic ballast, specify brand and catalog number.



57M12-57M14



Based on a .125 Clear Polycarbonate Outer lens / .125 Prismatic Acrylic Inner lens

# LED BOARDS	# ROWS	WATTAGE	EFFICACY (lm/W)	DELIVERED LUMENS
57M11:				
M1	1 MD	(25W)	100	2,500 LMS
57M12:				
L2	2 Rw	(25W)	110	2,750 LMS
L3	3 Rw	(37.5W)	110	4,125 LMS
57M14:				
L2	2 Rw	(50W)	110	5,550 LMS
L3	3 Rw	(75W)	110	8,250 LMS

TAKE AN ADDITIONAL 20% OFF DELEIVERED LUMENS WHEN SPECIFYING THE LC3 LENS