

620 MAX EXIT LED

620SF/620DF

SPECIFICATION FEATURES

- HOUSING:** Die formed, seam welded and ground smooth 14 gauge cold rolled steel. Illumination from bottom of the fixture for added wayfinding.
- DOOR:** One piece die formed 14 gauge cold rolled steel.
- LED:** Input voltage of 120V or 277V.
- FASTENERS:** Tamper resistant head screws with center pin reject.
- FINISH:** White powder coat finish following iron phosphate pre-treatment.
- ARROW COVERS:** Internally removeable to permit field changing to meet all arrow conditions. Two per door frame.
- APPLICATION:** Confinement, Public Housing Complexes, Schools, Military Barracks, Locker Rooms, and more.



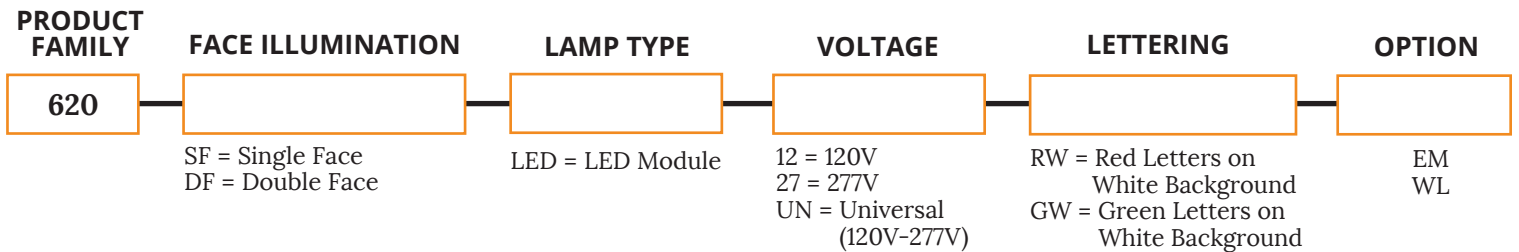
LABEL:

Fixture is certified to UL standards by Intertek Testing Laboratories.



ORDERING INFORMATION

Ex: 620-SF-LED-UN-RW-EM

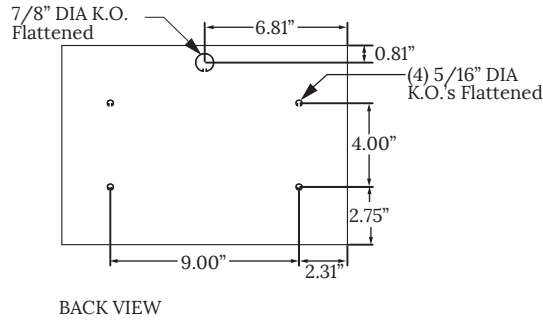
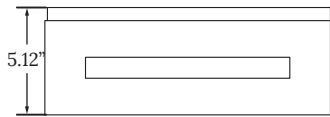
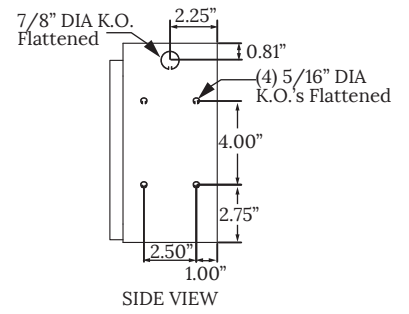
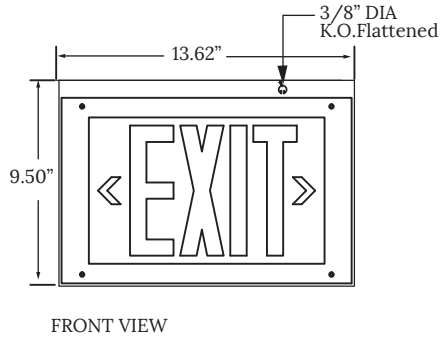
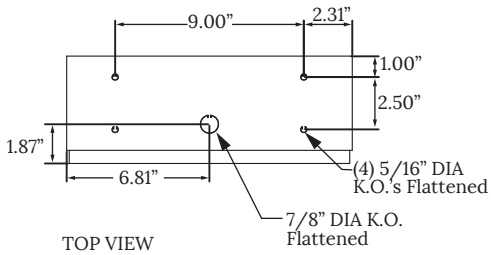


KEY

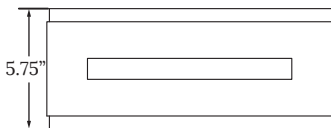
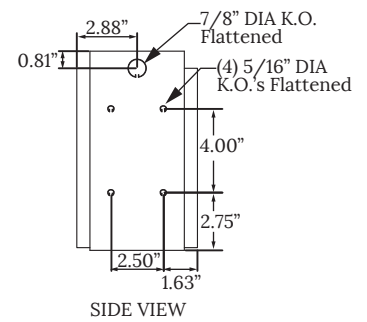
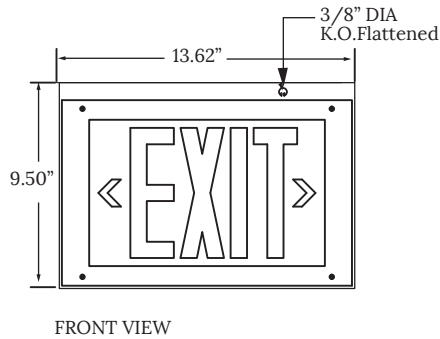
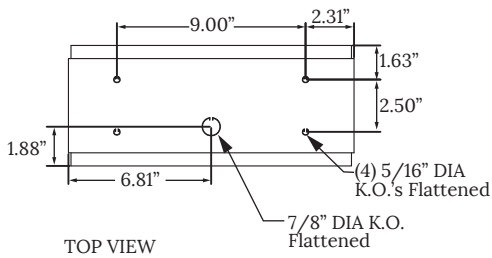
EM = Emergency Battery
WL = Wet Location

DIMENSIONAL DATA

SINGLE FACE 620



DOUBLE FACE 620



Notes:
 Specifications and Dimensions are subject to change without notice.
 For additional options and dimensional details please consult your New Star Lighting Representative.