

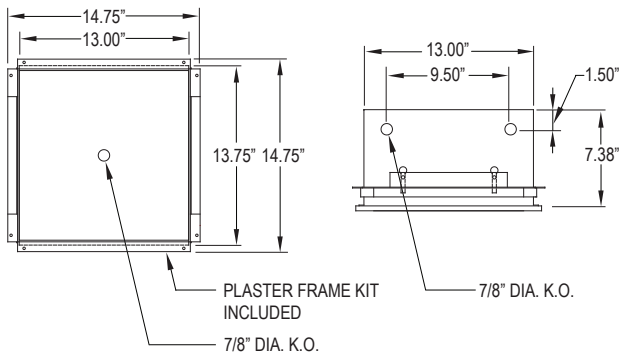
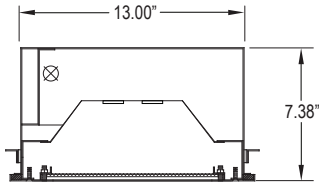
85

HIGH ABUSE SERIES RECESSED FLANGE LUMINAIRE LED



PROJECT:
TYPE:
PRODUCT:
APPROVED:
DATE:

DIMENSIONAL DATA



FEATURES

The New Star "85" High Abuse fixture excels at low maintenance while delivering unequaled performance.

- Recessed flanged luminaire made of heavy gauge steel housing and one piece die formed door frame for maximum vandal resistance
- Iron phosphate pretreated and finished in oven baked white polyester powder coat
- Dimming Driver (0-10V) standard
- Polycarbonate or tempered glass lensing available

APPLICATION

- Parking Garages
- Industrial Buildings
- Schools
- Building Canopies
- Detention Centers
- Stairways
- Gymnasiums

SPECIFICATION FEATURES

HOUSING:

18 ga. formed cold rolled steel housing with continuous seam welds.

DOOR:

One piece die formed in CRS on stainless steel.

HINGE:

16 ga. continuous, staked -on piano hinge with welded end to prevent removal.

LENS:

Polycarbonate or tempered glass lens sealed to frame.

LED:

Available in three standard color temperatures 3500°K, 4000°K & 5000°K. Other color temperatures available, consult factory.

GASKET:

Black polyurethane around inside perimeter of door frame to seal out dust and prevent light leaks.

FASTENERS:

Tamper resistant Torx head screws with center pin reject.

FINISH:

Polyester powdercoat following a 5 stage iron phosphate pre-treatment.

LABEL:



ORDERING INFORMATION

Product Family	Housing	Frame	# of Lamp	Lamp Type	Outer	Inner
850						
850 13" x 13-3/4" x 7-3/4"	HC = Housing 20Ga. CRS(Standard) HA = Housing Aluminum 16 Ga. HS = Housing 20Ga.Stainless Steel HP = Housing 20Ga.Stainless Steel Painted	Overlap Frame Options IP65: OC = 18Ga. CRS(Standard) OS = 18Ga. S.S (Brushed) OP = 18Ga. S.S.(Painted) OA = Aluminum (Painted)	LED: M1 = 1 LED Module (2,500 lms) (25w) M2 = 2 LED Module (5,000 lms) (50w)	LED: 35 = White 3500° K 40 = White 4000° K 50 = White 5000° K	Ø = No Lens A = .125 Clear Poly. B = .156 Clear Poly. 1 = .187 Clear Poly. 2 = .250 Clear Poly. 6 = .250 Clear Temp.Glass 7 = .375 Clear Temp.Glass	Ø = No Lens A = .125 Prismatic Acrylic B = .125 Prismatic Polycarbonate C = .156 Prismatic Polycarbonate D = .187 Prismatic Polycarbonate E = .156 Pris. Temp. Glass LC3 = .125 White Frosted Polycarbonate

Voltage

- 12 = 120V
- 27 = 277V
- 34 = 347V ■
- UN = Universal (120V-277V)

Options

- FZ = GLR fuse and holder *
- TH = Torx Head screws(with center pin)
- AH = Allenhead Screws w/ctr. pin reject
- WL = Wet Location (covered ceiling only)
- LN = LED Night Light. Consult factory for available color/temperatures.
- SD2 = Step Dim. Module(50-100%)▲
- SD3 = Step Dim. Module(25-50-100%)▲
- SD3A=Step Dim. Module(33-66-100%)▲

* Cannot use with universal voltage option
■ Consult factory for lamp-ballast options

▲ Not available in 277V

Notes:
Specifications and Dimensions are subject to change without notice. For additional options and dimensional details please consult your New Star Lighting Representative. For specific electronic ballast, specify brand and catalog number.

