

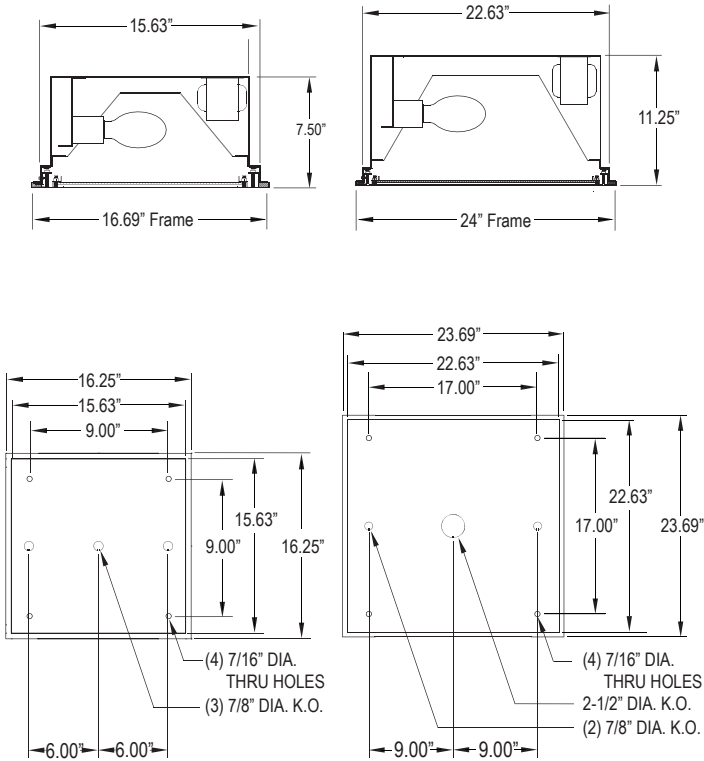
# 87F16-87F24

CONFINEMENT SERIES  
RECESSED FLANGE LUMINAIRE  
MINIMUM TO MAXIMUM SECURITY  
FLUORESCENT/LED



PROJECT:
TYPE:
PRODUCT:
APPROVED:
DATE:

## DIMENSIONAL DATA



## FEATURES

The New Star 87F16-87F24 " Confinement recessed flange fixture is composed of a solid square housing die formed in CRS

- 18-14 gauge cold rolled or stainless steel
- 16 gauge full length continuous staked piano hinge with welded ends
- Flange security fixture designed for confinement applications and recessed drywall ceiling
- Wide variety of lens options held in place with Z-Channel and weld studs
- Optional plaster frame yoke assembly available
- Torx head center pin screws standard
- Black neoprene gasket around interior door frame to prevent light leaks.

## APPLICATION

- Confinement
- Gymnasiums
- Warehouses
- Schools
- Parking Structures
- Public Areas
- Public Areas
- Locker Rooms
- Psychiatric Wards
- Detention Centers
- Public Housing Complexes
- Athletic Facilities

## SPECIFICATION FEATURES

### HOUSING:

Die formed, seam welded, and ground smooth (specify material and gauge). Incorporates a removable reflector unitized with all electrical components for easy installation and maintenance.

### FRAME:

Die formed one-piece frame with tightly closed corners. (material and gauge to match housing).

### HINGE:

16 gauge full length continuous, staked piano hinge, with welded ends. to prevent removal (material to match housing).

### LENS / LENS RETENTION:

Lens per specification (see options) and secured by "Z" retainers with weld studs spaced six inches apart for maximum strength.

### ELECTRONICS:

Fluorescent:  
Electronic Ballast <10% THD standard. RIF available. Lamps by others.

### LED:

Available in three standard color temperatures 3500°K, 4000°K & 5000°K. Other color temperatures available, consult factory.

### GASKET:

Black neoprene gasket around interior door frame to prevent light leaks.

### FASTENERS:

Tamper resistant countersunk, flat head Torx screws, with center pin reject and captive cage nuts are standard ( options for others)

### FINISH:

Polyester powdercoat with 92% reflectance, following a 5 stage iron

### LABEL:



## ORDERING INFORMATION

Product Family	Housing	Frame	# of Lamps	Lamp Type	# Ballasts/Drivers	
<b>87F_</b>						
87F16 16-5/8" x 16-5/8" x 7-1/2"	A = 12 Ga. CRS G = 18 Ga. SS B = 14 Ga. CRS (Brushed) C = 16 Ga. CRS H = 14 Ga. SS D = 18 Ga. CRS (Painted) E = 14 Ga. SS J = 16 Ga. SS (Brushed) F = 16 Ga. SS K = 18 Ga. SS (Brushed)	A = 12 Ga. CRS G = 18 Ga. SS B = 14 Ga. CRS (Brushed) C = 16 Ga. CRS H = 14 Ga. SS D = 18 Ga. CRS (Painted) E = 14 Ga. SS J = 16 Ga. SS (Brushed) F = 16 Ga. SS K = 18 Ga. SS (Painted)	FLUORESCENT: 87F16-24 1 = 1 Lamp 2 = 2 Lamp HID: 1 = 1 Lamp LED: 87F16-24 L2 = LED 2 Bds(5000lms) L3 = LED 3 Bds(7500lms)	FLUORESCENT 87F16-24 42 = 42W Triple Gx24q-4 57 = 57W Triple Gx24q-5 70 = 70W Triple Gx24q-6 LED:- 35 = White 3500° K 40 = White 4000° K 50 = White 5000° K	87F16-24 HID 50 = 50W MH - HPS∞ 70 = 70W MH - HPS∞ 100 = 100W MH - HPS∞ 150 = 150W MH - HPS∞ 87F16-24 HID 150 = 150W MH - HPS∞ 250 = 250W MH - HPS∞ 400 = 400W MH - HPS∞	Fluorescent: LED: 1 = Ballast 1 = Driver 2 = Ballast 2 = Driver
87F24 23-5/8" x 23-5/8" x 11-1/2"						

Outer Lens	Inner Lens	Voltage	Options
∅ = No Lens 1 = .187 Clear Poly. 2 = .250 Clear Poly. 3 = .375 Clear Poly. 5 = .187 Clear Temp. Glass 6 = .250 Clear Temp. Glass 7 = .375 Clear Temp. Glass ^ 8 = .500 Clear Temp. Glass ^ 9 = .750 Clear Temp. Glass ^	∅ = No Lens C = .156 Pris. Poly. ^ E = .156 Pris. Temp. Glass L = .187 Prismatic Tempered Glass ^ LC3 = .125 White Frosted Polycarbonate	12 = 120V 27 = 277V 34 = 347V ■ UN = Universal (120V-277V)	E1 = Emerg. Bat.(350-700 Lumens) for CFL * EL1= Emerg. Bat. LED Low EL2= Emerg. Bat. LED High FZ = GLR fuse and holder AL = Aluminum door frame (white finish) SS = Stainless Steel door frame (#4 finish)
<p>^ Must Use 12 or 14 Gauge Frame</p> <p>f Fluorescent lamps only</p> <p>* Cannot use with universal voltage option</p> <p>∞ Must use glass inner lens when using HID lamp source</p> <p>■ Consult factory for lamp-ballast options</p>			