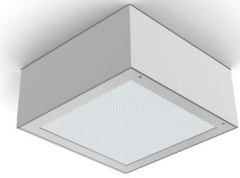


# 87S SERIES LED

87S16/87S24

## SPECIFICATION FEATURES

- HOUSING:** Die formed, seam welded, and ground smooth cold rolled steel or stainless steel square housing design. Incorporates a removable reflector unitized with all electrical components for easy installation and maintenance.
- FRAME:** Die formed one-piece frame with tightly closed corners (material and gauge to match housing).
- HINGE:** 16 gauge full length continuous, staked piano hinge with welded ends to prevent removal (material to match housing).
- LENS:** Polycarbonate or tempered glass lens sealed to frame.
- LENS RETENTION:** 14 gauge cold rolled steel retaining angles attached to through door studs for positive lens clamping.
- LED:** Available in three color temperatures 3500°K, 4000°K and 5000°K. Other color temperatures available, consult factory. Standard 0-10V driver provided. Optional dimming function (DM) with 10-100% range.
- FASTENERS:** Tamper resistant countersunk flat head Torx screws with center pin reject.
- FINISH:** White powder coat finish following iron phosphate pre-treatment.
- GASKET:** Black neoprene gasket around door frame to prevent light leaks.



### APPLICATION:

Minimum to Maximum Security, Psychiatric Wards, Public Housing, Detention Centers, Transportation, Athletic Facilities, and more.

### MOUNTING:

Surface installation.

### LABEL:

Fixture is certified to UL standards.



## ORDERING INFORMATION

Ex: 87S24-A/B-L2401-2/C-UN

PRODUCT FAMILY	NOMINAL SIZE <small>*Dimensional Data Pg. 2</small>	HOUSING	FRAME	LUMEN OUTPUT**	LAMP TYPE
87S	16 = 15.5" x 15.5" x 7.5" 24 = 22.5" x 22.5" x 11.25"	A = 12Ga. CRS B = 14Ga. CRS C = 16Ga. CRS D = 18Ga. CRS E = 14Ga. SS (Brushed) F = 16Ga. SS (Brushed) G = 18Ga. SS (Brushed) H = 14Ga. SS (Painted) J = 16Ga. SS (Painted) K = 18Ga. SS (Painted)	A = 12Ga. CRS B = 14Ga. CRS C = 16Ga. CRS D = 18Ga. CRS E = 14Ga. SS (Brushed) F = 16Ga. SS (Brushed) G = 18Ga. SS (Brushed) H = 14Ga. SS (Painted) J = 16Ga. SS (Painted) K = 18Ga. SS (Painted)	L2 = 5000lm L3 = 7500lm	35 = 3500°K 40 = 4000°K 50 = 5000°K

CIRCUITS	OUTER LENS	INNER LENS	VOLTAGE	OPTIONS
1 = 1 Circuit 2 = 2 Circuits	0 = No Lens 1 = .187 Clear Poly 2 = .250 Clear Poly. 3 = .375 Clear Poly. 5 = .187 Clear Temp. Glass 6 = .250 Clear Temp. Glass 7 = .375 Clear Temp. Glass ^ 8 = .500 Clear Temp. Glass ^ 9 = .750 Clear Temp. Glass ^ LC3 = .125 White Frosted Poly.	0 = No Lens C = .156 Prismatic Poly. E = .156 Prismatic Temp. Glass L = .187 Prismatic Temp. Glass	12 = 120V 27 = 277V 34 = 347V UN = Universal (120V-277V)	FZ* AL SS QR DM

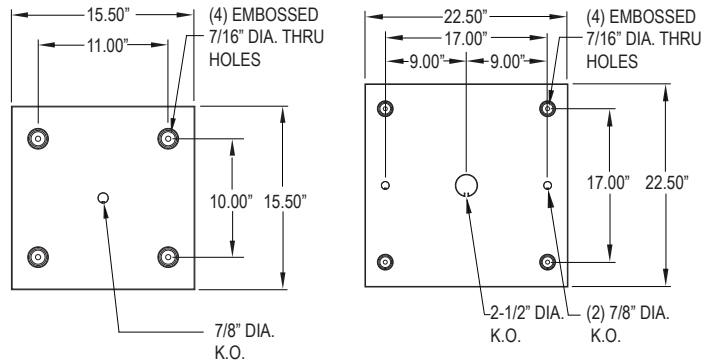
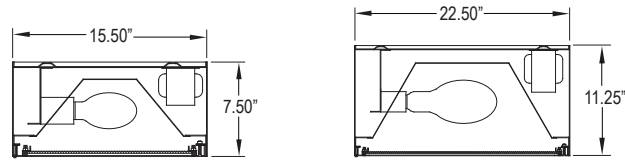
### KEY

- FZ = Fuse\*  
AL = Aluminum door frame (white finish)  
SS = Stainless Steel door frame (#4 finish)  
QR = Quartz Restrike system  
DM = 0-10V dimming with 10-100% range.
- \* Cannot use with UN voltage  
.. Subject to change  
^ Must use with 12Ga. or 14Ga. Frame

Dimming wires will be extended outside of fixture.

Notes:  
Specifications and Dimensions are subject to change without notice.  
For additional options and dimensional details please consult your New Star Lighting Representative.

## DIMENSIONAL DATA

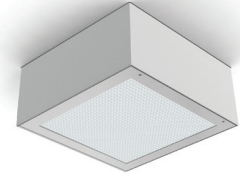


# 87S SERIES FLUORESCENT/HID

87S16/87S24

## SPECIFICATION FEATURES

- HOUSING:** Die formed, seam welded, and ground smooth cold rolled steel or stainless steel square housing design. Incorporates a removable reflector unitized with all electrical components for easy installation and maintenance.
- FRAME:** Die formed one-piece frame with tightly closed corners (material and gauge to match housing).
- HINGE:** 16 gauge full length continuous, staked piano hinge with welded ends to prevent removal (material to match housing).
- LENS:** Polycarbonate or tempered glass lens sealed to frame.
- LENS RETENTION:** 14 gauge cold rolled steel retaining angles attached to through door studs for positive lens clamping.
- ELECTRONICS:** Electronic Ballast <10% THD standard. Lamps by others.
- BALLASTS:** Fluorescent Ballast: UL Listed Class P.  
HID Ballast: UL Listed HPF Type.
- FASTENERS:** Tamper resistant countersunk flat head Torx screws with center pin reject.
- FINISH:** White powder coat finish following iron phosphate pre-treatment.
- GASKET:** Black neoprene gasket around door frame to prevent light leaks.



### APPLICATION:

Minimum to Maximum Security, Psychiatric Wards, Public Housing, Detention Centers, Transportation, Athletic Facilities, and more.

### MOUNTING:

Surface installation.

### LABEL:

Fixture is certified to UL standards.



## ORDERING INFORMATION

Ex: 87S24-A/B-1421-2/C-UN

PRODUCT FAMILY	NOMINAL SIZE <small>*Dimensional Data Pg. 2</small>	HOUSING	FRAME	# OF LAMPS	
87S	16 = 15.5" x 15.5" x 7.5" 24 = 22.5" x 22.5" x 11.25"	A = 12Ga. CRS B = 14Ga. CRS C = 16Ga. CRS D = 18Ga. CRS E = 14Ga. SS (Brushed) F = 16Ga. SS (Brushed) G = 18Ga. SS (Brushed) H = 14Ga. SS (Painted) J = 16Ga. SS (Painted) K = 18Ga. SS (Painted)	A = 12Ga. CRS B = 14Ga. CRS C = 16Ga. CRS D = 18Ga. CRS E = 14Ga. SS (Brushed) F = 16Ga. SS (Brushed) G = 18Ga. SS (Brushed) H = 14Ga. SS (Painted) J = 16Ga. SS (Painted) K = 18Ga. SS (Painted)	Fluorescent: 1 = 1 Lamp 2 = 2 Lamps HID: 1 = 1 Lamp	
LAMP TYPE	# OF BALLASTS	OUTER LENS	INNER LENS	VOLTAGE	OPTIONS
87S16 Fluorescent: 42 = 42W Triple Gx24q-4 57 = 57W T4 4-Pin Gx24q-5 70 = 70W T4 4-Pin Gx24q-6	1 = 1 Ballast 2 = 2 Ballasts	0 = No Lens 1 = .187 Clear Poly 2 = .250 Clear Poly. 3 = .375 Clear Poly.	0 = No Lens C = .156 Prismatic Poly. E = .156 Prismatic Temp. Glass L = .187 Prismatic Temp. Glass	12 = 120V 27 = 277V 34 = 347V UN = Universal (120V-277V)	E1 FZ* AL SS QR
87S24 Fluorescent: 42 = 42W Triple Gx24q-4 57 = 57W CFL Gx24q-5 70 = 70W CFL Gx24q-6		5 = .187 Clear Temp. Glass 6 = .250 Clear Temp. Glass 7 = .375 Clear Temp. Glass ^ 8 = .500 Clear Temp. Glass ^ 9 = .750 Clear Temp. Glass ^ LC3 = .125 White Frosted Poly.			
87S16 HID: 50 = 50W MH - HPS∞ 70 = 70W MH - HPS∞ 100 = 100W MH - HPS∞ 150 = 150W MH - HPS∞					
87S24 HID: 150 = 150W MH - HPS∞ 250 = 250W MH - HPS∞ 400 = 400W MH - HPS∞					

### KEY

- E1 = Emergency Battery\* for CFL only
- FZ = Fuse\*
- AL = Aluminum door frame (white finish)
- SS = Stainless Steel door frame (#4 finish)
- QR = Quartz Restrike system

- \* Cannot use with UN voltage
- \*\* Subject to change
- ∞ Must use glass inner lens when using HID
- ^ Must use with 12Ga. or 14Ga. Frame

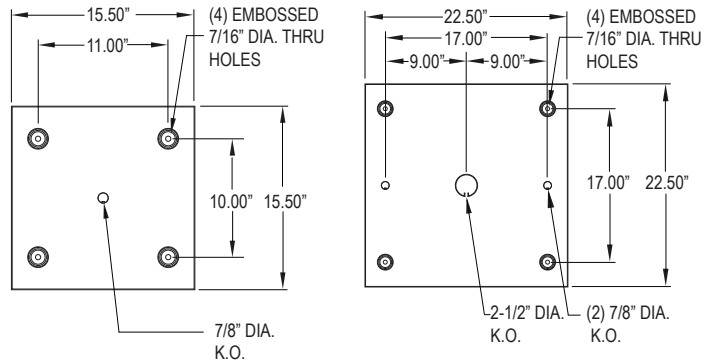
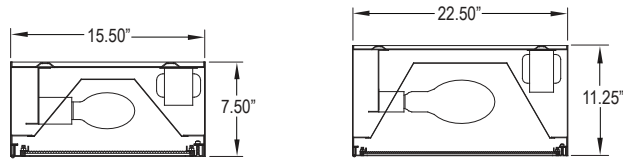
Notes:  
Specifications and Dimensions are subject to change without notice.  
For additional options and dimensional details please consult your New Star Lighting Representative.

# 87S SERIES FLUORESCENT/HID

87S16/87S24



## DIMENSIONAL DATA



Notes:  
Specifications and Dimensions are subject to change without notice.  
For additional options and dimensional details please consult your New Star Lighting Representative.