

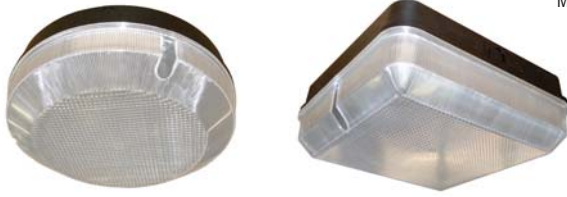
# NSP-R/S

## HIGH ABUSE SERIES

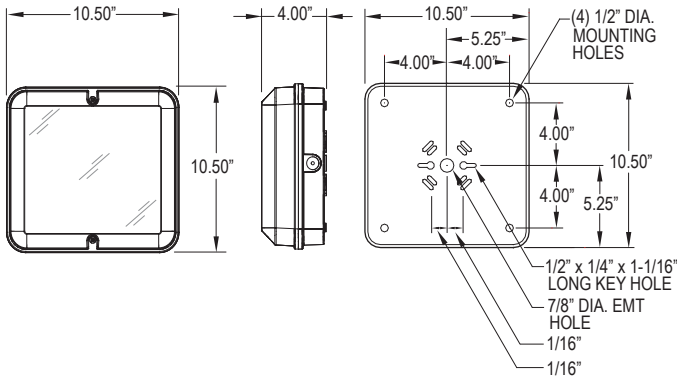
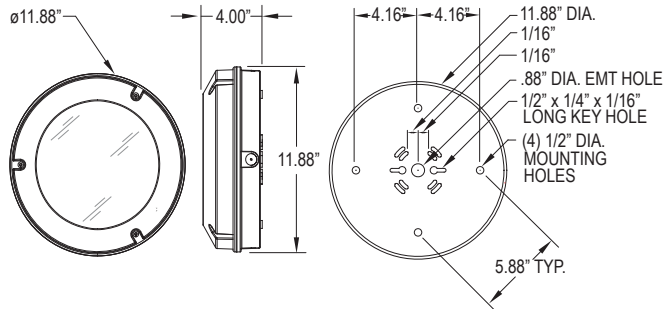
SURFACE LUMINAIRE  
FLUORESCENT / LED



Made in America



### DIMENSIONAL DATA



PROJECT: \_\_\_\_\_

TYPE: \_\_\_\_\_

PRODUCT NUMBER: \_\_\_\_\_

APPROVED BY: \_\_\_\_\_

DATE: \_\_\_\_\_

### FEATURES

The NSP R/S is a quality driven fixture that excels at providing strength with uncomplicated style. The rounded edges in our circle design motif provide a pleasing shape while maintaining strength.

- The edges provide extra strength by dissipating the kinetic energy from a physical impact throughout the fixture
- The housing and lens are injection molded from a UV stabilized Polycarbonate.
- The lens features an integral gasket
- All lens attachment points are sealed with grommets to provide a tight seal.
- This fixture utilizes a J-Box knockout and level bar for a quick and easy install saving labor cost and time.

### APPLICATION

- Public Areas
- Corridors
- Walls
- Stairways
- Schools
- Underpasses

### SPECIFICATION FEATURES

#### HOUSING:

Injection molded UV stabilized to a specification grade thickness. Conduit drill points allow for use with industry standard conduit and hubs for non junction box installations

#### LENS:

125" thick. Injection molded lens with radial prisms, to provide superior illumination. Lenses are molded from UV stabilized polycarbonate. (Clear ribbed, frost ribbed, or white available.)

#### ELECTRONICS:

Fluorescent:  
Electronic Ballast <10% THD standard.

LED:  
20W on 4 LED modules. Available in three color temperatures (3500° K, 4000° K & 5000° K).

#### REFLECTOR:

White CRS for high reflectivity.

#### GASKET:

Extruded and spliced EPDM ribbed rubber gasket for lens.

#### FASTENERS:

Tamper resistant Torx head screws with center pin reject.

#### FINISH:

Available in black or white

#### LABEL



### ORDERING INFORMATION

Product Family	# of Lamps	Lamp Type	Lens	Voltage	Color	Options
<b>NSP_</b>	-	-	-	-	-	-
NSP-S 10-1/2" x 10-1/2" x 4"	1 = 1 Lamp 2 = 2 Lamp	7TW = 7W Twin G-23 9TW = 9W Twin G-23 13TW = 13W Twin Gx23 13 = 13W Triple Gx24q-1 13Q = 13W Quad G24q-1 <b>LED:</b> L35 = 3500°K • L40 = 4000°K • L50 = 5000°K •	FP = Frosted Polycarbonate Diffuser PP = Prismatic Polycarbonate Diffuser WP = White Polycarbonate Diffuser	12 = 120V 27 = 277V 34 = 347V ■ UN = Universal (120V-277V)	BK = Black WH = White	EM = Emergency Battery * (350-700 Lumens) for CFL FZ = Single Fusing * PC = Photocell * CW = Cold Weather Ballast

\* Cannot use with universal voltage option  
■ Consult factory for lamp-ballast options

