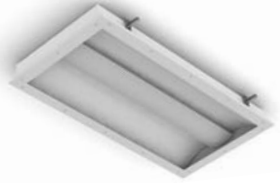


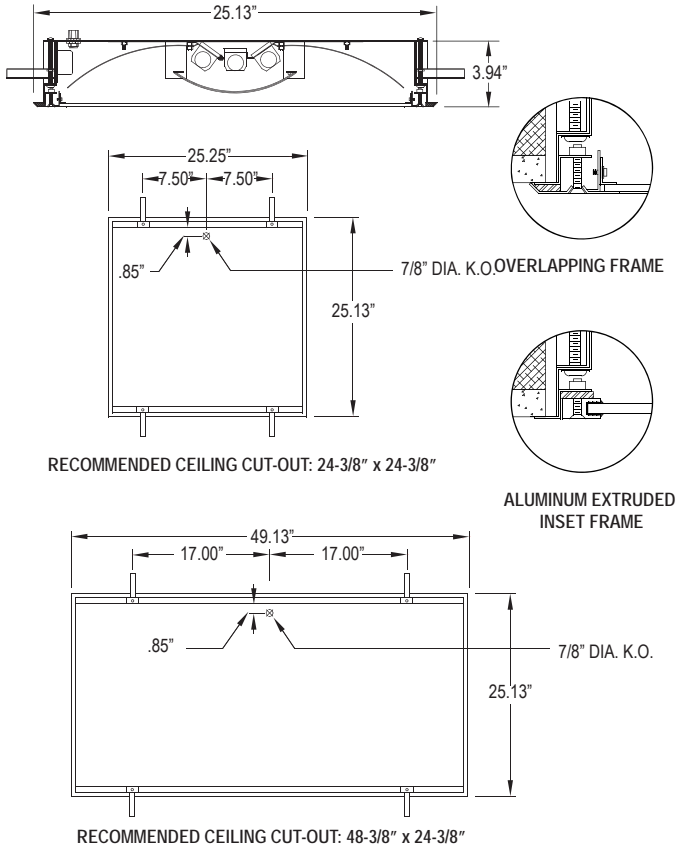
# AURAMED 22-24 FLANGE

HEALTHCARE SERIES  
GLAREFREE FLANGE LUMINAIRE  
FLUORESCENT/LED



PROJECT:
TYPE:
PRODUCT:
APPROVED:
DATE:

## DIMENSIONAL DATA



## FEATURES

The New Star "AuraMed F22-F24" Glare free Indirect fixture is designed for use in surgical suites and medical settings which employ laminar or turbulent cleanroom airflow and areas where clean is critical.

- Enclosed design to insure ingress protection
- "Swing arm" mounting system for easy installation
- Optional plaster frame yolk assembly available
- Standard overlapping frame made from single sheet CRS with beveled edges
- Inset frame fabricated from extruded aluminum
- Sealed, reinforced mitered corners
- Gasketed for contamination control
- Lens options for different high tech medical needs
- Smooth surface for minimal maintenance
- Accommodates extreme cleaning protocols

## APPLICATION

- Patient Examination Rooms
- Psychiatric Wards
- Hospitals
- Laboratories
- High Tech Manufacturing

## SPECIFICATION FEATURES

### HOUSING:

20 gauge formed cold rolled steel housing with continuous seam welds. Aluminum and stainless steel option available. Manufactured in accordance with NSF standards.

### FRAME:

Inset extruded door available in anodized aluminum or white painted aluminum. Overlapping door frame available in aluminum, CRS and stainless steel. Frame fastened to housing via aircraft cable.

### LENS:

Acrylic lens with optional RFI and symmetric/asymmetric pattern, smooth side out. Overlapping frame uses a rail hold down system with silicone sealant.

### ELECTRONICS:

Fluorescent:  
Electronic Ballast <10% THD standard. RIF available. Lamps by others.

### LED:

Available in three standard color temperatures 3500°K, 4000°K & 5000°K. Other color temperatures available, consult factory.

### INNER LAMP DIFFUSER:

Perforated metal screen painted white. Lined with .020" thick white acrylic diffuser.

### LED NIGHT LIGHT:

Integrated switch allows light selection at 100%,70%,40% and 10% levels

### GASKET:

Closed cell PVC or extruded silicone gaskets prevent air contaminants from entering room.

### FASTENERS:

Phillips flat head screws with captive cage

### FINISH:

White Antimicrobial powdercoat finish following iron phosphate pre-treatment.

### INSTALLATION:

Easy installation with adjustable 90° swing arm system standard.

**LABEL:** **Damp Location**

## ORDERING INFORMATION

Product Family	Housing Matl.	Frame	# of Lamps	Lamp Type
<b>AAF_</b>				
<b>AAF22</b> 25-1/8" x 25-1/4" x 3-15/16"	HC = 20Ga. CRS (Standard)	Overlap Frame Options IP65: OC = 18Ga. CRS(Standard) OS = 18Ga. S.S (Brushed) OP = 18Ga. S.S.(Painted) OA = Aluminum (Painted)	Fluorescent: AAF22-AAF24 2 = 2 Lamp 3 = 3 Lamp LED AAF24: L2 = LED 2 Rw(50.0W) L3 = LED 3 Rw(75.0W) L4 = LED 4 Rw((100.0W)	AAF22 17 = Linear 17W T8 14 = Linear 14W T5 24 = Linear 24W T5 HO AAF24 32 = Linear 32W T8 28 = Linear 28W T5 54 = Linear 54W T5 HO
<b>AAF24</b> 25-1/8" x 49-1/8" x 3-15/16"	HS = 20Ga. S.S HP = 20Ga. S.S (Painted) HA = Alum. (Painted)	Inset Frame Options: IE = Extruded Alum.No IP65 IP = Extruded Alum. (Painted) No IP65 IC = 18Ga. CRS IP65 IA = Alum.(Painted) IP65 IB = 18Ga. S.S. (Brushed) IP65 IS = 18Ga. S.S. (Painted) IP65		
# of Ballasts/Drivers	Bottom Lens	Voltage	Options	
Fluorescent: 1 = Ballast 2 = Ballast	1 = .187 Clear Polycarbonate 2 = .250 Clear Polycarbonate ^ 5 = .187 Clear Tempered Glass ^ 6 = .250 Clear Tempered Glass ^	12 = 120V 27 = 277V 34 = 347V ■ UN = Universal (120V-277V)	DB = Dimming Ballast (0-10V) *♦ SD2 = Step Dim. Module(50-100%) SD3 = Step Dim. Module(25-50-100%) SD3A=Step Dim. Module(33-66-100%) PR = Program Rapid Start FZ = Fuse * LN = LED Night Light. Consult factory for available color/temperatures. 9C = CRI 90 (only available in L2 or L3)	
LED: 1 = Driver 2 = Driver			E1 = Emerg. Bat. Pack(450 Lumens) * ♦♦ E2 = Emerg. Bat. Pack (1100 Lumens) * ♦♦ EL1= Emerg. Bat. LED Low EL2= Emerg. Bat. LED High RF = RIF (Radio Interference Filter)* TH = Torx Head screws (with center pin) TM = Tandem Mount	

\* Cannot use with universal voltage option    ♦ Not available in LED  
^ Cannot use with inset door option    ■ Consult factory for lamp-ballast options

Notes:  
Specifications and Dimensions are subject to change without notice. For additional options and dimensional details please consult your New Star Lighting Representative. For specific electronic ballast, specify brand and catalog number.

