

STARCLEAN 12-14 CORNER

CLEANROOM SERIES

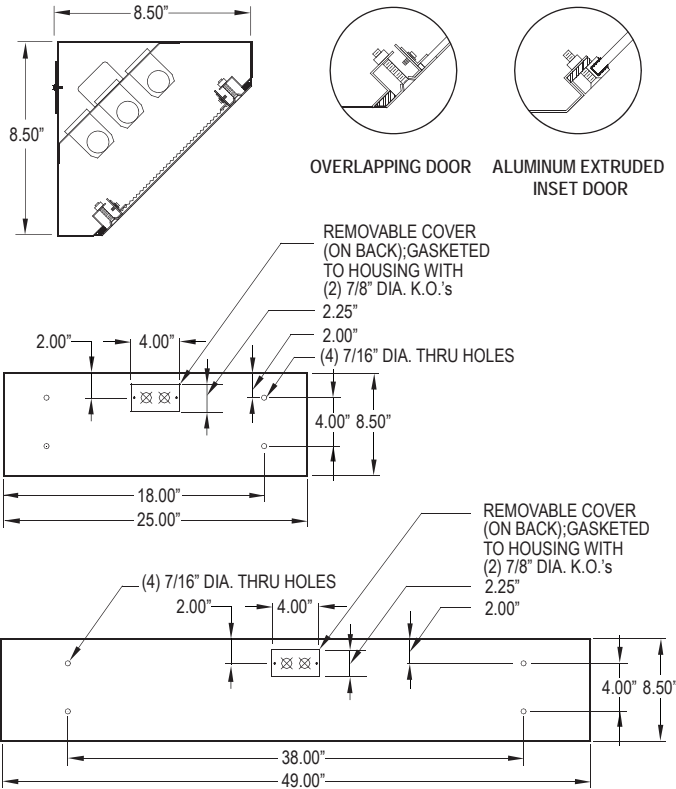
CORNER LUMINAIRE
FLUORESCENT/LED



Made in America

PROJECT:
TYPE:
PRODUCT:
APPROVED:
DATE:

DIMENSIONAL DATA



FEATURES

The New Star "StarClean C12-C24" Cleanroom fixture is designed for use in medical settings, labs, high-tech production facilities, food processing and areas where clean is critical.

- Surface housing utilizing enclosed design with seam welds to insure ingress protection
- Standard overlapping frame construction from a single sheet with beveled edges
- Inset frame fabrication from extruded aluminum with sealed, reinforced edges
- Specialized gasketing to provide contamination control
- Smooth surfaces for easy cleaning
- IP65 rated with overlap frame and inset CRS and aluminum painted only

APPLICATION

- Cleanroom
- Laboratory
- Hospital
- Food Processing Facilities
- Hi- Technology Manufacturing

SPECIFICATION FEATURES

HOUSING:

20 gauge formed cold rolled steel housing with continuous seam welds. Aluminum and stainless steel option available. Manufactured in accordance with NSF standards.

FRAME:

Inset extruded door available in anodized aluminum or white painted aluminum. Overlapping door frame available in aluminum, CRS and stainless steel. Frame fastened to housing via aircraft cable.

LENS:

Acrylic lens with optional RFI and symmetric/asymmetric pattern, smooth side out. Overlapping frame uses a rail hold down system.

ELECTRONICS:

Electronic Ballast <10% THD standard. RIF available. Lamps by others.

LED:

Available in three standard color temperatures 3500°K, 4000°K & 5000°K. Other color temperatures available, consult factory.

LED NIGHT LIGHT:

Integrated switch allows light selection at 100%, 70%, 40% and 10% levels

GASKET:

Closed cell pvc or extruded silicone gaskets prevent air contaminants from entering room.

FASTENERS:

Phillips flat head screws with captive cage nuts

FINISH:

White Antimicrobial powdercoat finish following iron phosphate pre-treatment.

LABEL:



ORDERING INFORMATION

Product Family	Housing Material	Frame	# of Lamps	Lamp Type
SCC_				
SCC12 8-1/2" x 25" x 8-1/2"	HC = 20Ga. CRS (Standard)	Overlap Door Options: OC = 18Ga. CRS OA = Alum. (Painted) (Standard) Inset Frame Options:	Fluorescent LED SCC12: SCC12-SCC14: L2 = 2 Rw (25W)	Fluorescent LED: SCC12: 35 = White 3500° K 17 = Linear 17W T8 40 = White 4000° K 14 = Linear 14W T5 50 = White 5000° K 24 = Linear 24W T5 HO
SCC14 8-1/2" x 49" x 8-1/2"	HS = 20Ga. S.S. HP = 20Ga. S.S (Painted) HA = Alum. (Painted)	OS = 18Ga. S.S (Brushed) No IP65 OP = 18Ga. S.S. (Painted) IP = Extruded Alum. (Painted) No IP65 IC = 18Ga. CRS IA = Aluminum (Painted)	2 = 2 Lamp L3 = 3 Rw (37.5W) 3 = 3 Lamp LED SCC14: L2 = 2 Rw (50W) L3 = 3 Rw (75W)	Fluorescent SCC14: 32 = Linear 32W T8 28 = Linear 28W T5 54 = Linear 54W T5 HO
# of Ballasts/Drivers	Lens	Voltage	Options	
Fluorescent: LED: 1 = 1 Ballast 1 = Driver 2 = 2 Ballast 2 = Driver	A = .125 Prismatic Acrylic B = .125 Prismatic Polycarbonate C = .156 Prismatic Polycarbonate D = .187 Prismatic Polycarbonate LC3 = .125 White Frosted Poly	12 = 120V 27 = 277V 34 = 347V ■ UN = Universal (120V-277V)	DB = Dimming Ballast (0-10V)* TH = Torx Head screws (with center pin) PR = Program Rapid Start FZ = Fuse * E1 = Emergency Battery Pack * ◀◀ (450 Lumens) NL = Fluorescent Night Light * E2 = Emergency Battery Pack * ◀◀ (1100 Lumens) LN = LED Night Light. Consult factory for available color /temperatures. RF = RIF (Radio Interference Filter) *	

* Cannot use with universal voltage option
◀ Consult factory for T5 availability

■ Consult factory for lamp-ballast options
◀ Not available in LED

Notes:

Specifications and Dimensions are subject to change without notice. For additional options and dimensional details please consult your New Star Lighting Representative. For specific electronic ballast, specify brand and catalog number.