

STARCLEAN 16-24 M FLANGE

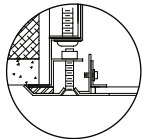
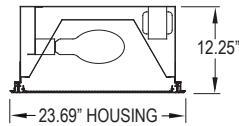
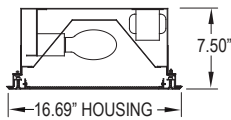
CLEANROOM SERIES

FLANGE LUMINAIRE
FLUORESCENT /LED

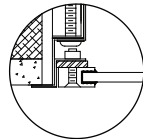


| |
|-----------|
| PROJECT: |
| TYPE: |
| PRODUCT: |
| APPROVED: |
| DATE: |

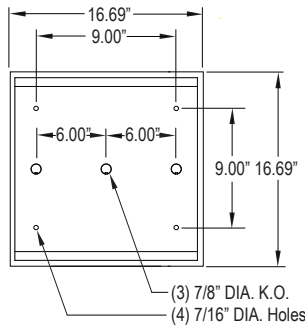
DIMENSIONAL DATA



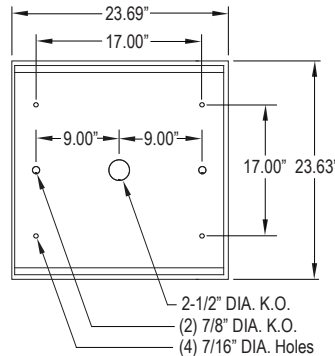
OVERLAPPING FRAME



ALUMINUM EXTRUDED
INSET FRAME



RECOMMENDED CEILING CUT-OUT:
15-1/2" x 15-1/2"



RECOMMENDED CEILING CUT-OUT:
23-7/8" x 23-7/8"

FEATURES

The New Star "StarClean MS16-MS24" Cleanroom fixture is designed for use in medical settings, labs, high-tech production facilities, food processing and areas where clean is critical.

- Flange housing utilizing enclosed design with seam welds to insure ingress protection.
- Swing arm mounting system for easy installation
- Optional plaster frame/yoke assembly available.
- Standard overlapping frame construction from a single sheet with beveled edges.
- Dimming Driver (0-10V) standard
- Dimming 1% available
- Inset frame fabrication from extruded aluminum with sealed, reinforced edges
- Specialized gasketing to provide contamination control
- Smooth surfaces for easy cleaning

APPLICATION

- Cleanroom
- Laboratory
- Hospital
- Food Processing Facilities
- Hi- Technology Manufacturing

SPECIFICATION FEATURES

HOUSING:

18 gauge formed cold rolled steel housing with continuous seam welds. Aluminum and stainless steel option available. Manufactured in accordance with NSF standards.

FRAME:

Inset extruded door available in anodized aluminum or white painted aluminum. Overlapping door frame available in aluminum, CRS and stainless steel. Frame fastened to housing via aircraft cable.

LENS:

Acrylic lens with optional RFI and symmetric/asymmetric pattern, smooth side out. Overlapping frame uses a rail hold down system.

ELECTRONICS:

Electronic Ballast <10% THD standard. RIF available. Lamps by others.

LED NIGHT LIGHT:

Integrated switch allows light selection at 100%, 70%, 40% and 10% levels

GASKET:

Closed cell pvc or extruded silicone gaskets prevent air contaminants from entering room.

FASTENERS:

Phillips flat head screws with captive cage nuts

FINISH:

White Antimicrobial powdercoat finish following iron phosphate pre-treatment.

INSTALLATION:

Easy installation with adjustable 90° swing arm system standard.

LABEL:



ORDERING INFORMATION

| Product Family | Housing Material | Frame | # of Lamps | Lamp Type | # Ballasts/Drivers |
|--|--|--|---|--|--|
| SCMF_ | | | | | |
| SCMF16 16-11/16" x 16-11/16" x 7-1/2" SCMF24 23"-11/16" x 23-11/16" x 11-1/4" | HC = 20Ga. CRS (Standard) HS = 20Ga. S.S. HP = 20Ga. S.S (Painted) HA = Alum. (Painted) | Overlap Frame Options: OC = 18Ga. CRS OA = Alum. (Standard) (Painted) OS = 18Ga. S.S (Brushed) OP = 18Ga. S.S. (Painted) | FLUORESCENT: SCMF16-SCMF24 1 = 1 Lamp 2 = 2 Lamp LED: SCMF16-SCMF24 L2 = LED 4 Boards (5000lms) L4 = LED 4 Boards (10000lms) | FLUORESCENT: SCMF16-SCMF24 42 = 42W Triple Gx24q-4 57 = 57W T4 4-Pin Gx24q-5 70 = 70W T4 4-Pin Gx24q-6 LED: 35 = White 3500° K 40 = White 4000° K 50 = White 5000° K | Fluorescent: LED: 1 = Ballast 1 = Driver 2 = Ballast 2 = Driver |

| Lens | Voltage | Options |
|---|---|--|
| A = .125 Prismatic Acrylic B = .125 Prismatic Polycarbonate C = .156 Prismatic Polycarbonate D = .187 Prismatic Polycarbonate E = .156 Prismatic Tempered Glass LC3 = .125 White Frosted Polycarbonate | 12 = 120V 27 = 277V 34 = 347V UN = Universal (120V-277V) | DM1 = Dimming driver 1% SD2 = Step Dim. Module(50-100%)▲ SD3 = Step Dim. Module(25-50-100%)▲ SD3A=Step Dim. Module(33-66-100%)▲ PR = Program Rapid Start FZ = Fuse * NL = Fluorescent Night Light * LN = LED Night Light. Consult factory for available color/temperatures. |
| | | TH = Torx Head screws(with center pin) E1 = Emerg. Bat.(450 Lumens)*▶ E2 = Emerg. Bat.(1100 Lumens)*▶ EL1= Emerg. Bat. LED Low EL2= Emerg. Bat. LED High RF = RIF (Radio Interference Filter) ♦* |

* Cannot use with universal voltage option
 — Must be overlap door

■ Consult factory for lamp-ballast options
 • Two lamps not available with Emergency Ballast

▲ Not available in 277V
 ▶ Not available in LED

Notes:
 Specifications and Dimensions are subject to change without notice. For additional options and dimensional details please consult your New Star Lighting Representative. For specific electronic ballast, specify brand and catalog number.

