

# NSO SERIES LED

NSOC/NSOV/NSOH/NSOO

## SPECIFICATION FEATURES

- HOUSING:** One-piece, die casted aluminum.
- LENS:** Polycarbonate injection molded lens with radial prisms to provide superior illumination. Optional ribbed clear prismatic or ribbed opal lens.
- LED:** Available in three color temperatures 3500°K, 4000°K and 5000°K. 19.2W on 4 LED modules.
- REFLECTOR:** Aluminum reflector to serve as heat sink and unitized with electrical components.
- FASTENERS:** Tamper resistant Torx head screws with center pin reject.
- FINISH:** Extremely durable oven baked polyester powder coat following a 5 stage iron phosphate pre-treatment in black, bronze or white.
- GASKET:** One piece die cut black EDPM foam rubber with adhesive backing to affix to housing. Extruded and spliced EDPM ribbed rubber gasket for lens.



### APPLICATION:

VR Architectural Settings, Public Areas, Corridors, Stairways, Underpasses, Parking Garages, Restrooms, Lobbies, Schools, and more.

### MOUNTING:

J-Box knock out and level bar for quick and easy installation.

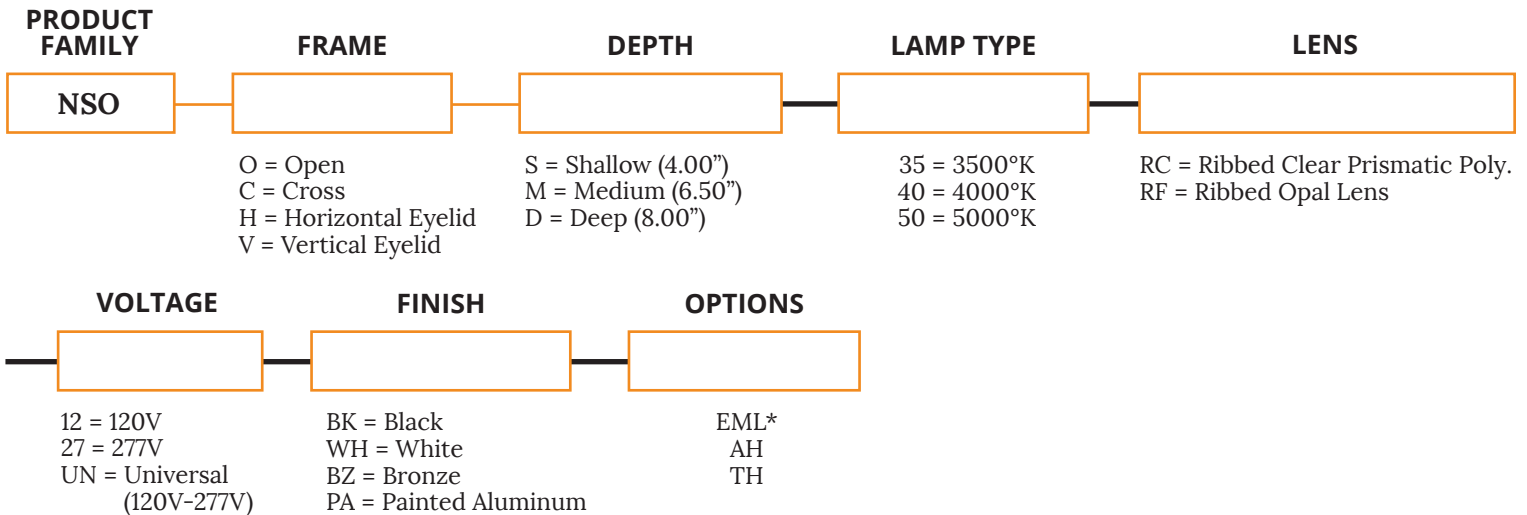
### LABEL:

Fixture is certified to UL standards by Intertek Testing Laboratories.



## ORDERING INFORMATION

Ex: NSOOS-40-RC-UN-BK



## KEY

- EML = Emergency Battery (remote)\*  
 AH = Allen Head Screws (with center pin)  
 TH = Torx Head Screws (with center pin)

\*Cannot use with UN voltage



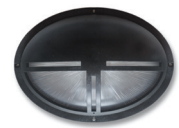
NSO CROSS (NSOC)



NSO VERTICAL EYE LID (NSOV)



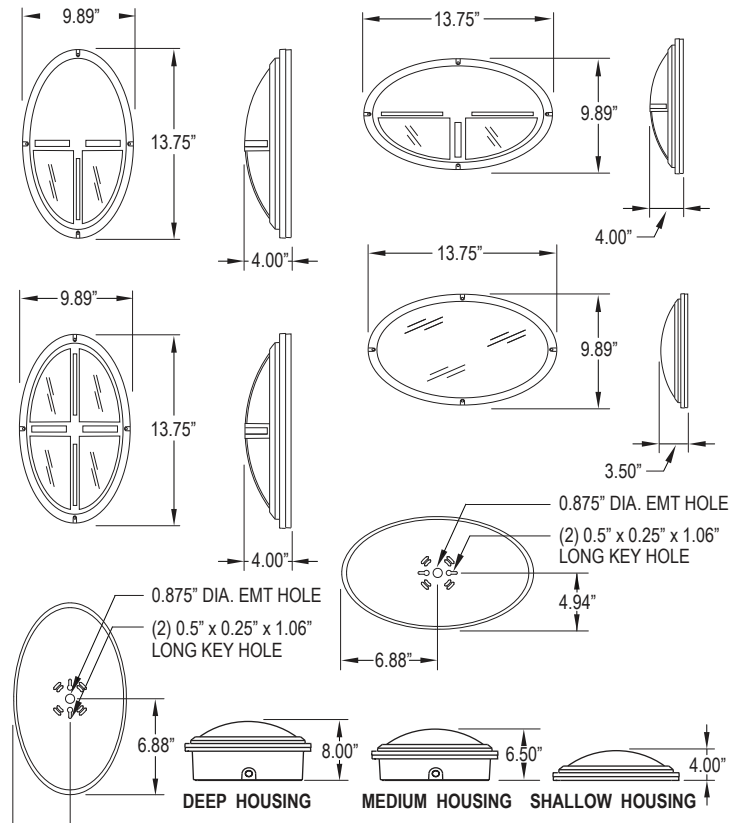
NSO OPEN (NSOO)



NSO HORIZONTAL EYELID (NSOH)

Notes:  
 Specifications and Dimensions are subject to change without notice. If lamp type is not specified at time of quote or order, fixture will be set with 3500°K.  
 For additional options and dimensional details please consult your New Star Lighting Representative.

**DIMENSIONAL DATA**



Notes:  
Specifications and Dimensions are subject to change without notice.  
For additional options and dimensional details please consult your New Star Lighting Representative.

# NSO SERIES FLUORESCENT

NSOC/NSOV/NSOH/NSOO

## SPECIFICATION FEATURES

- HOUSING:** One-piece, die casted aluminum.
- LENS:** Polycarbonate injection molded lens with radial prisms to provide superior illumination. Optional ribbed clear prismatic or ribbed opal lens.
- LED:** Available in three color temperatures 3500°K, 4000°K and 5000°K. 19.2W on 4 LED modules.
- REFLECTOR:** Aluminum reflector to serve as heat sink and unitized with electrical components.
- FASTENERS:** Tamper resistant Torx head screws with center pin reject.
- FINISH:** Extremely durable oven baked polyester powder coat following a 5 stage iron phosphate pre-treatment in black, bronze or white.
- GASKET:** One piece die cut black EDPM foam rubber with adhesive backing to affix to housing. Extruded and spliced EDPM ribbed rubber gasket for lens.



### APPLICATION:

VR Architectural Settings, Public Areas, Corridors, Stairways, Underpasses, Parking Garages, Restrooms, Lobbies, Schools, and more.

### MOUNTING:

J-Box knock out and level bar for quick and easy installation.

### LABEL:

Fixture is certified to UL standards by Intertek Testing Laboratories.



## ORDERING INFORMATION

Ex: NSOCS-2/18-RF-UN-BK

PRODUCT FAMILY	FRAME	DEPTH	# OF LAMPS	LAMP TYPE	
NSO					
	O = Open C = Cross H = Horizontal Eyelid V = Vertical Eyelid	S = Shallow (4.00") M = Medium (6.50") D = Deep (8.00")	1 = 1 Lamp 2 = 2 Lamps	Selected 1 Lamp:	Selected 2 Lamps:
				13 = 13W Triple Gx24q-1 13Q = 13W Quad G24q-1 18 = 18W Triple Gx24q-2 18Q = 18W Quad G24q-2 26 = 26W Triple Gx24q-3 26Q = 26W Quad G24q-3 32 = 32W Triple Gx24q-3 42 = 42W Triple Gx24q-4**	13 = 13W Triple Gx24q-1 13Q = 13W Quad G24q-1 18 = 18W Triple Gx24q-2 18Q = 18W Quad G24q-2 26 = 26W Triple Gx24q-3*** 26Q = 26W Quad G24q-3*** 32 = 32W Triple Gx24q-3*** 42 = 42W Triple Gx24q-4***
LENS	VOLTAGE	FINISH	OPTIONS		
RC = Ribbed Clear Prismatic Poly. RF = Ribbed Opal Lens	12 = 120V 27 = 277V 34 = 347V UN = Universal (120V-277V)	BK = Black WH = White BZ = Bronze PA = Painted Aluminum	EM* AH TH HO		

## KEY

- EM = Emergency Ballast (remote)\*  
AH = Allen Head Screws (with center pin)  
TH = Torx Head Screws (with center pin)

- \*Cannot use with UN voltage  
\*\* Not available with Shallow depth  
\*\*\* Not available with Shallow or Medium depth



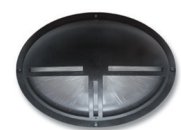
**NSO CROSS (NSOC)**



**NSO VERTICAL EYE LID (NSOV)**



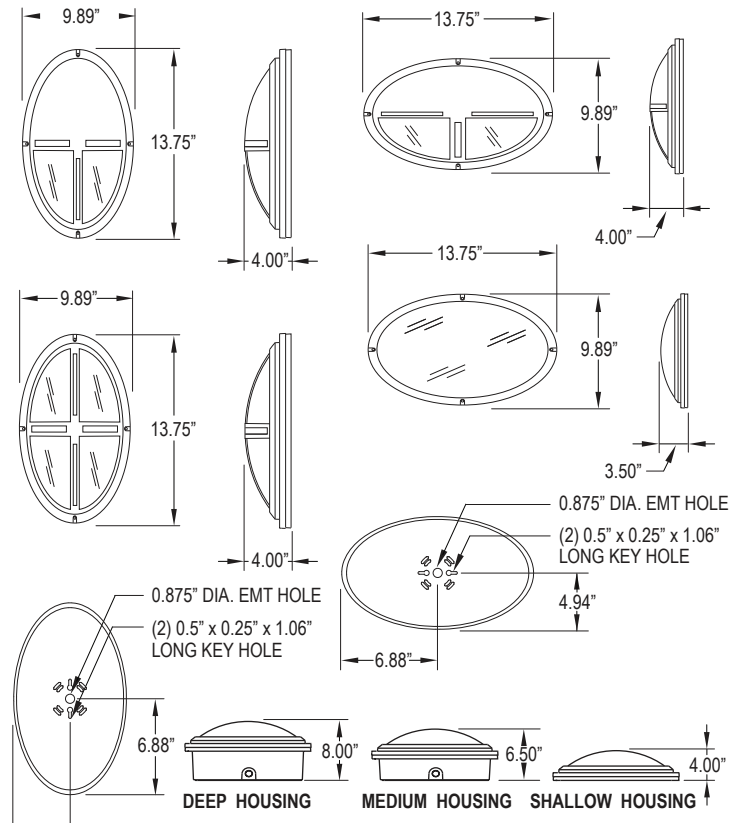
**NSO OPEN (NSOO)**



**NSO HORIZONTAL EYELID (NSOH)**

Notes:  
Specifications and Dimensions are subject to change without notice.  
For additional options and dimensional details please consult your New Star Lighting Representative.

## DIMENSIONAL DATA



Notes:  
 Specifications and Dimensions are subject to change without notice.  
 For additional options and dimensional details please consult your New Star Lighting Representative.