



NSO CROSS
(NSOCS)



NSO VERTICAL
EYE LID
(NSOV)

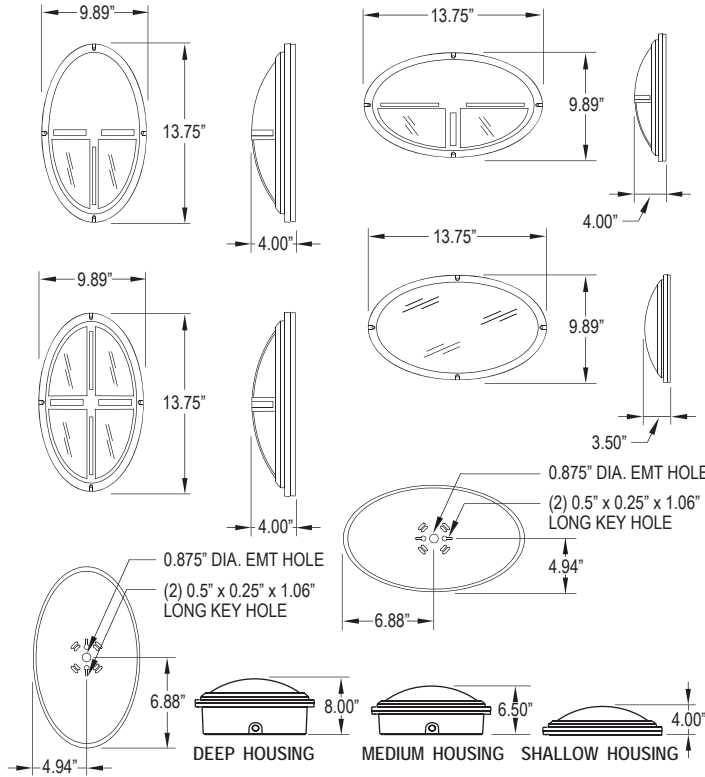


NSO HORIZONTAL EYELID (NSOHS)



NSO OPEN (NSOOS)

DIMENSIONAL DATA



PROJECT:
TYPE:
PRODUCT:
APPROVED:
DATE:

FEATURES

The New Star " NSO Open-Cross-NSO Open Cross-NSO Horizontal Eyelid-NSO Vertical Eyelid " are quality driven luminaires that excels at providing vandal resistance performance with uncomplicated styles

- Design oriented cast aluminum luminaire for vandal resistance
- Available in 3 depths for various lamping options
- Injection molded UV stabilized polycarbonate lens with integral gasket
- J-Box knock out and level bar for quick and easy installation

APPLICATION

- Public Areas
- Corridors
- Walls
- Stairways
- Schools
- Underpasses

SPECIFICATION FEATURES

HOUSING:

Die cast, one piece casted aluminum alloy.

LENS:

.125" thick, injection molded lens w/ radial prisms, to provide superior illumination. Lenses are molded from UV stabilized polycarbonate.

ELECTRONICS:

Fluorescent:
Electronic Ballast <10% THD standard.

LED:

19.2W on 4 LED modules. Available in three color temperatures (3500° K, 4000° K, & 5000° K).

REFLECTOR:

Aluminum reflector to serve as heat sink and unitized with electrical components.

GASKET:

One piece die cut .188" thick black EPDM foam rubber with adhesive backing to affix to housing. Extruded and spliced EPDM ribbed rubber gasket for lens.

FASTENERS:

Tamper resistant Torx head screws with center pin reject.

FINISH:

Extremely durable oven baked polyester powdercoat following a 5 stage iron phosphate pre-treatment in Black, Bronze, or White color.

LABEL:



ORDERING INFORMATION

Product Family	Depth	Lamp Type	Lens	Voltage	Finish	Options
NSO_						
NSOO 9-7/8" x 13-3/4" x _ NSOC 9-7/8" x 13-3/4" x _ NSOH 9-7/8" x 13-3/4" x _ NSOV 9-7/8" x 13-3/4" x _	S = Shallow 4" M = Medium 6.5" D = Deep 8"	LED: L35 = 3500°K • L40 = 4000°K • L50 = 5000°K • Fluorescent: See options below	RC = Ribbed Clear Prismatic Polycarbonate RF = Ribbed Opal Lens	12 = 120V 27 = 277V UN = Universal (120V-277V) 34 = 347V	BK = Black WH = White BZ = Bronze PA = Painted Aluminum	EM = Ballast: Emergency * • ♦ ♦ (300-750 Lumens) for CFL- remote for shallow housing EML= Emergency Battery * • LED (must be remote) AH = Allen Head Screws (with center pin) TH = Torx Head Screws (with center pin)

SHALLOW HOUSING # of Lamps/Lamp Type		MEDIUM HOUSING # of Lamps/Lamp Type		DEEP HOUSING # of Lamps/Lamp Type	
1 = 1 Lamp	2 = 2 Lamp	1 = 1 Lamp	2 = 2 Lamp	1 = 1 Lamp	2 = 2 Lamp
13 = 13W Triple Gx24q-1 13Q = 13W Quad G24q-1 18 = 18W Triple Gx24q-2 18Q = 18W Quad G24q-2 26 = 26W Triple Gx24q-3 26Q = 26W Quad G24q-3 32 = 32W Triple Gx24q-3	13 = 13W Triple Gx24q-1 13Q = 13W Quad G24q-1 18 = 18W Triple Gx24q-2 18Q = 18W Quad G24q-2	13 = 13W Triple Gx24q-1 13Q = 13W Quad G24q-1 18 = 18W Triple Gx24q-2 18Q = 18W Quad G24q-2 26 = 26W Triple Gx24q-3 26Q = 26W Quad G24q-3 32 = 32W Triple Gx24q-3 42 = 42W Triple Gx24q-4	13 = 13W Triple Gx24q-1 13Q = 13W Quad G24q-1 18 = 18W Triple Gx24q-2 18Q = 18W Quad G24q-2	13 = 13W Triple Gx24q-1 13Q = 13W Quad G24q-1 18 = 18W Triple Gx24q-2 18Q = 18W Quad G24q-2 26 = 26W Triple Gx24q-3 26Q = 26W Quad G24q-3 32 = 32W Triple Gx24q-3 42 = 42W Triple Gx24q-4	13 = 13W Triple Gx24q-1 13Q = 13W Quad G24q-1 18 = 18W Triple Gx24q-2 18Q = 18W Quad G24q-2 26 = 26W Triple Gx24q-3 26Q = 26W Quad G24q-3 32 = 32W Triple Gx24q-3 42 = 42W Triple Gx24q-4

* Cannot use with UN voltage option
« Not available with 2 42w Triple Gx24q-2

♦ Remote mount for shallow housing
• Not available in 347V

Notes:
Specifications and Dimensions are subject to change without notice. For additional options and dimensional details please consult your New Star Lighting Representative. For specific electronic ballast, specify brand and catalog number.

