

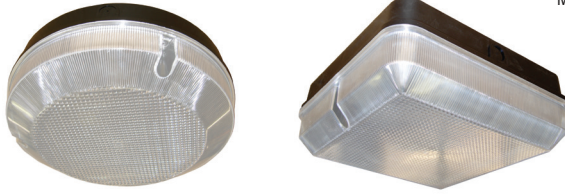
NSP-R/S

HIGH ABUSE SERIES

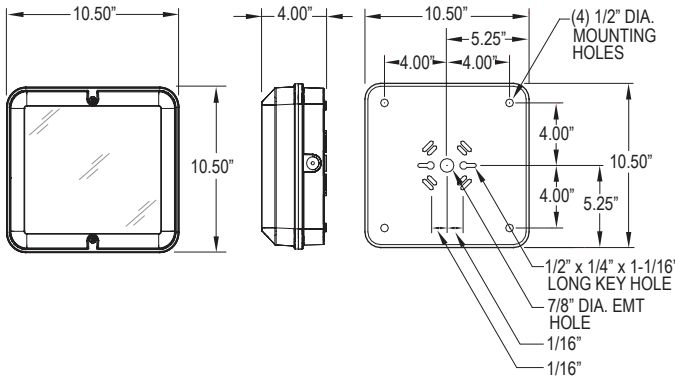
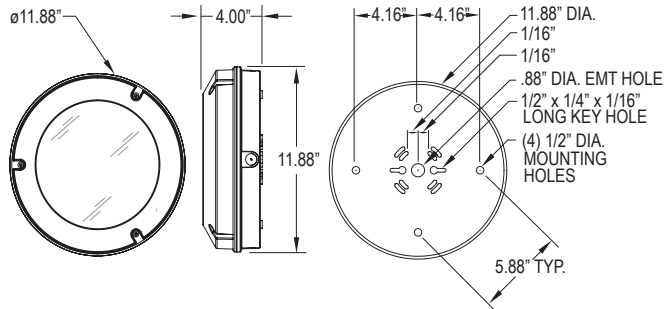
SURFACE LUMINAIRE
FLUORESCENT / LED



Made in America



DIMENSIONAL DATA



PROJECT: _____

TYPE: _____

PRODUCT NUMBER: _____

APPROVED BY: _____

DATE: _____

FEATURES

The NSP R/S is a quality driven fixture that excels at providing strength with uncomplicated style. The rounded edges in our circle design motif provide a pleasing shape while maintaining strength.

- The edges provide extra strength by dissipating the kinetic energy from a physical impact throughout the fixture
- The housing and lens are injection molded from a UV stabilized Polycarbonate.
- The lens features an integral gasket
- All lens attachment points are sealed with grommets to provide a tight seal.
- This fixture utilizes a J-Box knockout and level bar for a quick and easy install saving labor cost and time.

APPLICATION

- Public Areas
- Corridors
- Walls
- Stairways
- Schools
- Underpasses

SPECIFICATION FEATURES

HOUSING:

Injection molded UV stabilized to a specification grade thickness. Conduit drill points allow for use with industry standard conduit and hubs for non junction box installations

LENS:

125" thick. Injection molded lens with radial prisms, to provide superior illumination. Lenses are molded from UV stabilized polycarbonate. (Clear ribbed, frost ribbed, or white available.)

ELECTRONICS:

Fluorescent:
Electronic Ballast <10% THD standard.

LED:
20W on 4 LED modules. Available in three color temperatures (3500° K, 4000° K & 5000° K).

REFLECTOR:

White CRS for high reflectivity.

GASKET:

Extruded and spliced EPDM ribbed rubber gasket for lens.

FASTENERS:

Tamper resistant Torx head screws with center pin reject.

FINISH:

Available in black or white

LABEL



ORDERING INFORMATION

Product Family	# of Lamps	Lamp Type	Lens	Voltage	Color	Options
NSP_	-	-	-	-	-	-
NSP-S 10-1/2" x 10-1/2" x 4"	1 = 1 Lamp 2 = 2 Lamp	7TW = 7W Twin G-23 9TW = 9W Twin G-23 13TW = 13W Twin Gx23 13 = 13W Triple Gx24q-1 13Q = 13W Quad G24q-1 LED: L35 = 3500°K • L40 = 4000°K • L50 = 5000°K •	FP = Frosted Polycarbonate Diffuser PP = Prismatic Polycarbonate Diffuser WP = White Polycarbonate Diffuser	12 = 120V 27 = 277V UN = Universal (120V-277V)	BK = Black WH = White	EM = Emergency Battery * (350-700 Lumens) for CFL FZ = Single Fusing * CW = Cold Weather Ballast
NSP-R 11-7/8" x 4"	Leave Blank for LED					

* Cannot use with universal voltage option

Notes:

Specifications and Dimensions are subject to change without notice. For additional options and dimensional details please consult your New Star Lighting Representative. For specific electronic ballast, specify brand and catalog number. The New Star Promise will repair or replace any High Abuse fixture when installed according to New Star's instructions for the life of the original installation if the fixture should fail due to physical abuse.

