

TRIO LED NWTRI

SPECIFICATION FEATURES

- HOUSING:** One-piece marine grade die-cast aluminum.
- LENS:** UV stabilized white opal polycarbonate.
- LED:** Available in three color temperatures 3500°K, 4000°K and 5000°K. 9.6W on 2 LED modules.
- REFLECTOR:** Aluminum reflector to serve as heat sink and unitized with electrical components.
- FASTENERS:** Allen head screws (without center pin) standard.
- FINISH:** Extremely durable oven baked polyester powder coat following a 5 stage iron phosphate pre-treatment in black or white.
- GASKET:** Injection molded, continuous piece silicone rubber gasket to prevent infiltration.



APPLICATION:

VR Architectural Settings, Public Areas, Corridors, Stairways, Underpasses, Parking Garages, Restrooms, Lobbies, Schools, and more.

MOUNTING:

Surface wall installation.

LABEL:

Fixture is certified to UL standards by Intertek Testing Laboratories.



ORDERING INFORMATION

Ex: NWTRI-40-UN-BK

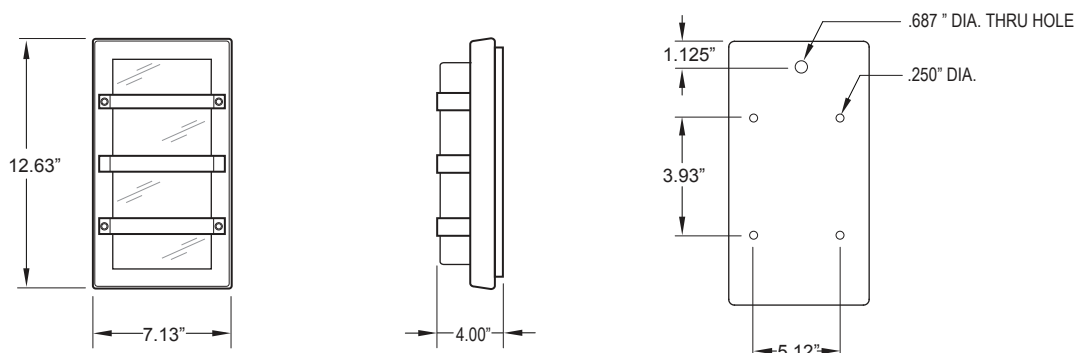
| PRODUCT FAMILY | LAMP TYPE | VOLTAGE | FINISH | OPTIONS |
|----------------|---|--|--|------------|
| NWTRI | 35 = 3500°K 40 = 4000°K 50 = 5000°K | 12 = 120V 27 = 277V UN = Universal (120V-277V) | BK = Black WH = White BZ = Bronze PA = Painted Aluminum | EML* TH |

KEY

EML = Emergency Battery (remote)*
TH = Torx Head Screws (with center pin)

*Cannot use with UN voltage

DIMENSIONAL DATA



Notes:
Specifications and Dimensions are subject to change without notice. If lamp type is not specified at time of quote or order, fixture will be set with 3500°K. For additional options and dimensional details please consult your New Star Lighting Representative.

TRIO LED NWTRI

SPECIFICATION FEATURES

- HOUSING:** One-piece marine grade die-cast aluminum.
- LENS:** UV stabilized white opal polycarbonate.
- ELECTRONICS:** Electronic ballast <10% THD standard.
- REFLECTOR:** Aluminum reflector to serve as heat sink and unitized with electrical components.
- FASTENERS:** Allen head screws (without center pin) standard.
- FINISH:** Extremely durable oven baked polyester powder coat following a 5 stage iron phosphate pre-treatment in black or white.
- GASKET:** Injection molded, continuous piece silicone rubber gasket to prevent infiltration.



APPLICATION:

VR Architectural Settings, Public Areas, Corridors, Stairways, Underpasses, Parking Garages, Restrooms, Lobbies, Schools, and more.

MOUNTING:

Surface wall installation.

LABEL:

Fixture is certified to UL standards by Intertek Testing Laboratories.



ORDERING INFORMATION

Ex: NWTRI-1-9TW-UN-BK

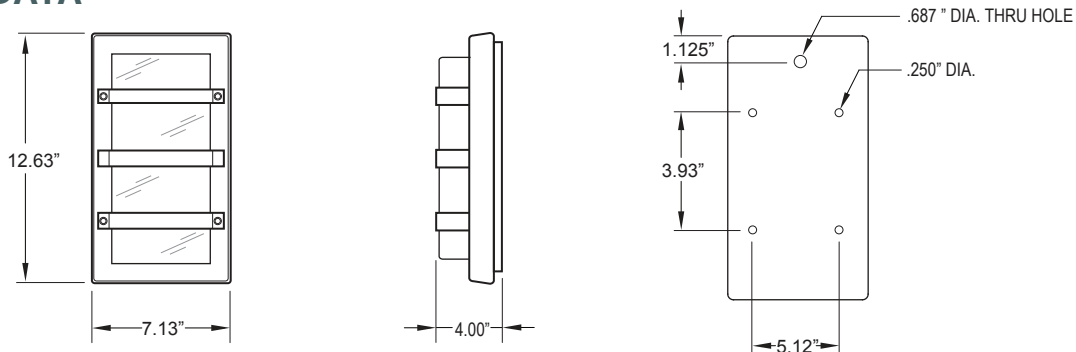
| PRODUCT FAMILY | # OF LAMPS | LAMP TYPE | VOLTAGE | FINISH | OPTIONS | |
|----------------|---------------------------|---|--|--|--|-----------|
| NWTRI | 1 = 1 Lamp 2 = 2 Lamps | Selected 1 Lamp: 7TW = 7W Twin G-23 9TW = 9W Twin G-23 13TW = 13W Twin Gx23 13E = 13W Twin 2Gx7 13 = 13W Triple Gx24q-1 13Q = 13W Quad G24q-1 18 = 18W Triple Gx24q-2 18Q = 18W Quad G24q-2 26 = 26W Triple Gx24q-3 26Q = 26W Quad G24q-3 32 = 32W Triple Gx24q-3 42 = 42W Triple Gx24q-4 | Selected 2 Lamps: 7TW = 7W Twin G-23 9TW = 9W Twin G-23 13TW = 13W Twin Gx23 13E = 13W Twin 2Gx7 13 = 13W Triple Gx24q-1 13Q = 13W Quad G24q-1 18 = 18W Triple Gx24q-2 18Q = 18W Quad G24q-2 26 = 26W Triple Gx24q-3 26Q = 26W Quad G24q-3 | 12 = 120V 27 = 277V UN = Universal (120V-277V) | BK = Black WH = White BZ = Bronze PA = Painted Aluminum | EM* TH |

KEY

EM = Emergency Ballast (remote)*
TH = Torx Head Screws (with center pin)

*Cannot use with UN voltage

DIMENSIONAL DATA



Notes:
Specifications and Dimensions are subject to change without notice.
For additional options and dimensional details please consult your New Star Lighting Representative.