

RUD1-RUD2-RUD4

CONFINEMENT SERIES

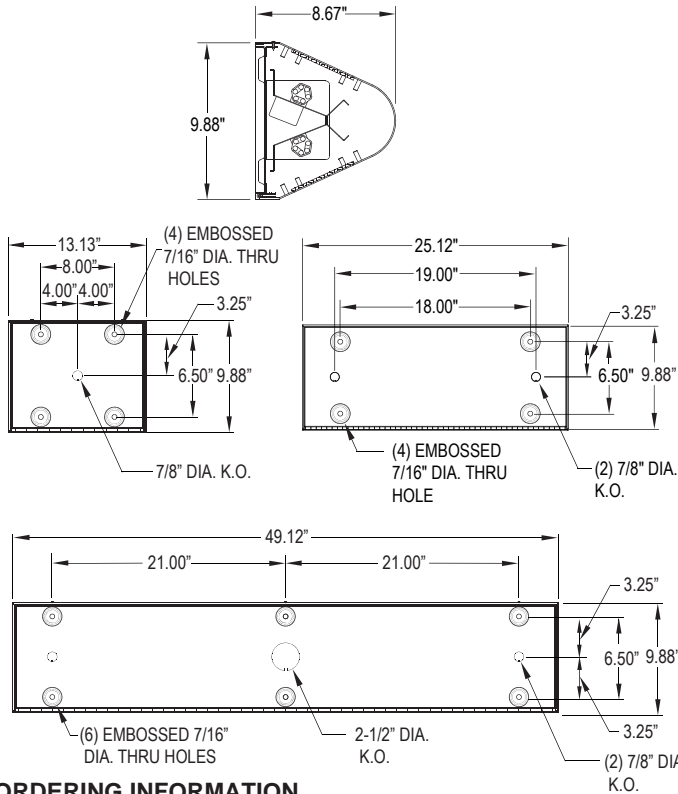
WALL LUMINAIRE

CLAMSHELL DESIGN FOR MIN. TO SUPERMAX SECURITY
FLUORESCENT/LED



PROJECT:
TYPE:
PRODUCT:
APPROVED:
DATE:

DIMENSIONAL DATA



FEATURES

The New Star "RUD1-RUD2-RUD4" Confinement clamshell fixture is designed for security application requiring up and down light distributions

- 18-12 gauge die formed steel or stainless steel nonclam shell housing with full length continuous staked piano hinge with welded end
- Rounded housing shape designed to withstand physical abuse
- 16 gauge full length continuous staked piano hinge with welded ends
- Lens held in place with Z-Channel and weld studs
- Torx head center pin screws standard
- Black Neoprene gasket around door frame to prevent light leaks
- Wet location optional

APPLICATION

- Confinement • Detention Centers • Transportation Applications • Locker Rooms
- Psychiatric Wards • Public Housing Complexes • Athletic Facilities

SPECIFICATION FEATURES

HOUSING:

Die formed, seam welded, and ground smooth (specify material and gauge). Incorporates a removable reflector unitized with all electrical components for easy installation and maintenance.

BACKPLATE:

Die formed with contraband drop slot and embossed mounting holes(materials and gauge to match housing). Security caulking between ceiling and fixture is not required with this back plate design.

HINGE:

16 gauge full length continuous, staked piano hinge, with welded ends. to prevent removal (material to match housing).

LENS / LENS RETENTION:

Lens per specification (see options) and secured by "Z" retainers with weld studs spaced six inches apart for maximum strength.

ELECTRONICS: Fluorescent:

Electronic Ballast <10% THD standard. RIF available. Lamps by others.

LED:

Available in three standard color temperatures 3500°K,4000°K & 5000°K. Other color temperatures available, consult factory.

LED NIGHT LIGHT:

Integrated switch allows light selection at 100%,70%,40% and 10% levels

GASKET:

Black Neoprene gasket around door frame to prevent light leaks

FASTENERS:

Tamper resistant countersunk, flat head Torx screws, with center pin reject

FINISH:

White powercoat finish following an iron phosphate pre-treatment.

LABEL:



ORDERING INFORMATION

Product Family	Gauge	# of Lamps	Lamp Type	# Ballasts/Drivers
RUD_				
RUD1 9-7/8" x 13-3/16" x 8-11/16"	B = 14 Ga. CRS G = 18 Ga. SS C = 16 Ga. CRS (Brushed)	Fluorescent RUD1: A = 1 Up / 1 Dn(25W) E = 0 Up / 1 Dn(12.5W) F = 1 Up / 0 Dn(12.5W) RUD2-RUD4 A = 1 Up / 1 Down B = 1 Up / 2 Down C = 2 Up / 2 Down D = 2 Up / 1 Down E = 0 Up / 1 Down F = 1 Up / 0 Down LED RUD1: LA = 1 Up / 1 Dn(25W) LE = 0 Up / 1 Dn(12.5W) LF = 1 Up / 0 Dn(12.5W)	Fluorescent RUD1: 18 = 18W Triple Gx24q-2 8Q = 18W Quad G24q-2 26 = 26W Triple Gx24q-3 6Q = 26W Quad G24q-3 32 = 32W Triple Gx24q-3 42 = 42W Triple Gx24q-4 Fluorescent RUD2: 17 = Linear 17W T8 14 = Linear 14W T5 24 = Linear 24W T5 HO 40 = 40 Twin 2Gx11	Fluorescent: 1 = Ballast 2 = Ballast
RUD2 9-7/8" x 25-3/16" x 8-11/16"	E = 14 Ga. SS (Painted) (Brushed) J = 16 Ga. SS (Painted)	LED RUD2: LA = 1 Up / 1 Dn(25W) LB = 1 Up / 2 Dn(37.5W) LC = 2 Up / 2 Dn(50W) LD = 2 Up / 1 Dn(37.5) LE = 0 Up / 1 Dn(12.5) LF = 1 Up / 0 Dn(12.5) LED RUD4: LA = 1 Up / 1 Dn(50W) LB = 1 Up / 2 Dn(75W) LC = 2 Up / 2 Dn(100W) LD = 2 Up / 1 Dn(75W) LE = 0 Up / 1 Dn(25W) LF = 1 Up / 0 Dn(25W)	Fluorescent RUD4: 32 = Linear 32W T8 28 = Linear 28W T5 54 = Linear 54W T5 HO LED: 35 = White 3500°K 40 = White 4000°K 50 = White 5000°K	LED: 1 = Driver 2 = Driver
RUD4 9-7/8" x 49-3/16" x 8-11/16"	F = 16 Ga. SS (Painted) (Brushed) K = 18 Ga. SS (Painted)			
Outer Lens	Inner Lens	Voltage	Options	
Ø = No Lens 4 = .500 Clear Poly. A = .125 Clear Poly. 5 = .187 Clear Temp. Glass B = .156 Clear Poly. 6 = .250 Clear Temp. Glass 1 = .187 Clear Poly. 7 = .375 Clear Temp. Glass ^ 2 = .250 Clear Poly. 8 = .500 Clear Temp. Glass ^ 3 = .375 Clear Poly. 9 = .750 Clear Temp. Glass ^	Ø = No Lens F = .156 Pris. Acrylic A = .125 Pris. Acrylic G = .140 DR Acrylic B = .125 Pris. Poly. LC3 = .125 White Frosted C = .156 Pris. Poly. Polycarbonate D = .187 Pris. Poly. E = .156 Pris. Temp. Glass	12 = 120V 27 = 277V 34 = 347V ■ UN = Universal (120V-277V)	DB = Ballast: Dimming (0-10V) * E1 = Emergency Ballast (450 Lumens) * ◀◀ E2 = Emergency Ballast (1350 Lumens) * ◀◀ EL1= Emerg. Bat. LED Low EL2= Emerg. Bat. LED High PR = Programmable Ballast - Rapid Start AH = Allenhead Screws NL = Fluorescent Night Light * LN = LED Night Light. Consult factory for available color / temperatures.	
^ Must Use 12 or 14 Gauge Frame * Cannot use with universal voltage option ■ Consult factory for lamp-ballast options		Consult factory for T5 availability + Cannot use with option E or F # of lamps configuration ♦ Not available in LED FZ = Fuse Holder * WL = Wet Location UV = .005 UV Absorbing Overlay SL = Flush Button Switch (Left) SR = Flush Button Switch (Right)		

Notes:

Specifications and Dimensions are subject to change without notice. For additional options and dimensional details please consult your New Star Lighting Representative. For specific electronic ballast, specify brand and catalog number.

