

# STARMed MHS 2-4

## HEALTHCARE SERIES

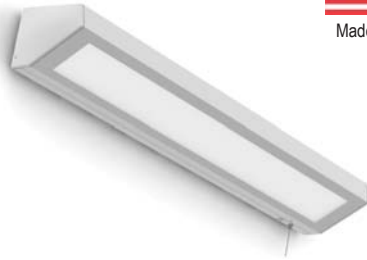
PATIENT ROOM HEAD WALL LUMINAIRE

WALL MOUNT

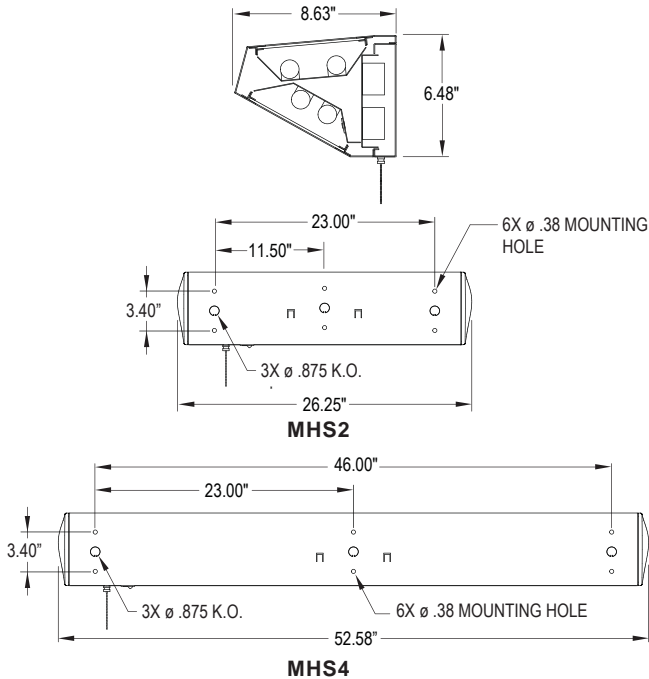
FLUORESCENT/LED



Made in America



### DIMENSION DATA



PROJECT:
TYPE:
PRODUCT:
APPROVED:
DATE:

### FEATURES

The New Star "Star Med MHS4" Healthcare fixture is designed for use in patient room, surgical suites, and medical settings

- Task, Ambient and Reading light in one fixture
- Low profile design
- Durable seam welded aluminum construction
- Decorative rounded end caps
- Easy to clean & maintain
- Removable electrical chassis for easy installation & maintenance
- Dimming Driver (0-10V) standard
- Dimming 1% available
- Available with several switching options
- LED night light available

### APPLICATION

- Hospital
- Patient Rooms
- Dental Procedure Rooms

### SPECIFICATION

#### HOUSING:

16 gauge formed Aluminium seamed welded & ground smooth

#### LENS:

.125 thk. Prismatic Acrylic

#### ELECTRONICS:

Fluorescent:  
Electronic Ballast <10% THD standard. RIF available. Lamps by others.

#### LED:

Available in three standard color temperatures 3500°K, 4000°K & 5000°K. Other color temperatures available, consult factory.

#### LED NIGHT LIGHT:

Integrated switch allows light selection at 100%, 70%, 40% and 10% levels

#### GASKET:

Lens gasketed with closed cell neoprene

#### FASTENERS:

Phillips flat head screws with captive cage

#### FINISH:

White Antimicrobial powdercoat finish following an iron phosphate pre-treatment

#### LABEL:



### ORDERING INFORMATION

Product Family	Housing	# of Lamps	Lamp Type	# Ballasts/Drivers
<b>MHS4</b>	<b>HA</b>			
<b>MHS2</b> 8-5/8" x 26-1/4" x 6-1/2" <b>MHS4</b> 8-5/8" x 52-5/8" x 6-1/2"	HA = Housing 16G Aluminium	<b>Fluorescent:</b> A = 1 Up / 1 Down B = 1 Up / 2 Down C = 2 Up / 2 Down D = 2 Up / 1 Down <b>LED MHS2:</b> LA = 1Up/1Dn(25.0W) LB = 1Up/2Dn(37.5W) LC = 2Up/2Dn(50.0W) LD = 2Up/1Dn(37.5W) <b>LED MHS4:</b> LA = 1Up/1Dn(50W) LB = 1Up/2Dn(75W) LC = 2Up/2Dn(100W) LD = 2Up/1Dn(75W) LF = 3Up/3Dn(150W) LG = 1Up/3Dn(100W) LH = 3Up/2Dn(125W)	<b>Fluorescent:</b> 32 = Linear 32W T8 28 = Linear 28W T5 54 = Linear 54W T5 <b>LED:</b> 35 = White 3500° K 40 = White 4000° K 50 = White 5000° K	<b>Fluorescent:</b> 1 = Ballast 2 = Ballast <b>LED:</b> 1 = Driver 2 = Driver
Lens	Voltage	Options		
A = .125 Prismatic Acrylic LC3 = .125 White Frosted Polycarbonate	12 = 120V 27 = 277V 34 = 347V UN = Universal (120V-277V)	<b>DM1</b> = Dimming driver 1% <b>SD2</b> = Step Dim. Module(50-100%) <b>SD3</b> = Step Dim. Module(25-50-100%) <b>SD3A</b> =Step Dim. Module(33-66-100%) <b>FZ</b> = Fuse * <b>DB</b> = Dimming Ballast (0-10V) *Δ <b>E1</b> = Emergency Battery Pack *Δ◆ <b>TH</b> = Torx Head screws (w/center pin) Stainless Steel <b>RF</b> = Radio Interference Filter Δ (one per circuit or ballast) <b>LV</b> = Low Voltage Controller Δ, # *(consult factory) for wiring option <b>PW</b> = Pull Chain Switch 4-position (120V Only) # <b>SPB</b> = 6ft. SaniPull Vinyl Ribbon for Pull Switch (Blue) <b>SPR</b> = 6ft. SaniPull Vinyl Ribbon for Pull Switch (Red) <b>LNR</b> = LED Night Light w/ Rocker Switch (120V only) <b>LN</b> = LED Night Light. Consult Δ factory for available color / temperatures. <b>RS</b> = Rocker Switch		
		# PW and LV Cannot be used together ■ Consult factory for lamp-ballast options ◆ Not available in LED		



Notes:  
Specifications and Dimensions are subject to change without notice. For additional options and dimensional details please consult your New Star Lighting Representative. For specific electronic ballast, specify brand and catalog number.

# LED BOARDS	# ROWS	WATTAGE	EFFICACY (lm/W)	DELIVERED LUMENS
<b>MHS2:</b>				
LA	1UP/1DN	(25W)	110	2,750 LMS
LB	1UP/2DN	(37.5W)	110	4,125 LMS
LC	2UP/2DN	(50.0W)	110	5,500 LMS
LD	2UP/1DN	(37.5W)	110	4,125 LMS
<b>MHS4:</b>				
LA	1UP/1DN	(50W)	110	5,500 LMS
LB	1UP/2DN	(75W)	110	8,250 LMS
LC	2UP/2DN	(100.0W)	110	11,000 LMS
LD	2UP/1DN	(75.0W)	110	8,250 LMS
LE	0UP/2DN	(50W)	110	5,500 LMS
LF	3UP/3DN	(150.0W)	110	16,500 LMS
LG	1UP/3DN	(100.0W)	110	11,000 LMS
LH	3UP/2DN	(125.0W)	110	13,750 LMS
LI	3UP/1DN	(100.0W)	110	11,000 LMS
LJ	0UP/1DN	(25.0W)	110	2,750 LMS
LK	0UP/2DN	(50.0W)	110	5,500 LMS
LL	3UP/0DN	(75.0W)	110	8,250 LMS
* TAKE AN ADDITIONAL 20% OFF DELIVERED LUMENS WHEN SPECIFYING THE LC3 LENS				