

STARMED M2F24

HEALTHCARE SERIES

PATIENT ROOM 2 COMPARTMENT LUMINAIRE

RECESSED FLANGE
FLUORESCENT/LED



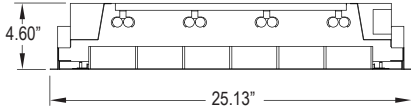
Made in America



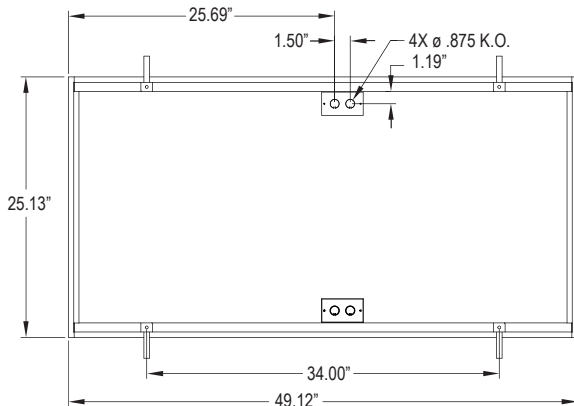
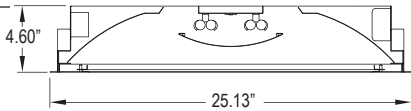
PROJECT:
TYPE:
PRODUCT:
APPROVED:
DATE:

DIMENSION DATA

EXAM



AMBIENT



RECOMMENDED CEILING CUT-OUT : 48-3/8" x 24-3/8"

FEATURES

The New Star "Star Med M2F24" Healthcare fixture is designed for use in patient room, surgical suites, and medical settings

- Ambient and exam in one fixture
- Perfect for hospital patient room applications
- Lensed and louvered exam design provides safety against lamp breakage entering the patient room
- Ambient indirect section has an optional lens for superior protection against particulate from ceiling plenum
- Excellent choice for wipe down areas
- Easy maintenance finish
- Low glare ambient compartment
- Flange mounting

APPLICATION

- Hospital Patient Rooms
- Hospital Exam Rooms
- Doctors Exam Rooms

SPECIFICATIONS

HOUSING:

20 gauge formed cold rolled steel housing seamed welded & ground smooth (standard) Stainless steel option available

FRAME:

Inset 18 gauge formed cold rolled steel door frame (standard) Stainless steel option available

LENS:

See ordering matrix for lens options

ELECTRONICS:

Fluorescent:
Electronic Ballast <10% THD standard. RIF available. Lamps by others.

LED:Constant current

Available in three standard color temperatures 3500°K, 4000°K & 5000°K. Other color temperatures available, consult factory.

LED NIGHT LIGHT:

Integrated switch allows light selection at 100%, 70%, 40% and 10% levels

GASKET:

Closed Cell Neoprene

FASTENERS:

Phillips flat head screws with captive cage nuts

FINISH:

White Antimicrobial powdercoat finish following an iron phosphate pre-treatment

LABEL:



ORDERING INFORMATION

Product Family	Housing	Frame	Exam # of Lamps	Ambient # of Lamps	Lamp Type	Exam # Driver Ballast
M2F24						
M2F24 FLANGE 25-1/8" x 49-1/8" x 4-5/8"	HC = Housing 20G CRS (Standard) HS = Housing 20G Stainless Steel HP = Housing 20G Stainless Steel Painted	Inset Frame Options: IC = Frame 18G CRS (Standard) IS = Frame 18G Stainless Steel IP = Frame 18G Stainless Steel Painted	Fluorescent: 3 = 3 Lamp 4 = 4 Lamp LED: L6 = LED 6 Rw (75W) L7 = LED 7 Rw (87.5W) L8 = LED 8 Rw (100W)	Fluorescent: 1 = 1 Lamp 2 = 2 Lamp LED: L3 = LED 3 Rw (37.5W)	Fluorescent: 40 = 40W Twin Tube Biax 50 = 50W Twin Tube Biax 55 = 55W Twin Tube Biax LED: 35 = White 3500° K 40 = White 4000° K 50 = White 5000° K	Fluorescent: 1 = 1 Ballast 2 = 2 Ballast LED: D = Driver
Exam Lens	Louver	Ambient	Voltage	Options		
1 = Exam .125 Clear Acrylic Lens (Standard) 2 = Exam .125 Prismatic Acrylic Lens 3 = Exam .250 Clear Polycarbonate Lens LC3 = .125 White Frosted Polycarbonate	P1 = 3 x 3 Parabolic Semi-Specular Aluminum P2 = .63 x .63 Parabolic Silver Polystyrene	0 = Ambient No Lens (Standard) 1 = Ambient .125 Clear Acrylic Lens 2 = Ambient .250 Clear Polycarbonate Lens	12 = 120V 27 = 277V 34 = 347V UN = Universal (120V-277V)	FZ = Fuse * NL = 7/9 Watt Fluorescent Night Light Ω Δ* LN = LED Night Light. Consult Ω Δ factory for available color/temperatures. E3 = Emergency Battery Pack (650 Lumens)** ≠ φ *♦ E2 = Emergency Battery Pack (1100 Lumens)** ≠ φ *♦ TH = Torx Head screws (with center pin) RF = Radio Interference Filter Δ (one per circuit or ballast) LV = Low Voltage Controller Δ*		
* Cannot use with Universal Voltage ** 347V EMB (900 lumens) Δ Not Available with 347V φ Ambient Compartment - 1 lamp only	≠ Consult Factory For Emergency Battery Pack Configurations (Internal or External) Ω Ambient Compartment only	■ Consult factory for lamp-ballast options ◆ Not available with 40W Twin Tube Biax lamp ◆ Not available in LED				

Notes:

Specifications and Dimensions are subject to change without notice. For additional options and dimensional details please consult your New Star Lighting Representative. For specific electronic ballast, specify brand and catalog number.



www.newstarlighting.com

New Star - 4000 S. Bell St. - Chicago, IL 60609 - TEL (773) 847-1400 - FAX (773) 254-6811 - v013