

STARMED M1F22

HEALTHCARE SERIES

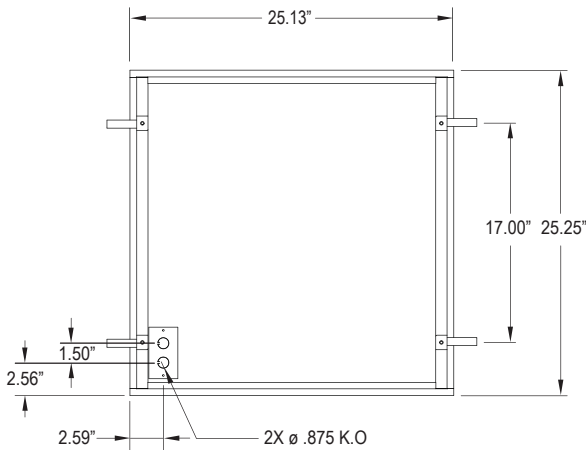
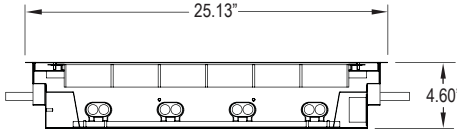
PATIENT ROOM 1 COMPARTMENT LUMINAIRE

RECESSED FLANGE
FLUORESCENT/LED



PROJECT:
TYPE:
PRODUCT:
APPROVED:
DATE:

DIMENSIONAL DATA



RECOMMENDED CEILING CUT-OUT
24-3/8"x24-3/8"

FEATURES

The New Star Star Med M1F22 Healthcare fixture is designed for use in patient room, surgical suites, and medical settings

- Perfect for hospital patient room applications
- Lensed and louvered exam design provides safety against lamp breakage entering the patient room
- Excellent choice for wipe down areas
- Easy maintenance finish
- Flange mounting

APPLICATION

- Hospital Patient Rooms
- Hospital Exam Rooms
- Doctors Exam Rooms

SPECIFICATIONS

HOUSING:

20 gauge formed cold rolled steel housing seamed welded & ground smooth (standard). Stainless steel option available

FRAME:

Inset 18 gauge formed cold rolled steel door frame (standard) Stainless steel option available

LENS:

See ordering matrix for lens options

ELECTRONICS:

Fluorescent:
Electronic Ballast <10% THD standard. RIF available. Lamps by others.

LED: Constant current

Available in three standard color temperatures 3500°K, 4000°K & 5000°K. Other color temperatures available, consult factory.

LED NIGHT LIGHT:

Integrated switch allows light selection at 100%, 70%, 40% and 10% levels

GASKET:

Closed Cell Neoprene

FASTENERS:

Phillips flat head screws with captive cage nuts

FINISH:

White Antimicrobial powdercoat finish following an iron phosphate pre-treatment

LABEL:



Damp Location

ORDERING INFORMATION

Product Family	Housing	Frame	Exam # of Lamps	Lamp Type	Exam # Driver Ballast
M1F22 M1F22 FLANGE 25-1/8" x 25-1/4" x 4-5/8"	HC = 20Ga. CRS (Standard) HS = 20Ga. S.S. HP = 20Ga. S.S. (Painted)	Inset Frame Options: IC = Frame 18G CRS (Standard) IS = Frame 18G S.S. IP = Frame 18G S.S. Steel Painted	Fluorescent: 3 = 3 Lamp 4 = 4 Lamp LED: L6 = LED 6 Rw (75W) L7 = LED 7 Rw (87.5W) L8 = LED 8 Rw (100W)	Fluorescent: 40 = 40W Twin Tube Biax 50 = 50W Twin Tube Biax 55 = 55W Twin Tube Biax LED: 35 = White 3500° K 40 = White 4000° K 50 = White 5000° K	Fluorescent: 1 = 1 Ballast • 2 = 2 Ballast LED: D = Driver
Exam Lens	Louver	Voltage	Options		
1 = Exam .125 Clear Acrylic Lens (Standard) 2 = Exam .125 Prismatic Acrylic Lens 3 = Exam .250 Clear Poly. Lens LC3 = .125 White Frosted Poly.	P1 = 3 x 3 Parabolic Semi - Specular Aluminum P2 = .63 x .63 Parabolic Silver Polystyrene	12 = 120V 27 = 277V 34 = 347V ■ UN = Universal (120V-277V)	FZ = Fuse * E2 = Emergency Battery Pack (1100 Lumens) * (Remote Mount Only) E3 = Emergency Battery Pack (650 Lumens) * (Remote Mount Only) EL1 = Emerg. Bat. LED Low TH = Torx Head screws (with center pin) RF = Radio Interference Filter Δ (one per circuit or ballast)		
* Cannot use with Universal Voltage Δ Not Available with 347V	■ Consult factory for lamp-ballast options ● Not available with 40W Twin Tube Biax lamp				

Notes:

Specifications and Dimensions are subject to change without notice. For additional options and dimensional details please consult your New Star Lighting Representative. For specific electronic ballast, specify brand and catalog number.