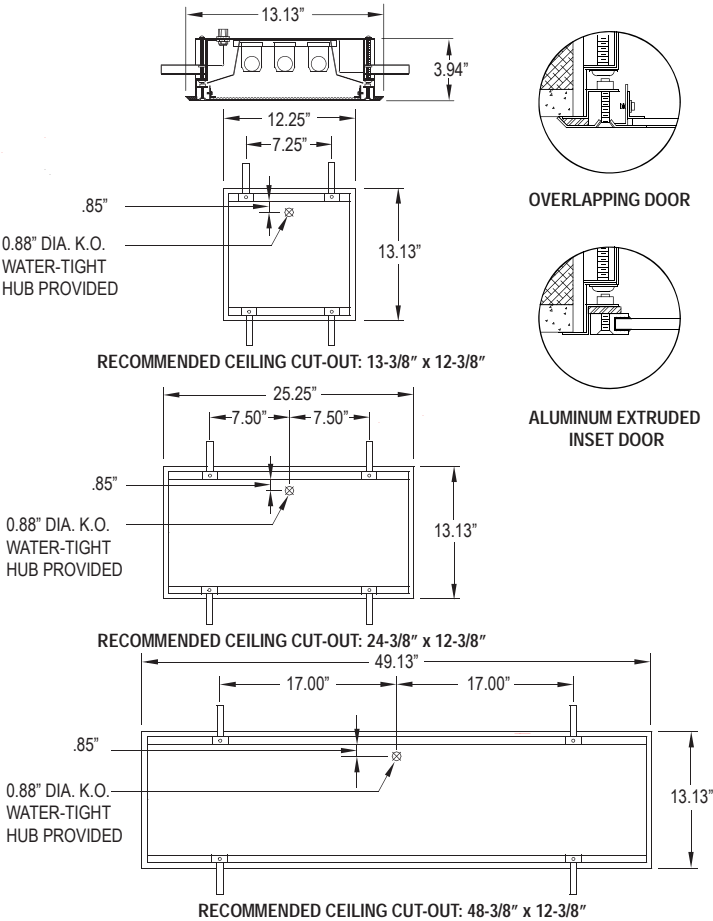


# STAR SURGICAL 11-12-14 FLANGE

HEALTHCARE SERIES  
SURGICAL FLANGE LUMINAIRE  
FLUORESCENT/LED



## DIMENSIONAL DATA



|           |
|-----------|
| PROJECT:  |
| TYPE:     |
| PRODUCT:  |
| APPROVED: |
| DATE:     |

## FEATURES

The New Star "Surgical F11-F12-F14" CleanRoom fixture is designed for use in surgical suites and medical settings which employ laminar or turbulent cleanroom airflow and areas where clean is critical.

- Enclosed design to insure ingress protection
- "Swing arm" mounting system for easy installation
- Optional plaster frame yolk assembly available
- Standard overlapping frame made from single sheet CRS with beveled edges
- Inset frame fabricated from extruded aluminum
- Sealed, reinforced mitered corners
- Gasketed for contamination control
- Dimming Driver (0-10V) standard
- Dimming 1% available
- Asymmetrical light distribution available
- Lens options for different high-tech medical needs
- Smooth surface for minimal maintenance
- Accommodates extreme cleaning protocols
- IP65 rated with overlap frame and inset CRS, stainless steel and aluminum painted

## APPLICATION

- Operating Rooms
- Hospitals
- Isolation Suites
- Patient Examination Rooms
- Laboratory

## SPECIFICATION FEATURES

### HOUSING:

20 gauge formed cold rolled steel housing with continuous seam welds. Aluminum and stainless steel option available. Manufactured in accordance with NSF standards.

### FRAME:

Inset extruded door available in anodized aluminum or white painted aluminum. Overlapping door frame available in aluminum, CRS and stainless steel. Frame fastened to housing via aircraft cable.

### LENS:

Acrylic lens with optional RFI and symmetric/asymmetric pattern, smooth side out. Overlapping frame uses a rail hold down system.

### ELECTRONICS:

Fluorescent:  
Electronic Ballast <10% THD standard. RIF available. Lamps by others.

### LED:

Available in three standard color temperatures 3500°K, 4000°K & 5000°K. Other color temperatures available, consult factory.

### LED NIGHT LIGHT:

Integrated switch allows light selection at 100%, 70%, 40% and 10% levels

### GASKET:

Closed cell pvc or extruded silicone gaskets prevent air contaminants from entering room.

### FASTENERS:

Phillips flat head screws with captive cage nuts

### FINISH:

White Antimicrobial powdercoat finish following iron phosphate pre-treatment.

### INSTALLATION:

Easy installation with adjustable 90° swing arm system standard.

### LABEL:



## ORDERING INFORMATION

| Product Family  | Housing Matl.   | Frame  | # of Lamps   | Lamp Type   |
|---|---|--|--|---|
| <b>SSF_</b>   |   |  |  |   |
| <b>SSF11</b><br>13-1/8" x 13-1/8" x 3-15/16"  | HC = 20Ga. CRS (Standard)   | <b>Overlap Frame</b><br>Options IP65:<br>OC=18Ga. CRS(Stand.)<br>OS=18Ga. S.S (Brush.)<br>OP=18Ga. S.S.(Paint.)<br>OA=Aluminum (Paint.)  | <b>Fluorescent:</b><br>SSF11-SSF12-SSF14<br>2 = 2 Lamp<br>3 = 3 Lamp<br>LED SSF11:<br>M1 = 1 Modular (15W)<br>M2 = 2 Modular (30W)   | <b>Fluorescent:</b><br>SSF11<br>32 = 32W Triple Gx24q-3<br>42 = 42W Triple Gx24q-4<br>SS12<br>17 = Lin 17W T8<br>14 = Lin 14W T5<br>24 = Lin 24W T5 HO  |
| <b>SSF12</b><br>13-1/8" x 25-1/4" x 3-15/16"  | HS = 20Ga. S.S.<br>HP = 20Ga. S.S (Painted)   | <b>Inset Frame Options:</b><br>IE=Extruded Alum.No IP65<br>IP=Extruded Alum.(Paint.) No IP65<br>IC=20Ga. CRS IP65<br>IA=Alum.(Paint.) IP65<br>IB=20Ga. S.S.(Brush.) IP65<br>IS=20Ga. S.S.(Paint.) IP65 | <b>LED SSF12:</b><br>L2 = LED 2 Rw (25W)<br>L3 = LED 3 Rw (37.5W)<br>L4 = LED 4 Rw (50W)<br><b>LED SSF14:</b><br>L2 = LED 2 Rw (50W)<br>L3 = LED 3 Rw (75W)<br>L4 = LED 4 Rw (100W)  | <b>SS14</b><br>28 = Lin 28W T5<br>54 = Lin 54W T5 HO<br>LED:<br>35 = White 3500° K<br>40 = White 4000° K<br>50 = White 5000° K  |
| <b>SSF14</b><br>13-1/8" x 49-1/8" x 3-15/16"  | HA = Alum. (Painted)  |  |  |   |
| # of Ballasts/Drivers   | Lens  | Voltage  | Options  |   |
| 1 = 1 Ballast<br>2 = 2 Ballast  | LED:<br>1 = Driver<br>2 = Driver<br>3 = Driver<br>4 = Driver                                    | 12 = 120V<br>27 = 277V<br>34 = 347V ■<br>UN = Universal (120V-277V)  | DM1 = Dimming driver 1%<br>SD2 = Step Dim. Module(50-100%)▲<br>SD3 = Step Dim. Module(25-50-100%)▲<br>SD3A=Step Dim. Module(33-66-100%)▲<br>PR = Program Rapid Start<br>FZ = Fuse *<br>NL = Fluorescent Night Light *<br>LN = LED Night Light. Consult factory for available color/temperatures. | E1 = Emerg. Bat. Pack (450 Lumens) * ◀◀<br>E2 = Emerg. Bat. Pack (1100 Lumens) * ◀◀<br>EL1= Emerg. Bat. LED Low<br>EL2= Emerg. Bat. LED High<br>RF = RIF (Radio Interference Filter)*<br>TH = Torx Head screws (with center pin)<br>TM = Tandem Mount |
| * Cannot use with universal voltage option<br>+ Must be used when ordering lensed inset door<br>◀ Consult factory for T5 availability | ▲ Not available in 277V<br>■ Consult factory for lamp-ballast options<br>◆ Not available in LED |  |  |   |



| # LED BOARDS   | # ROWS | WATTAGE | EFFICACY (lm/W) | DELIVERED LUMENS |
|--|--------|---------|-----------------|------------------|
| <b>SSF12-SSG12-SSS12</b>   |        |         |                 |                  |
| <b>SCF12-SCG12-SCS12:</b>  |        |         |                 |                  |
| L2   | 2 Rw   | (25.0W) | 110             | 2,750 LMS        |
| L3   | 3 Rw   | (37.5W) | 110             | 4,125 LMS        |
| L4   | 4 Rw   | (50.0W) | 110             | 5,500 LMS        |
| <br>   |        |         |                 |                  |
| <b>SSF14-SSG14-SSS14</b>   |        |         |                 |                  |
| <b>SCF14-SCG14-SCS14:</b>  |        |         |                 |                  |
| L2   | 2 Rw   | (50.0W) | 110             | 5,500 LMS        |
| L3   | 3 Rw   | (75.0W) | 110             | 8,250 LMS        |
| L4   | 4 Rw   | (100W)  | 110             | 11,000 LMS       |
| <br>   |        |         |                 |                  |
| * TAKE AN ADDITIONAL 20% OFF DELIVERED LUMENS WHEN SPECIFYING THE LC3 LENS |        |         |                 |                  |