

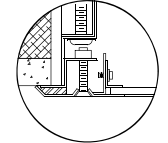
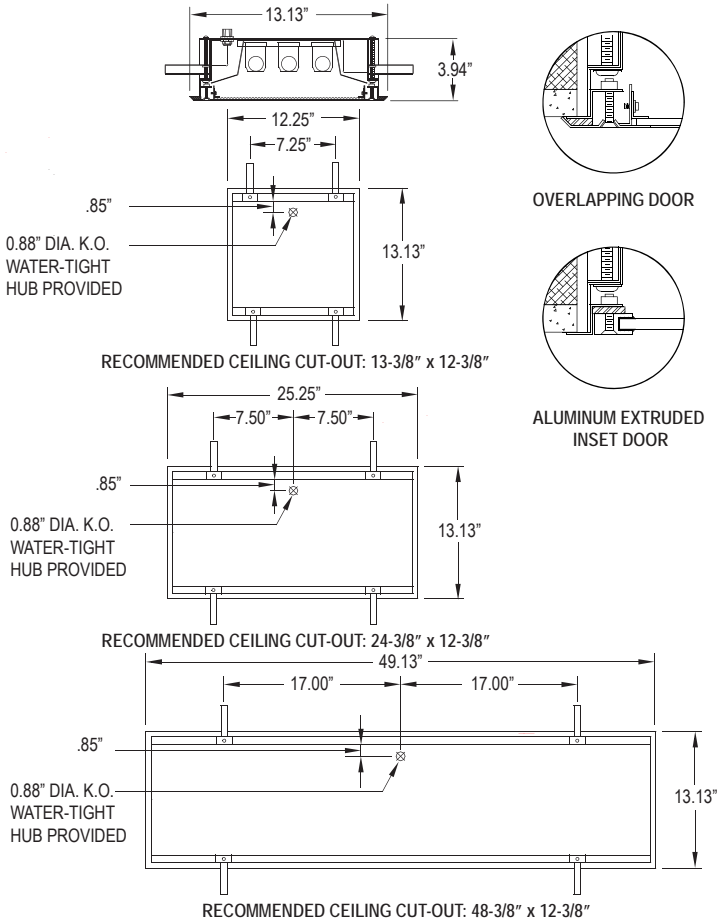
# STAR SURGICAL 11-12-14 FLANGE

HEALTHCARE SERIES  
SURGICAL FLANGE LUMINAIRE  
FLUORESCENT/LED

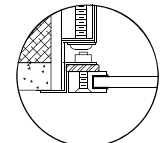


PROJECT:
TYPE:
PRODUCT:
APPROVED:
DATE:

## DIMENSIONAL DATA



OVERLAPPING DOOR



ALUMINUM EXTRUDED INSET DOOR

## FEATURES

The New Star "Surgical F11-F12-F14" CleanRoom fixture is designed for use in surgical suites and medical settings which employ laminar or turbulent cleanroom airflow and areas where clean is critical.

- Enclosed design to insure ingress protection
- "Swing arm" mounting system for easy installation
- Optional plaster frame yolk assembly available
- Standard overlapping frame made from single sheet CRS with beveled edges
- Inset frame fabricated from extruded aluminum
- Sealed, reinforced mitered corners
- Gasketed for contamination control
- Dimming Driver (0-10V) standard
- Dimming 1% available
- Asymmetrical light distribution available
- Lens options for different high-tech medical needs
- Smooth surface for minimal maintenance
- Accommodates extreme cleaning protocols
- IP65 rated with overlap frame and inset CRS, stainless steel and aluminum painted

## APPLICATION

- Operating Rooms
- Hospitals
- Isolation Suites
- Patient Examination Rooms
- Laboratory

## SPECIFICATION FEATURES

### HOUSING:

20 gauge formed cold rolled steel housing with continuous seam welds. Aluminum and stainless steel option available. Manufactured in accordance with NSF standards.

### FRAME:

Inset extruded door available in anodized aluminum or white painted aluminum. Overlapping door frame available in aluminum, CRS and stainless steel. Frame fastened to housing via aircraft cable.

### LENS:

Acrylic lens with optional RFI and symmetric/asymmetric pattern, smooth side out. Overlapping frame uses a rail hold down system.

### ELECTRONICS:

Fluorescent:  
Electronic Ballast <10% THD standard. RIF available. Lamps by others.

### LED:

Available in three standard color temperatures 3500°K, 4000°K & 5000°K. Other color temperatures available, consult factory.

### LED NIGHT LIGHT:

Integrated switch allows light selection at 100%, 70%, 40% and 10% levels

### GASKET:

Closed cell pvc or extruded silicone gaskets prevent air contaminants from entering room.

### FASTENERS:

Phillips flat head screws with captive cage nuts

### FINISH:

White Antimicrobial powdercoat finish following iron phosphate pre-treatment.

### INSTALLATION:

Easy installation with adjustable 90° swing arm system standard.

### LABEL:



## ORDERING INFORMATION

Product Family	Housing Matl.	Frame	# of Lamps	Lamp Type
<b>SSF_</b>				
<b>SSF11</b> 13-1/8" x 13-1/8" x 3-15/16"	HC = 20Ga. CRS (Standard)	Overlap Frame Options IP65:	Fluorescent: SSF11-SSF12- SSF14 2 = 2 Lamp 3 = 3 Lamp LED SSF11: M1 = 1 Modular (15W) M2 = 2 Modular (30W)	Fluorescent: SSF11 32 = 32W Triple Gx24q-3 42 = 42W Triple Gx24q-4 SSF12 17 = Lin 17W T8 14 = Lin 14W T5 24 = Lin 24W T5 HO
<b>SSF12</b> 13-1/8" x 25-1/4" x 3-15/16"	HS = 20Ga. S.S. HP = 20Ga. S.S (Painted)	Inset Frame Options: IE=Extruded Alum.No IP65 IP=Extruded Alum.(Paint.) No IP65 OP=18Ga. S.S.(Paint.) OA=Aluminum (Paint.)	LED SSF12: L2 = LED 2 Rw (25W) L3 = LED 3 Rw (37.5W) L4 = LED 4 Rw (50W) LED SSF14: L2 = LED 2 Rw (50W) L3 = LED 3 Rw (75W) L4 = LED 4 Rw (100W)	28 = Lin 28W T5 54 = Lin 54W T5 HO LED: 35 = White 3500° K 40 = White 4000° K 50 = White 5000° K
<b>SSF14</b> 13-1/8" x 49-1/8" x 3-15/16"	HA = Alum. (Painted)	IC=20Ga. CRS IP65 IA=Alum.(Paint.) IP65 IB=20Ga. S.S.(Brush.) IP65 IS=20Ga. S.S.(Paint.) IP65		
# of Ballasts/Drivers	Lens	Voltage	Options	
1 = 1 Ballast 2 = 2 Ballast	LED: 1 = Driver 2 = Driver 3 = Driver 4 = Driver	12 = 120V 27 = 277V 34 = 347V ■ UN = Universal (120V-277V)	DM1 = Dimming driver 1% SD2 = Step Dim. Module(50-100%)▲ SD3 = Step Dim. Module(25-50-100%)▲ SD3A=Step Dim. Module(33-66-100%)▲ PR = Program Rapid Start FZ = Fuse * NL = Fluorescent Night Light * LN = LED Night Light. Consult factory for available color/temperatures.	E1 = Emerg. Bat. Pack (450 Lumens) * ◀◀ E2 = Emerg. Bat. Pack (1100 Lumens) * ◀◀ EL1= Emerg. Bat. LED Low EL2= Emerg. Bat. LED High RF = RIF (Radio Interference Filter)* TH = Torx Head screws (with center pin) TM = Tandem Mount

\* Cannot use with universal voltage option  
▲ Not available in 277V  
+ Must be used when ordering lensed inset door  
■ Consult factory for lamp-ballast options  
◀ Consult factory for T5 availability  
◆ Not available in LED