

STAR SURGICAL 22-24 FLANGE

HEALTHCARE SERIES
SURGICAL FLANGE LUMINAIRE
FLUORESCENT/LED



PROJECT: _____

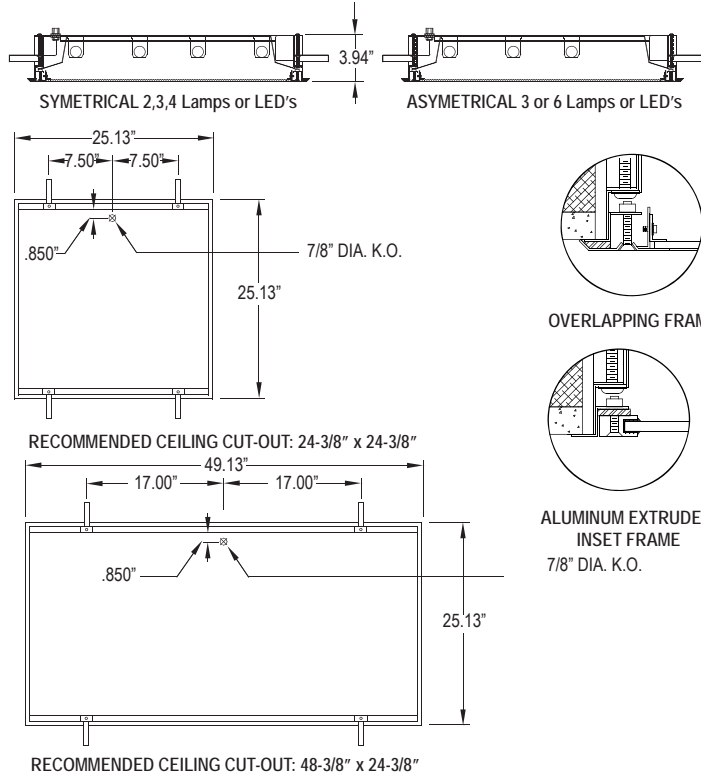
TYPE: _____

PRODUCT: _____

APPROVED: _____

DATE: _____

DIMENSIONAL DATA



FEATURES

The New Star "Surgical F22-F24" Healthcare fixture is designed for use in surgical suites and medical settings which employ laminar or turbulent cleanroom airflow and areas where clean is critical.

- Enclosed design to insure ingress protection
- "Swing arm" mounting system for easy installation
- Standard overlapping frame made from single sheet CRS with beveled edges
- Inset frame fabricated from extruded aluminum
- Sealed, reinforced mitered corners
- Asymmetrical light distribution available
- Dimming Driver (0-10V) standard
- 1% Dimming available
- Gasketed for contamination control
- Lens opt. for different high tech med. needs
- Smooth surface for minimal maintenance
- Accommodates extreme cleaning protocols
- IP65 rated with overlap frame and inset CRS and aluminum painted only
- Patient Examination Rooms
- Laboratory

APPLICATION

- Operating Rooms
- Isolation Suites

SPECIFICATION FEATURES

HOUSING:

20 gauge formed cold rolled steel housing with continuous seam welds. Aluminum and stainless steel option available. Manufactured in accordance with NSF standards.

FRAME:

Inset extruded door available in anodized aluminum or white painted aluminum. Overlapping door frame available in aluminum, CRS and stainless steel. Frame fastened to housing via aircraft cable.

LENS:

SYMMETRICAL/ASYMMETRICAL: Acrylic lens with optional RFI and symmetric / asymmetric or symmetric pattern, smooth side out. Overlapping frame uses a rail hold down system with silicone sealant.

ELECTRONICS:

Fluorescent:
Electronic Ballast <10% THD standard. RIF available. Lamps by others.

LED:

Available in three standard color temperatures 3500°K, 4000°K & 5000°K. Other color temperatures available, consult factory.

LED NIGHT LIGHT:

Integrated switch allows light selection at 100%, 70%, 40% and 10% levels

GASKET:

Closed cell PVC or extruded silicone gaskets prevent air contaminants from entering room.

FASTENERS:

Phillips flat head screws with captive cage

FINISH:

White Antimicrobial powdercoat finish following iron phosphate pre-treatment.

INSTALLATION:

Easy installation with adjustable 90° swing arm system standard.

LABEL:



ORDERING INFORMATION

Product Family	Housing Matl.	Frame	# of Lamps	Lamp Type
SSF_				
SSF22 25-1/8" x 25-1/4" x 3-15/16"	HC = 20Ga. CRS (Standard)	Overlap Frame	Fluorescent: SSF22-SSF24: SYMMETRICAL: 2 = 2 Lamp 4 = 4 Lamp 3 = 3 Lamp 6 = 6 Lamp	SSF22: 17 = Linear 17W T8 14 = Linear 14W T5 24 = Linear 24W T5 HO
SSF24 25-1/8" x 49-1/8" x 3-15/16"	HS = 20Ga. S.S. HP = 20Ga. S.S (Painted) HA = Alum.(Painted) .050	Inset Frame Options: IE=Extruded Alum.No IP65 OC=18Ga. CRS(Stand.) OS=18Ga. S.S (Brush.) No IP65 OP=18Ga. S.S.(Paint.) OA=Aluminum (Paint.)	LED SSF22: L2 = LED 2 Rw (25W) L3 = LED 3 Rw (37.5W) L4 = LED 4 Rw (50W) L5 = LED 5 Rw (62.5W) L6 = LED 6 Rw (75W) L7 = LED 7 Rw (87.5W) L8 = LED 8 Rw (100.0W) LED SSF24: L2 = LED 2 Rw (50W) L3 = LED 3 Rw (75W) L4 = LED 4 Rw (100W) L5 = LED 5 Rw (125W) L6 = LED 6 Rw (150W) L7 = LED 7 Rw (175W) L8 = LED 8 Rw (200W)	SSF24: 32 = Linear 32W T8 28 = Linear 28W T5 54 = Linear 54W T5 HO U6 = 32W U-Lamp • LED: (6" leg spacing) 35 = White 3500°K 40 = White 4000°K 50 = White 5000°K
# Ballasts/Driver	Lens	Voltage	Options	
Fluorescent: 1 = Ballast 2 = Ballast	LED: 1 = Driver 2 = Driver 3 = Driver 4 = Driver	12 = 120V 27 = 277V 34 = 347V ■ UN = Universal (120V-277V)	DB = Dimming Ballast (0-10V) *◆ DM1% = Dimming 1% SD2 = Step Dim. Module(50-100%) SD3 = Step Dim. Module(25-50-100%) SD3A=Step Dim. Module(33-66-100%) PR = Program Rapid Start NL = Fluorescent Night Light * LN = LED Night Light. Consult factory for available color/temperatures. FZ = Fuse *	E1 = Emerg. Bat. Pack (450 Lumens) * ◆◆ E2 = Emerg. Bat. Pack (1100 Lumens) * ◆◆ EL1= Emerg. Bat. LED Low EL2= Emerg. Bat. LED High TH = Torx Head screws (with center pin) TM = Tandem Mount HG = Continuous Hinge door RF = RIF (Radio Interference Filter)* TH = Torx Head screws (with center pin) MS = MIL-STD-461F
* Cannot use with universal voltage option ◆ Consult factory for T5 availability ■ Consult factory for lamp-ballast options	A = .125 Prismatic Acrylic S = .150 Symmetric Asymmetric with RFI Grid Prismatic Acrylic R = .125 Symmetric Prismatic Acrylic with RFI Grid LC3 = .125 White Frosted Polycarbonate	◆ 2 lamp only ◆ Not available in LED		

Notes:
Specifications and Dimensions are subject to change without notice. For additional options and dimensional details please consult your New Star Lighting Representative. For specific electronic ballast, specify brand and catalog number.





# LED BOARDS	# ROWS	WATTAGE	EFFICACY (lm/W)	DELIVERED LUMENS
SSF22-SSG22-SSS22				
SCF22-SCG22-SCS22:				
L2	2 Rw	(25.0W)	110	2,750 LMS
L3	3 Rw	(37.5W)	110	4,125 LMS
L4	4 Rw	(50.0W)	110	5,500 LMS
L5	5 Rw	(62.5W)	110	6,875 LMS
L6	6 Rw	(75.0W)	110	8,250 LMS
L7	7 Rw	(87.5W)	110	9,625 LMS
L8	8 Rw	(100W)	110	11,000 LMS
SSF24-SSG24-SSS24				
SCF24-SCG24-SCS24:				
L2	2 Rw	(50.0W)	110	5,500 LMS
L3	3 Rw	(75.0W)	110	8,250 LMS
L4	4 Rw	(100W)	110	11,000 LMS
L5	5 Rw	(125W)	110	13,750 LMS
L6	6 Rw	(150W)	110	16,500 LMS
L7	7 Rw	(175W)	110	19,625 LMS
L8	8 Rw	(200W)	110	22,000 LMS
* TAKE AN ADDITIONAL 20% OFF DELIVERED LUMENS WHEN SPECIFYING THE LC3 LENS				