

TheraWindow 12-14 FLANGE

HEALTHCARE SERIES
PERFECT DAY FLANGE LUMINAIRE
FLUORESCENT/LED



Made in America



PROJECT:
TYPE:
PRODUCT:
APPROVED:
DATE:

FEATURES

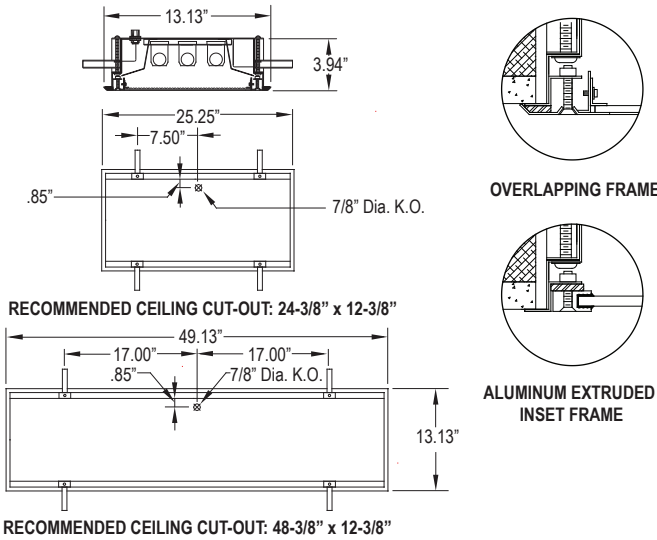
The New Star "Surgical F12-F14" Healthcare fixture is designed for use in surgical suites, medical settings.

- Enclosed design to insure ingress protection
- "Swing arm" mounting system for easy installation
- Standard overlapping frame made from single sheet CRS with beveled edges
- Inset frame fabricated from extruded aluminum
- Sealed, reinforced mitered corners
- Gasketed for contamination control
- Lens options for different high tech medical needs
- Smooth surface for minimal maintenance
- Accommodates extreme cleaning protocols
- IP65 rated

APPLICATION

- Patient Rooms
- MRI Suites
- Dental Procedure Rooms
- Office and Conference Rooms
- Waiting Rooms
- Spas and Wellness Centers

DIMENSIONAL DATA



SPECIFICATION FEATURES

HOUSING:

20 gauge formed cold rolled steel housing with continuous seam welds. Aluminum and stainless steel option available.

FRAME:

Inset extruded door available in anodized aluminum or white painted aluminum. Overlapping door frame available in aluminum, CRS and stainless steel. Frame fastened to housing via aircraft cable.

LENS:

Various standard graphic images and custom graphics. Overlapping frame uses a rail hold down system with silicone sealant.

ELECTRONICS:

Fluorescent:
Electronic Ballast <10% THD standard. RIF available. Lamps by others.

LED: Constant current

Available in three standard color temperatures 3500°K, 4000°K & 5000°K. Other color temperatures available, consult factory.

LED NIGHT LIGHT:

Integrated switch allows light selection at 100%, 70%, 40% and 10% levels

GASKET:

Closed cell PVC or extruded silicone gaskets prevent air contaminants from entering room.

FASTENERS:

Phillips flat head screws with captive cage

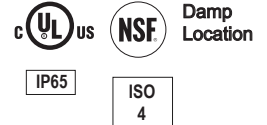
INSTALLATION:

Easy installation with adjustable 90° swing arm system standard.

FINISH:

White Antimicrobial powdercoat finish following iron phosphate pre-treatment.

LABEL:



ORDERING INFORMATION

Product Family	Housing Matl.	Frame	# of Lamps	Lamp Type		
PDF PDF12 13-1/8" x 25-1/4" x 3-15/16" PDF14 13-1/8" x 49-1/8" x 3-15/16"	HC = 20Ga. CRS (Standard) HS = 20Ga. S.S. HP = 20Ga. S.S (Painted) HA = Alum. (Painted)	Overlap Frame Options: ALL IP65 OC = 18Ga. CRS (Standard) OS = 18Ga. S.S (Brushed) OP = 18Ga. S.S. (Painted) OA = Aluminum (Painted)	Inset Frame Options: IE = Extruded Alum. No IP65 IP = Extruded Alum. (Painted) No IP65 IC = 18Ga. CRS IP65 IA = Alum. (Painted) IP65 IB = 18Ga. S.S. (Brushed) IP65 IS = 18Ga. S.S. (Painted) IP65	Fluorescent: PDF12-PDF14 2 = 2 Lamp 3 = 3 Lamp LED PDF12: L2 = LED 2 Rw (25W) L3 = LED 3 Rw (37.5W) L4 = LED 4 Rw (50W)	LED PDF14: L2 = LED 2 Rw (50W) L3 = LED 3 Rw (75W) L4 = LED 4 Rw (100W)	Fluorescent: PDF12: 17 = Lin 17W T8 14 = Lin 14W T5 24 = Lin 24W T5 HO LED: 35 = White 3500° K 40 = White 4000° K 50 = White 5000° K
# of Ballasts/Drivers	Lens	Voltage	Options			
1 = 1 Ballast 2 = 2 Ballast	LED: 1 = Driver 2 = Driver 3 = Driver 4 = Driver	12 = 120V 27 = 277V 34 = 347V ■ UN = Universal (120V-277V)	DB = Dimming Ballast (0-10V) * ◆ DM = Dimming Driver (0-10V) SDM = Step Dimming Module PR = Program Rapid Start FZ = Fuse * NL = Fluorescent Night Light * LN = LED Night Light. Consult factory for available color/temperatures.			
* Cannot use with universal voltage option + Must be used when ordering lensed inset door ◀ Consult factory for T5 availability	RT = Red Flowers w. Tree PT = Palm Tree 1 WF = White Flower P2 = Palm Tree 2 TE = Tree BT = Blue Sky w Tree	B1 = Blue Sky 1 B2 = Blue Sky 2 WT = White Tree WP = White Pink Tree YO = Yellow Orange Tree CI = Custom Image	E1 = Emerg. Bat. Pack (450 Lumens) * ◀◆ E2 = Emerg. Bat. Pack (1100 Lumens) * ◀◆ EL1 = Emerg. Bat. LED Low EL2 = Emerg. Bat. LED High RF = RIF (Radio Interference Filter) * TH = Torx Head screws (with center pin)			
■ Consult factory for lamp-ballast options ◆ Not available in LED						

Notes:

Specifications and Dimensions are subject to change without notice. For additional options and dimensional details please consult your New Star Lighting Representative. For specific electronic ballast, specify brand and catalog number.