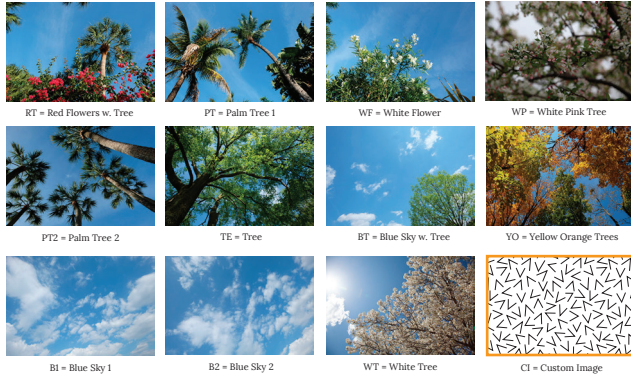


TheraWindow 22-24 Flange

HEALTHCARE SERIES

PERFECT DAY FLANGE LUMINAIRE
FLUORESCENT/LED



| |
|-----------|
| PROJECT: |
| TYPE: |
| PRODUCT: |
| APPROVED: |
| DATE: |

FEATURES

The New Star "Surgical F22-F24" Healthcare fixture is designed for use in surgical suites, medical settings which employ laminar or turbulent cleanroom airflow and areas where clean is critical.

- Enclosed design to insure ingress protection
- "Swing arm" mounting system for easy installation
- Standard overlapping frame made from single sheet CRS with beveled edges
- Inset frame fabricated from extruded aluminum
- Sealed, reinforced mitered corners
- Gasketed for contamination control
- Lens options for different high tech medical needs
- Smooth surface for minimal maintenance
- Accommodates extreme cleaning protocols
- IP65 rated

APPLICATION

- Patient Rooms
- MRI Suites
- Dental Procedure Rooms
- Spas and Wellness Centers
- Office and Conference Rooms
- Waiting Rooms

SPECIFICATION FEATURES

HOUSING:

20 gauge formed cold rolled steel housing with continuous seam welds. Aluminum and stainless steel option available.

FRAME:

Inset extruded door available in anodized aluminum or white painted aluminum. Overlapping door frame available in aluminum, CRS and stainless steel. Frame fastened to housing via aircraft cable.

LENS:

Various standard graphic images and custom graphics. Overlapping frame uses a rail hold down system with silicone sealant.

ELECTRONICS:

Fluorescent:
Electronic Ballast <10% THD standard. RIF available. Lamps by others.

LED: Constant current

Available in three standard color temperatures 3500°K, 4000°K & 5000°K. Other color temperatures available, consult factory.

LED NIGHT LIGHT:

Integrated switch allows light selection at 100%, 70%, 40% and 10% levels

GASKET:

Closed cell PVC or extruded silicone gaskets prevent air contaminants from entering room.

FASTENERS:

Phillips flat head screws with captive cage

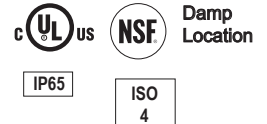
INSTALLATION:

Easy installation with adjustable 90° swing arm system standard.

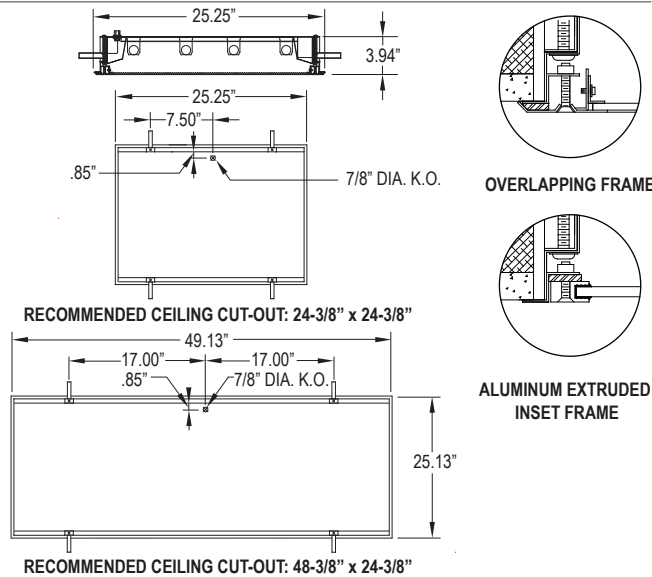
FINISH:

White Antimicrobial powdercoat finish following iron phosphate pre-treatment.

LABEL:



DIMENSIONAL DATA



ORDERING INFORMATION

| Product Family | Housing Matl. | Frame | # of Lamps | Lamp Type |
|---|--|--|---|--|
| PDF_ | | | | |
| PDF22 25-1/8" x 25-1/4" x 3-15/16" | HC = 20Ga. CRS (Standard) HS = 20Ga. S.S. HP = 20Ga. S.S (Painted) HA = Alum. (Painted) | Overlap Frame Options IP65: OC=18Ga. CRS(Stand.) OS=18Ga. S.S (Brush.) OP=18Ga. S.S.(Paint.) OA=Aluminum (Paint.) | Fluor. PDF22: L2 = LED 2 Rw (25W) PDF24: L3 = LED 3 Rw (37.5W) L4 = LED 4 Rw (50W) L5 = LED 5 Rw (62.5W) L6 = LED 6 Rw (75W) L7 = LED 7 Rw (87.5W) L8 = LED 8 Rw (100W) | Fluor. PDF22: 17 = Lin. 17W T8 14 = Lin. 14W T5 24 = Lin. 24W T5 HO U6 = 32W U-Lamp LED: 35 = White 3500° K 40 = White 4000° K 50 = White 5000° K |
| PDF24 25-1/8" x 49-1/8" x 3-15/16" | | Inset Frame Options: IE=Extruded Alum.No IP65 IP=Extruded Alum.(Paint.) No IP65 IC=18Ga. CRS IP65 IA=Alum.(Paint.) IP65 IB=18Ga. S.S.(Brush.) IP65 IS=18Ga. S.S.(Paint.) IP65 | LED PDF24: L2 = LED 2 Rw (50W) L3 = LED 3 Rw (75W) L4 = LED 4 Rw (100W) L5 = LED 5 Rw (125W) L6 = LED 6 Rw (150W) L7 = LED 7 Rw (175W) L8 = LED 8 Rw (200W) | Fluor. PDF24: 32 = Lin. 32W T8 28 = Lin. 28W T5 54 = Lin. 54W T5 HO LED: 35 = White 3500° K 40 = White 4000° K 50 = White 5000° K |
| # Ballasts/Drivers | | Lens | Voltage | Options |
| Fluorescent: LED: 1 = Ballast 1 = Driver 2 = Ballast 2 = Driver 3 = Driver 4 = Driver | RT = Red Flowers w. Tree PT = Palm Tree 1 WF = White Flower P2 = Palm Tree 2 TE = Tree BT = Blue Sky w Tree | B1 = Blue Sky 1 B2 = Blue Sky 2 WT = White Tree WP = White Pink Tree YO = Yellow Orange Tree CI = Custom Image | 12 = 120V 27 = 277V 34 = 347V ■ UN = Universal (120V-277V) | DB = Dimming Ballast (0-10V) *◆ DM = Dimming Driver (0-10V) SDM = Step Dimming Module PR = Program Rapid Start FZ = Fuse * NL = Fluorescent Night Light * LN = LED Night Light. Consult factory for available color/temperatures. |
| * Cannot use with universal voltage option ◆ Consult factory for T5 availability | | ■ Consult factory for lamp-ballast options ◆ Not available in LED | | E1 = Emerg. Bat. Pack(450 Lumens) * ◆◆ E2 = Emerg. Bat. Pack (1100 Lumens) * ◆◆ EL1= Emerg. Bat. LED Low EL2= Emerg. Bat. LED High RF = RIF (Radio Interference Filter)* TH = Torx Head screws (with center pin) TM = Tandem Mount |

Notes:
Specifications and Dimensions are subject to change without notice. For additional options and dimensional details please consult your New Star Lighting Representative. For specific electronic ballast, specify brand and catalog number.

