

# THE RAW WINDOW 12-14 LED

PDS12/PDS14/PDG12/PDG14/PDF12/PDF14

## SPECIFICATION FEATURES

- HOUSING:** 20 gauge formed cold rolled steel housing with continuous seam welds. Aluminum and stainless steel option available.
- FRAME:** Inset extruded door available in anodized aluminum or white painted aluminum. Overlapping door frame available in aluminum, CRS, and stainless steel. Frame fastened to housing via aircraft cable.
- LENS:** Various graphic images available. See page 2 for options. Optional custom graphics. Overlapping frame uses a rail hold down system with silicone sealant.
- LED:** Available in three white color temperatures 3500°K, 4000°K, and 5000°K. Other color temperatures available, consult factory. Standard 0-10V driver provided. Optional dimming function (DM) with 10-100% range.
- GASKET:** Closed cell PVC or extruded silicone gaskets prevent air contaminants from entering room.
- FASTENERS:** Philips flat head screws with captive cage nuts.
- FINISH:** White antimicrobial powder coat finish following an iron phosphate pre-treatment.



**APPLICATION:** Patient Rooms, Dental Offices, Waiting Rooms, Offices, Conference Rooms, and more.

**MOUNTING:** Surface, Grid and Flange install available. Flange fixtures come with adjustable 90° swing arm for easy installation.

**LABEL:** Fixture is certified to UL standards for Damp Location. Certified IP65, ISO4, and NSF.



## ORDERING INFORMATION

Ex: PDF14-HC/IE-L4352-RT-27

PRODUCT FAMILY	MOUNTING	NOMINAL SIZE <small>*Dimensional Data Pg. 2</small>	HOUSING	FRAME Inset (I) or Overlap (O)	# OF LAMPS
PD	S = Surface G = Grid F = Flange	12 = 1x2 14 = 1x4	HC= 20Ga. CRS (standard) HS= 20Ga. SS (painted) HP= 20Ga. SS (painted) HA= .050Ga. Alum. (painted)	IE=Extruded Alum. ✓ IP=Extruded Alum. ✓ (Painted) IP65: IC=20Ga.CRS IA= .050 Alum. (Painted) IB=20Ga.S.S. (Brushed) IS=20Ga.S.S. (Painted) OC=18Ga.CRS (Standard) OS=18Ga.S.S (Brushed) OP=18Ga.S.S. (Painted) OA= .050 Alum. (Painted)	12: L3 = 3 Row (37.5W) 14: L3 = 3 Row (75W)
LAMP TYPE	CIRCUITS	IMAGE SELECTION <small>(See Image Options on Pg. 2)</small>	VOLTAGE	OPTIONS	
35 = 3500°K 40 = 4000°K 50 = 5000°K	1 = 1 Circuit	RT = Red Flowers w. Tree PT = Palm Tree 1 WF = White Flower P2 = Palm Tree 2 TE = Tree BT = Blue Sky w Tree B1 = Blue Sky 1 B2 = Blue Sky 2 WT = White Tree WP = White Pink Tree YO = Yellow Orange Tree CI = Custom Image	12 = 120V 27 = 277V 34 = 347V UN = Universal (120V-277V)	DM FZ* EL1 Δ EL2 Δ TH TM +	

### KEY

DM = Dimming Driver (0-10V) with 10-100% range  
FZ = Fuse\*

Notes:  
Specifications and Dimensions are subject to change without notice.

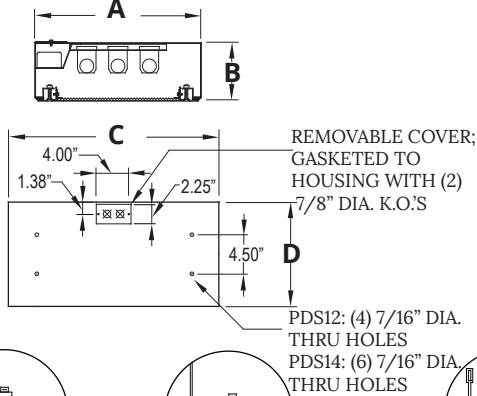
For additional options and dimensional details please consult your New Star Lighting Representative.

EL1 = Emerg. Bat. LED Low Δ  
EL2 = Emerg. Bat. LED High Δ  
TH = Torx Head screws (with center pin)  
TM = Tandem Mount+

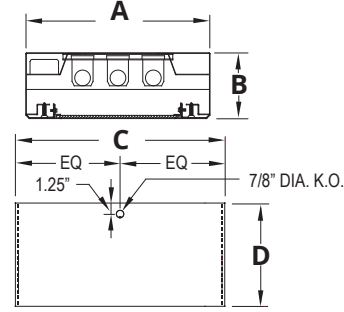
✓ Not IP65  
\* Cannot use with UN voltage  
+ Not available with Grid  
Δ Not available with 347V

## DIMENSIONAL DATA

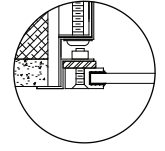
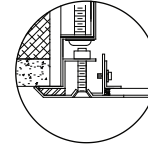
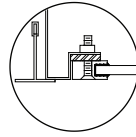
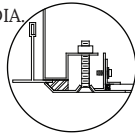
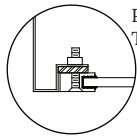
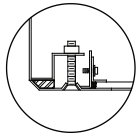
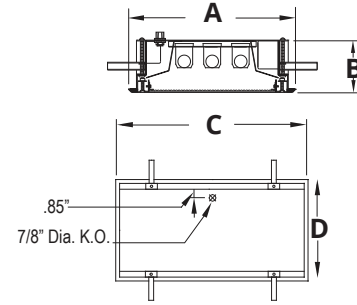
### SURFACE MOUNTING



### GRID MOUNTING



### FLANGE MOUNTING



OVERLAPPING FRAME

ALUMINUM EXTRUDED INSET FRAME

OVERLAPPING FRAME

ALUMINUM EXTRUDED INSET FRAME

OVERLAPPING FRAME

ALUMINUM EXTRUDED INSET FRAME

	A	B	C	D	Recommended Ceiling Cut-Out
PDS12	12.00"	3.94"	24.07"	12.00"	N/A
PDS14	12.00"	3.94"	48.07"	12.00"	N/A
PDG12	11.69"	3.94"	24.20"	11.69"	N/A
PDG14	11.69"	3.94"	48.07"	11.69"	N/A
PDF12	13.13"	3.94"	25.25"	13.13"	24.375" x 12.375"
PDF14	13.13"	3.94"	49.13"	13.13"	48.375" x 12.375"

## IMAGE SELECTION



RT = Red Flowers w Tree



PT = Palm Tree 1



WF = White Flower



P2 = Palm Tree 2



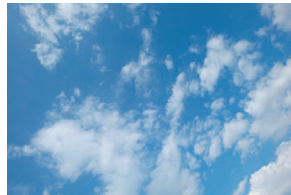
TE = Tree



BT = Blue Sky w Tree



B1 = Blue Sky 1



B2 = Blue Sky 2



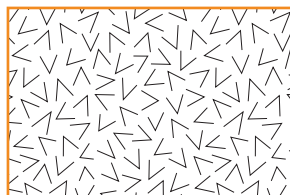
WT = White Tree



WP = White Pink Tree



YO = Yellow Orange Tree



CI = Custom Image

Notes:  
Specifications and Dimensions are subject to change without notice.  
For additional options and dimensional details please consult your New Star Lighting Representative.

# THE WINDOW 12-14 FLUORESCENT

PDS12/PDS14/PDG12/PDG14/PDF12/PDF14

## SPECIFICATION FEATURES

- HOUSING:** 20 gauge formed cold rolled steel housing with continuous seam welds. Aluminum and stainless steel option available.
- FRAME:** Inset extruded door available in anodized aluminum or white painted aluminum. Overlapping door frame available in aluminum, CRS, and stainless steel. Frame fastened to housing via aircraft cable.
- LENS:** Various graphic images available. See page 2 for options. Optional custom graphics. Overlapping frame uses a rail hold down system with silicone sealant.
- ELECTRONICS:** Electronic ballast <10% THD standard. Lamps by others.
- GASKET:** Closed cell PVC or extruded silicone gaskets prevent air contaminants from entering room.
- FASTENERS:** Philips flat head screws with captive cage nuts.
- FINISH:** White antimicrobial powder coat finish following an iron phosphate pre-treatment.



**APPLICATION:** Patient Rooms, Dental Offices, Waiting Rooms, Offices, Conference Rooms, and more.

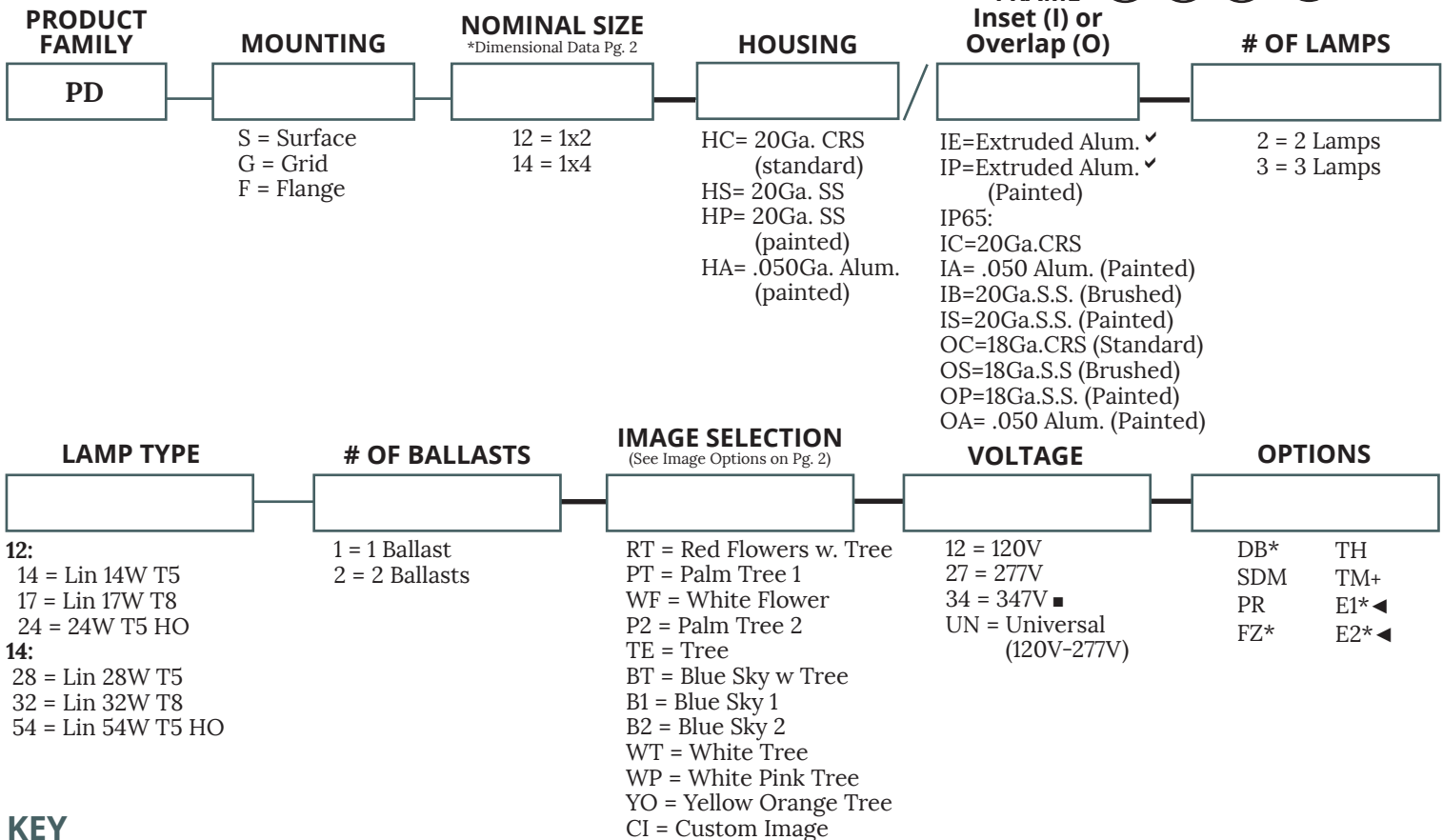
**MOUNTING:** Surface, Grid and Flange install available. Flange fixtures come with adjustable 90° swing arm for easy installation.

**LABEL:** Fixture is certified to UL standards for Damp Location. Certified IP65, ISO4, and NSF.



## ORDERING INFORMATION

Ex: PDF14-HC/IE-2541-RT-UN



## KEY

DB = Dimming Ballast (0-10V)\*  
SDM = Step Dimming Module  
PR = Program Rapid Start  
FZ = Fuse\*

TH = Torx Head screws (with center pin)  
TM = Tandem Mount +  
E1 = Emerg. Battery Pack (450 Lumens)\* ◀  
E2 = Emerg. Battery Pack (1100 Lumens)\* ◀

✓ Not IP65  
■ Consult factory for lamp-ballast options  
\* Cannot use with UN voltage  
◀ Consult factory for T5 availability  
+ Not available with Grid

Notes:  
Specifications and Dimensions are subject to change without notice.  
For additional options and dimensional details please consult your New Star Lighting Representative.

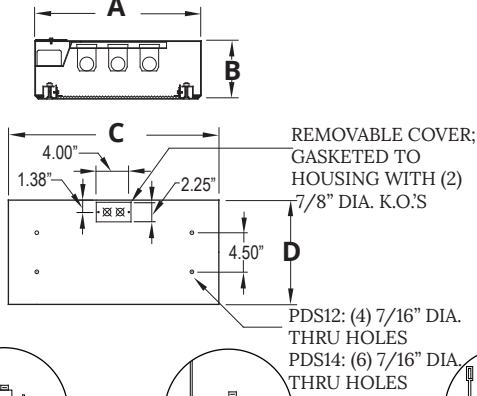
# THE RAW WINDOW 12-14 FLUORESCENT

PDS12/PDS14/PDG12/PDG14/PDF12/PDF14

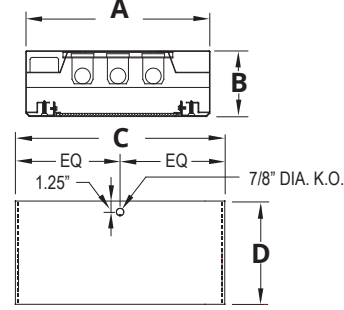


## DIMENSIONAL DATA

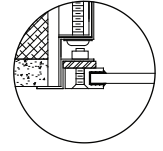
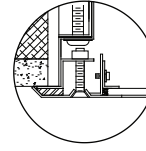
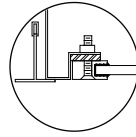
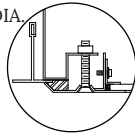
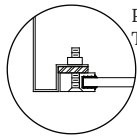
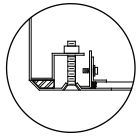
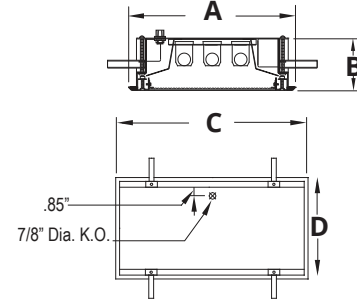
### SURFACE MOUNTING



### GRID MOUNTING



### FLANGE MOUNTING



OVERLAPPING FRAME

ALUMINUM EXTRUDED INSET FRAME

OVERLAPPING FRAME

ALUMINUM EXTRUDED INSET FRAME

OVERLAPPING FRAME

ALUMINUM EXTRUDED INSET FRAME

	A	B	C	D	Recommended Ceiling Cut-Out
PDS12	12.00"	3.94"	24.07"	12.00"	N/A
PDS14	12.00"	3.94"	48.07"	12.00"	N/A
PDG12	11.69"	3.94"	24.20"	11.69"	N/A
PDG14	11.69"	3.94"	48.07"	11.69"	N/A
PDF12	13.13"	3.94"	25.25"	13.13"	24.375" x 12.375"
PDF14	13.13"	3.94"	49.13"	13.13"	48.375" x 12.375"

## IMAGE SELECTION



RT = Red Flowers w Tree



PT = Palm Tree 1



WF = White Flower



P2 = Palm Tree 2



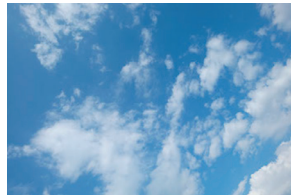
TE = Tree



BT = Blue Sky w Tree



B1 = Blue Sky 1



B2 = Blue Sky 2



WT = White Tree



WP = White Pink Tree



YO = Yellow Orange Tree



CI = Custom Image

### Notes:

Specifications and Dimensions are subject to change without notice.  
For additional options and dimensional details please consult your New Star Lighting Representative.