

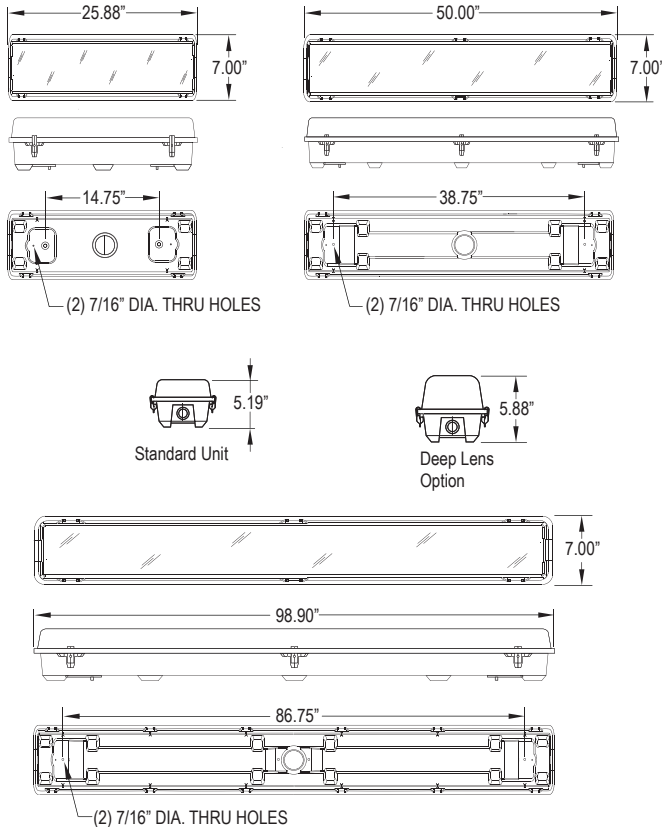
UNGER 2-4-8

HIGH ABUSE SERIES
VAPORTIGHT LUMINAIRE
FLUORESCENT/LED



PROJECT:
TYPE:
PRODUCT:
APPROVED:
DATE:

DIMENSIONAL DATA



FEATURE

The New Star "Unger Series" High Abuse fixture is a hardy fixture that offers vapor tight enclosure for any application where a moisture barrier is critical and is ideal for harsh environments

- Non-metallic vapor tight luminaire
- Dimming Driver (0-10V) standard
- Optional stainless steel mounting bracket for pendant applications
- Dimming 1% available
- Standard side hub conduit

APPLICATION

- Bridges
- Tunnels
- Natoriums
- Stairwells
- Schools
- Underpasses
- Public Areas
- Food Processing Facilities
- Parking Garages
- Gas Stations
- Carwashes
- Government Facilities
- Industrial Facilities
- Subways

SPECIFICATION FEATURES

HOUSING:

Fiberglass body is virtually unbreakable with superior corrosion resistance. Incorporates a removable gear tray that is unitized with all electrical components for easy installation and maintenance.

LENS:

Continuous formed, impact resistant linear lens. Lens upgrades available. Internal pattern allows a smooth exterior surface for ease of cleaning.

ELECTRONICS:

Fluorescent: Electronic Ballast <10% THD standard.

LED:

Available in three standard color temperatures 3500°K, 4000°K & 5000°K. Other color temperatures available, consult factory.

GASKET DIFFUSER

RETENTION SLOT:

The gasketed inverted U-slot provides a positive continuous seal between body and diffuser.

GASKET:

A continuous poured gasket which completely fills channel for maximum seal integrity.

FASTENERS:

Suitcase style latches to ensure vaportight seal.

MOUNTING:

An optional stainless steel bracket is available for chain or flush mounting.

LABEL:



ORDERING INFORMATION

Product Family	# of Lamp	Lamp Type	# Ballast/Drivers	Lens
NSUN_				
NSUN2 25-7/8" x 7" NSUN4 50" x 7" x 7" NSUN8 98-15/16" x 7"	Fluorescent: NSUN2-NSUN4 2 = 2 Lamp NSUN8 4 = 4 Lamp Tandem LED NSUN2: L2 = LED 2 Rw(25 W)	Fluorescent: NSUN2 17 = 17W T8 14 = 14W T5 (Standard) 24 = 24W T5 HO NSUN4-NSUN8 32 = 32W T8 28 = 28W T5(Standard) 54 = 54W T5 HO	Fluorescent: 1 = Ballast 2 = Ballast LED: 35 = White 3500° K 40 = White 4000° K 50 = White 5000° K	AC = 50 % DR High Impact crepe pattern acrylic (Standard) PC = Prismatic Polycarbonate ♦ EX = 100% DR Extreme crepe pattern acrylic NSUN4-NSUN8 Deep Lens Option: DP = Prismatic Polycarbonate DA = 50% DR High Impact crepe pattern acrylic
Voltage 12 = 120V 27 = 277V 34 = 347V ■ UN = Universal (120V-277V)	Options DM1= Dimming 1% driver DB = Dimming Ballast (0-10V) ♦ DM = Dimming Driver (0-10V) SD2 = Step Dim. Module(50-100%) SD3 = Step Dim. Module(25-50-100%) SD3A=Step Dim. Module(33-66-100%) LN = LED Night Light. Consult factory for available color/temperatures. PC = Photocell * FZ = Fuse * SL = Stainless steel latch	E1 = Emerg. Bat. Pack (450 Lumens) * ◀ E2 = Emerg. Bat. Pack (1100 Lumens) * ◀ EL1= Emerg. Bat. LED Low EL2= Emerg. Bat. LED High ST = SS tamper proof latch with #8-32 X 5/8" Torx screws BK = Bracket Assembly Kit D2 = Lock Tight Conduit Plug CW = Cold Weather Ballast (-30°C) WP = White End Plug	* Cannot use with UN voltage option ◀ Consult factory for T5 availability ■ Consult factory for lamp-ballast options ♦ Not available in 8 ft.	



3-10-16

Notes:
Specifications and Dimensions are subject to change without notice. For additional options and dimensional details please consult your New Star Lighting Representative. For specific electronic ballast, specify brand and catalog number.

