

WARRIOR N2-N4

CONFINEMENT SERIES

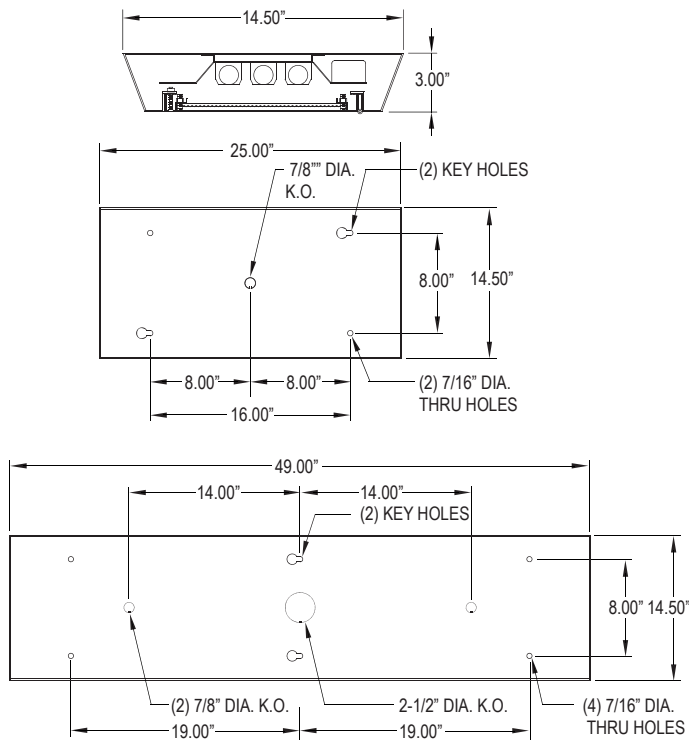
SURFACE LUMINAIRE

NON-CLAMHELL DESIGN FOR MIN. TO MAX. SECURITY
FLUORESCENT/LED



PROJECT:
TYPE:
PRODUCT:
APPROVED:
DATE:

DIMENSIONAL DATA



FEATURES

The New Star "Warrior N2-N4" Confinement slope surface fixture is designed for security application where easy authorized access is a factor.

- 18-12 gauge die formed steel or stainless steel non-clam shell housing with full length continuous staked piano hinge with welded end.
- Maximum to super maximum security application
- Sloped side design increases strength and durability
- Wide variety of lens options held in place with Z-Channel and weld studs
- Torx head center pin screws standard
- Black neoprene gasket around door frame to prevent light leaks
- Optional wet location

APPLICATION

- Confinement
- Psychiatric Wards
- Detention Centers
- Public Housing Complexes
- Transportation Applications
- Athletic Facilities
- Locker Rooms

SPECIFICATION FEATURES

HOUSING:

Die formed, seam welded, and ground smooth (specify material and gauge). Incorporates a removable reflector unitized with all electrical components for easy installation and maintenance.

FRAME:

Die formed one-piece frame with tightly closed corners. (material and gauge to match housing).

HINGE:

16 gauge full length continuous, staked piano hinge, with welded ends. to prevent removal (material to match housing).

LENS / LENS RETENTION:

Lens per specification (see options) and secured by "Z" retainers with weld studs spaced six inches apart for maximum strength.

ELECTRONICS:

Fluorescent:
Electronic Ballast <10% THD standard. RIF available. Lamps by others.

LED: Constant current

Available in three standard color temperatures 3500°K, 4000°K & 5000°K. Other color temperatures available, consult factory.

LED NIGHT LIGHT:

Integrated switch allows light selection at 100%, 70%, 40% and 10% levels

GASKET:

Black neoprene gasket around door frame to prevent light leaks

FASTENERS:

Tamper resistant countersunk, flat head Torx screws with center pin reject

FINISH:

White powdercoat finish following an iron phosphate pre-treatment.

LABEL:



ORDERING INFORMATION

Product Family

WARN_

WARN2
14-1/2" x 25" x 3"
WARN4
14-1/2" x 49" x 3"

Gauge

B = 14 Ga. CRS
C = 16 Ga. CRS
D = 18 Ga. CRS
E = 14 Ga. SS (Brushed)
F = 16 Ga. SS (Brushed)
G = 18 Ga. SS (Brushed)
H = 14 Ga. SS (Painted)
J = 16 Ga. SS (Painted)
K = 18 Ga. SS (Painted)

of Lamps

Fluorescent
WARN2-WARN4:
1 = 1 Lamp
2 = 2 Lamp
3 = 3 Lamp
LED WARN2:
L2 = LED 2 Row (25W)
L3 = LED 3 Row (37.5W)
LED WARN4:
L2 = LED 2 Row (50W)
L3 = LED 3 Row (75W)

Lamp Type

WARN
17 = Linear 17W T8
14 = Linear 14W T5
24 = Linear 24W T5 HO
40 = 40 Twin 2Gx11 (2 lamp only)
WARN4
32 = 32W T8
28 = 28W T5
54 = 54W T5 HO
LED:
35 = White 3500°K
40 = White 4000°K
50 = White 5000°K

of Ballasts/Drivers

Fluorescent:
1 = 1 Ballast
2 = 2 Ballast
LED:
1 = Driver
2 = Driver

Outer Lens

Ø = No Lens
A = .125 Clear Polycarbonate
B = .156 Clear Polycarbonate
1 = .187 Clear Polycarbonate
2 = .250 Clear Polycarbonate
3 = .375 Clear Polycarbonate.
5 = .187 Clear Temp. Glass
6 = .250 Clear Temp. Glass
7 = .375 Clear Temp. Glass ^

Inner Lens

Ø = No Lens
A = .125 Pris. Acrylic
B = .125 Pris. Polycarbonate
C = .156 Pris. Polycarbonate
D = .187 Pris. Polycarbonate
E = .156 Pris. Temp. Glass
F = .156 Pris. Acrylic
G = .140 DR Acrylic
LC3 = .125 White Frosted Polycarbonate

Voltage

12 = 120V
27 = 277V
34 = 347V ■
UN = Universal (120V-277V)

Options

DB = Dimming Ballast (0-10V) * ♦
DM = Dimming Driver (0-10V)
SDM = Step Dimming Module
PR = Program Rapid Start
FZ = Fuse *
NL = Fluorescent Night Light *
LN = LED Night Light. Consult factory for available color/temperatures
AH = Allenhead Screws with center pin reject
E1 = Emerg. Bat. Pack (450 Lumens) * ♦♦
E2 = Emerg. Bat. Pack (1100 Lumens) * ♦♦
EL1 = Emerg. Bat. LED Low
EL2 = Emerg. Bat. LED High
TH = Torx Head screws (with center pin)
TM = Tandem Mount
WL = Wet Location
UV = .005 UV Absorbing Overlay
RGT = Removable Gear Tray

* Cannot use with universal voltage option
^ Must Use 12 or 14 Gauge Frame

◀ Consult factory for T5 availability
■ Consult factory for lamp-ballast options
♦ Not available in LED



Notes:
Specifications and Dimensions are subject to change without notice. For additional options and dimensional details please consult your New Star Lighting Representative. For specific electronic ballast, specify brand and catalog number.

Based on a .125 Clear Polycarbonate outer lens / .125 Prismatic Acrylic Inner lens

# LED BOARDS	# ROWS	WATTAGE	EFFICACY (lm/W)	DELIVERED LUMENS
--------------	--------	---------	-----------------	------------------

WARN2:

L2	2 Rw	(25.0W)	115	2,875 LMS
L3	3 Rw	(37.5W)	115	4,315 LMS

WARN4:

L2	2 Rw	(50.0W)	115	5,750 LMS
L3	3 Rw	(75.0W)	115	8,625 LMS

TAKE AN ADDITIONAL 20% OFF DELEIVERED LUMENS WHEN SPECIFYING THE LC3 LENS