

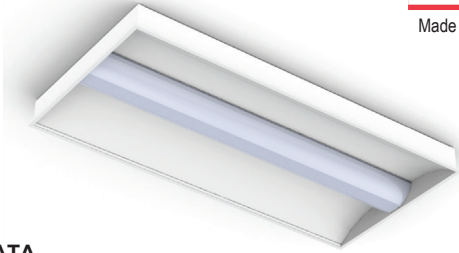
AURAMED CLASSIC 22-24

HEALTHCARE SERIES

GLAREFREE LUMINAIRE
FLUORESCENT/LED
GRID & FLANGE



Made in America

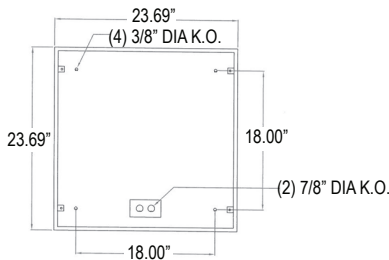


DIMENSIONAL DATA

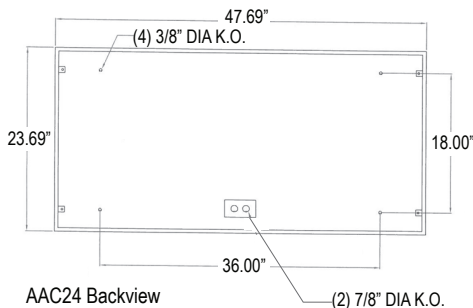


Cross Section Without Door

Cross Section With Door



AAC22 Backview



AAC24 Backview

PROJECT:
TYPE:
PRODUCT:
APPROVED:
DATE:

FEATURES

The New Star "AuraMed Classic" glare-free direct lighting fixture is designed to deliver ambient lighting. Unique clip design allows for tool-free lens removal for ease of maintenance.

- Recessed Mount
- Glare free ambient lighting
- Grid/Flange Mount
- Tool free maintenance

APPLICATION

- Hotels
- Offices
- Corridors
- Universities
- Hospitals

SPECIFICATION FEATURES

HOUSING:

20 gauge formed cold rolled steel housing with continuous seam welds.

FRAME:

Optional die formed CRS or aluminum frame

LENS:

Clear or white polycarbonate ribbed lens.

LENS RETENTION:

Unique clip design allows for tool-free lens removal.

ELECTRONICS:

Fluorescent:

Electronic Ballast <10% THD standard. Lamps by others.

LED:

Available in three standard color temperatures 3500°K, 4000°K & 5000°K. Other color temperatures available, consult factory.

FASTENERS:

Flat head screws with captive cage.

FINISH:

White Antimicrobial powdercoat finish following an iron phosphate pre-treatment (standard)

MAINTENANCE:

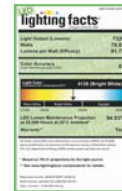
Tool-free lens removal for ease lamp replacement and maintenance

LABEL:

• Damp Location



AACG24-HC-L3402-RW-UN-WH



ONLY FIXTURE LISTED MEETS "LIGHTING FACTS"

ORDERING INFORMATION

Product Family	Housing Material	Frame/Lens	# of Lamps/Lumen Output	
AAC_				
AAC22 GRID/FLANGE 23-11/16" x 23-11/16" x 3-1/2" AAC24 GRID/FLANGE 23-11/16" x 47-11/16" x 3-1/2" (Flange version supplied w/mounting kit)	HC = 20Ga. CRS (Standard) HA = Alum. (Painted)	Fluorescent/LED: Overlap Frame Options: Blank = No Lens OCA = 18Ga. CRS .125 Clr. Poly.lens OAA = Alum.(Painted).125 Clr. Poly.lens OC1 = 18Ga. CRS .187 Clr. Poly. lens OA1 = Alum.(Painted).187 Clear Poly.lens	Fluorescent AAC22/AAC24: 1 = 1 Lamp 2 = 2 Lamp 3 = 3 Lamp LED AAC22: L1 = 1200 Lumens (12.5W) L2 = 2400 Lumens (25W) L3 = 3600 Lumens (37.5W)	
		Fluorescent/LED: Inset Frame Options: Blank = No Lens ICA = 18Ga. CRS .125 Clr. Poly.lens ICT = 18Ga. CRS .125 Clr. Acrylic lens ICG = 18Ga. CRS .140 Clr.Acrylic lens IC1 = 18Ga. CRS .187 Clr. Poly. lens IAA = Alum.(Painted).125 Clr. Poly.lens IA1 = Alum.(Painted).187 Clr. Poly.lens	LED AAC24: L1 = 2400 Lumens (25W) L2 = 4800 Lumens (50W) L3 = 7200 Lumens (75W)	
Lamp Type	# of Ballst/Drivers	Lens	Voltage	Options
Fluorescent: AAC22: 17 = Linear 17W T8 14 = Linear 14W T5 24 = Linear 24W T5 HO	Fluorescent/ LED: 1 = Ballast 1 = Driver 2 = Ballast 2 = Driver	RW = Ribbed White Polycarbonate RC = Ribbed Clear Polycarbonate	12 = 120V 27 = 277V 34 = 347V ■ UN = Universal (120V-277V)	DB = Dimming Ballast (0-10V) * PR = Program Rapid Start FZ = Fuse * E1 = Emerg. Bat.(450 Lumens) * E2 = Emerg. Bat. Pack (1100 Lumens) * AH = Allen Head Screws (center pin) TH = Torx Head Screws(center pin) CC = Custom Color (specify RAL number)
AAC24: 32 = Linear 32W T8 factory 28 = Linear 28W T5 54 = Linear 54W T5 HO	* Cannot use with universal voltage option ■ Consult factory for lamp-ballast opt. (Fluorescent Lamp only)			

Notes:

Specifications and Dimensions are subject to change without notice. For additional options and dimensional details please consult your New Star Lighting Representative. For specific electronic ballast, specify brand and catalog number.

