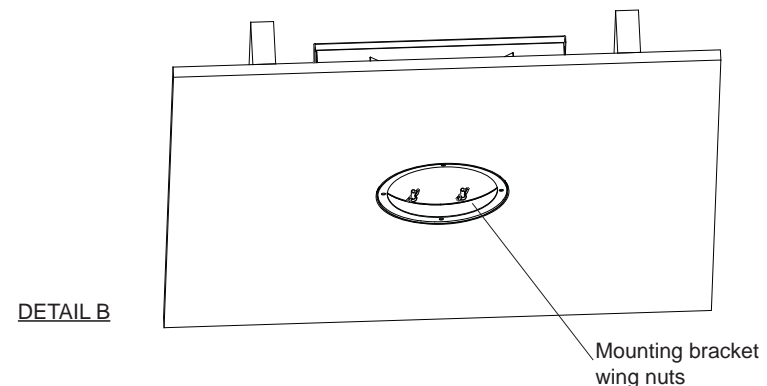
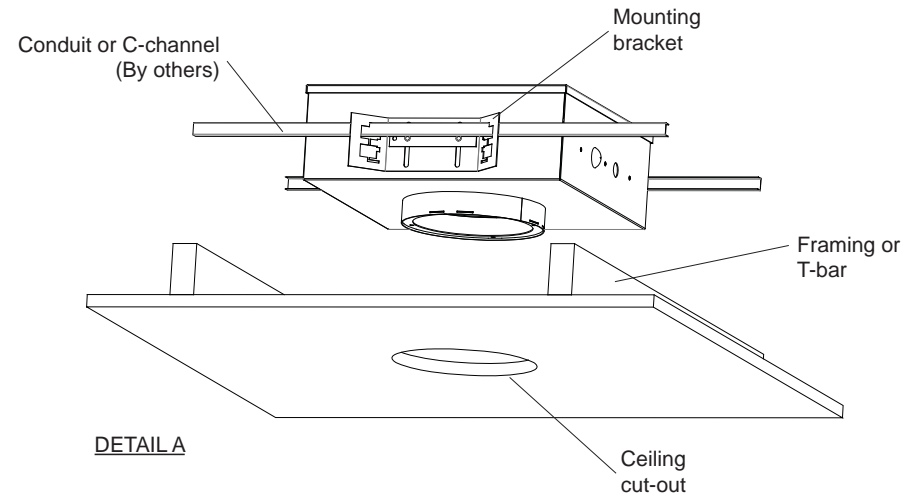


DLM6V, DLM6H, DLM6L, DLM8V, & DLM8H Installation Instructions

WARNING:

- DISCONNECT POWER BEFORE BEGINNING INSTALLATION.
- FIXTURE MUST BE INSTALLED IN COMPLIANCE WITH THE NATIONAL ELECTRIC CODE AND ANY LOCAL CODES.
- TO BE INSTALLED ONLY BY A QUALIFIED ELECTRICIAN.
- RISK OF FIRE, USE A MINIMUM OF 90 DEG C SUPPLY CONDUCTORS.

1. Cut hole in ceiling for down light (8" = 10-3/4" & 6" = 8-3/4").
2. Remove trim-reflector assembly by unscrewing (4) mounting screws. For Fluorescent version un-clip socket cap from reflector. Set assembly to the side. See detail E.
3. Insert conduit or C-channel (by others) through adjustable mounting brackets. Bend brackets to secure. See detail A.
4. Position down light onto ceiling cut-out. See detail A.
5. Loosen mounting brackets wing nuts and adjust until bottom of fixture is flush with room side of ceiling. Securely retighten wing nuts. See detail B.



- The fixture must be connected directly to the building structure, independent of the grid or framing. Use (2) hanger wires on each mounting bracket to secure fixture to building structure.

NOTE: In addition, follow all local building codes regarding additional support of fixture.

- Remove ballast/driver cover by unscrewing (2) wing nuts. See detail D.

- Fasten flexible wire conduit to one of the 7/8" dia. holes on the side of the down light. Plug remaining hole (if not used) with provided Heyco plug. Connect fixture hot, neutral, and ground conductors to matching building conductors. See detail C.

- For 0-10V dimmer connect gray/violet leads. Cap leads if dimmer is not used.

- Reinstall ballast/driver cover. See detail D.

- Lamp fixture if applicable.

- Reinstall florescent socket cap (if applicable) and trim-reflector assembly. See detail E.

