



DOS22/DOS24 Installation Instructions

4000 South Bell Ave. Chicago IL 60609 - 773.847.1400 - www.newstarlighting.com

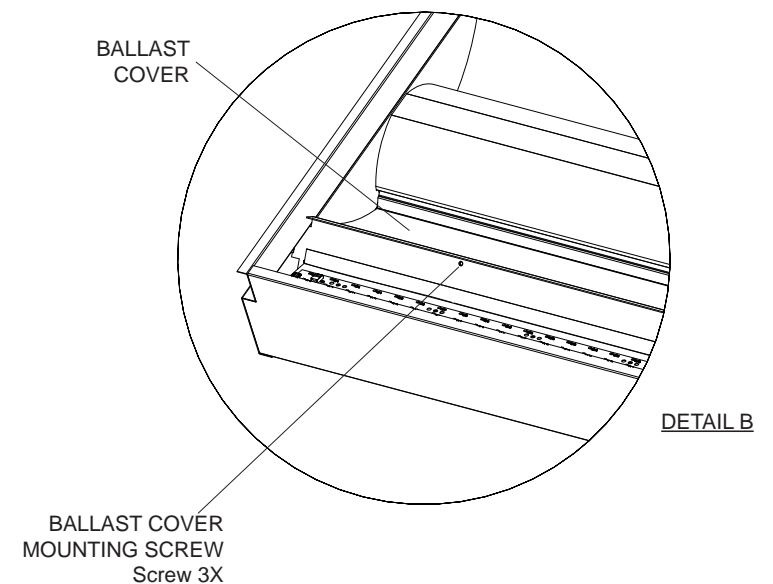
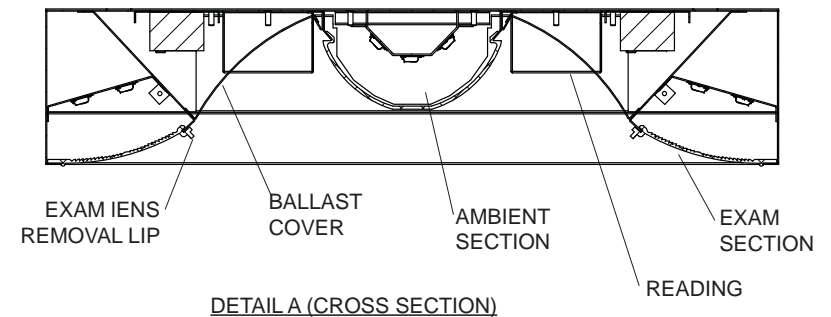
WARNING:

- DISCONNECT POWER BEFORE BEGINNING INSTALLATION.
- FIXTURE MUST BE INSTALLED IN COMPLIANCE WITH THE NATIONAL ELECTRIC CODE AND ANY LOCAL CODES.
- TO BE INSTALLED ONLY BY A QUALIFIED ELECTRICIAN.
- RISK OF FIRE, USE A MINIMUM OF 90 DEG C SUPPLY CONDUCTORS.

GRID INSTALLATION INSTRUCTIONS:

Note: Position fixture with the reading section of the fixture closest to the head wall.

1. Remove exam lens near power access plate by pulling back and down on the lens lip. See detail A & D.
2. Unfasten ballast cover mounting (3) screws and remove cover. See detail A & B.
3. Angle fixture up through the opening in the grid ceiling. Rest fixture on grid.



- The fixture must be connected directly to the building structure, independent of the grid. Locate the hanger support tab at each corner. See detail E. Connect hanger wire on all (4) support tabs and to building structure.

NOTE: In addition, follow all local building codes regarding additional support of fixture.

- Fasten flexible wire conduit to one of (2) 7/8" dia. knock outs on the back of the fixture. Connect fixture hot, neutral, and ground conductors to matching building conductors. See detail D.

- Reinstall ballast cover and lamp fixture if applicable.

- Reinstall lens.

