

M3U24/M3F24 Installation Instructions

4000 South Bell Ave. Chicago IL 60609 - 773.847.1400 - www.newstarlighting.com

WARNING:

- DISCONNECT POWER BEFORE BEGINNING INSTALLATION.
- FIXTURE MUST BE INSTALLED IN COMPLIANCE WITH THE NATIONAL ELECTRIC CODE AND ANY LOCAL CODES.
- TO BE INSTALLED ONLY BY A QUALIFIED ELECTRICIAN.
- RISK OF FIRE, USE A MINIMUM OF 90 DEG C SUPPLY CONDUCTORS.

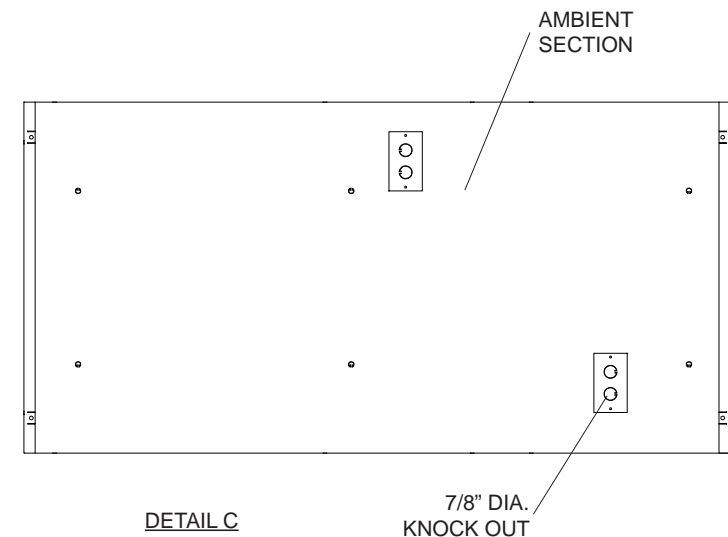
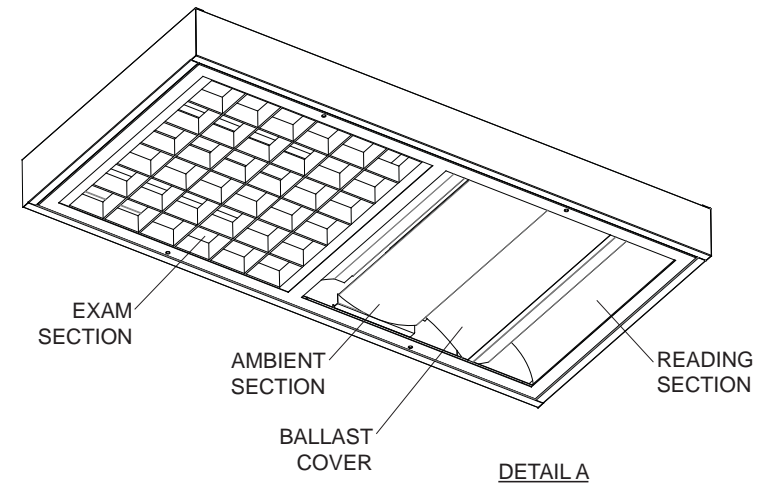
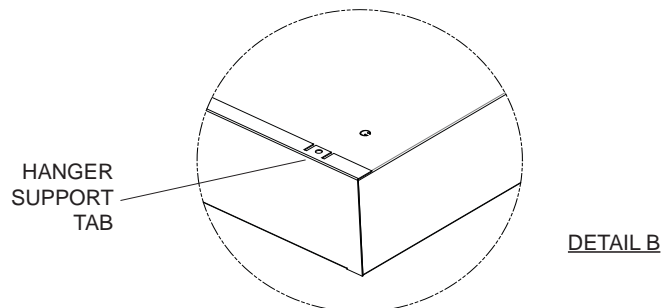
GRID INSTALLATION INSTRUCTIONS:

Note: Position fixture with the end (reading section) of the fixture 6" from the wall.

1. Remove door and ballast covers in ambient section. See detail A.
2. Angle fixture up through the opening in the grid ceiling. Rest fixture on grid.
3. The fixture must be connected directly to the building structure, independent of the grid. Locate the hanger support tab at each corner. See detail B. Use hanger wire on all (4) support tabs to the fixture to building structure.

NOTE: In addition, follow all local building codes regarding additional support of fixture.

4. Fasten flexible wire conduit to one of four 7/8" dia. Knock outs on the back of the fixture. Connect fixture hot, neutral, and ground conductors to matching building conductors. See detail C.
5. Reinstall ballast covers and lamp fixture.
6. Reinstall Door.



FLANGE INSTALLATION INSTRUCTIONS:

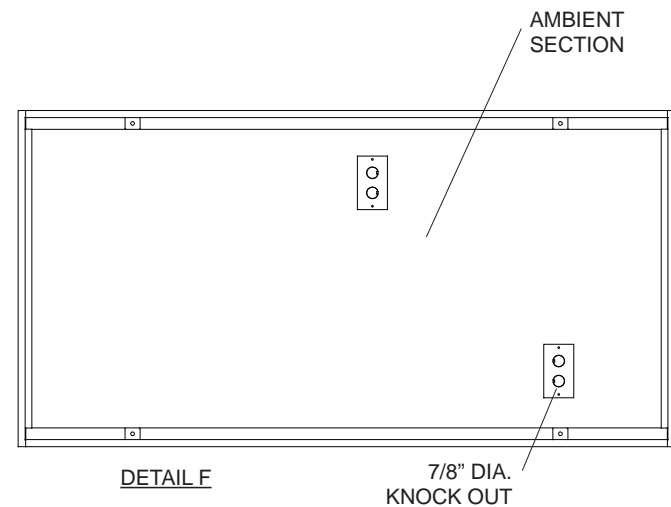
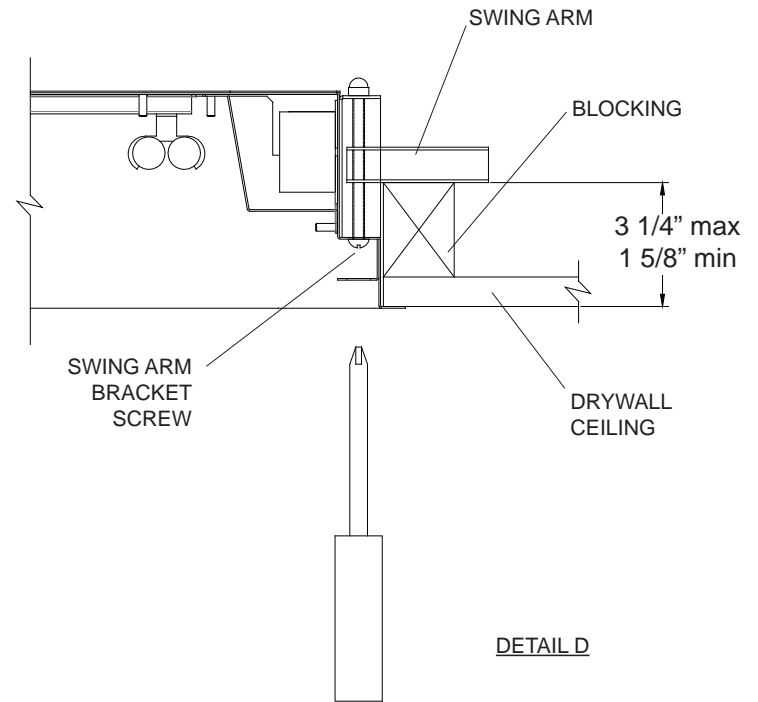
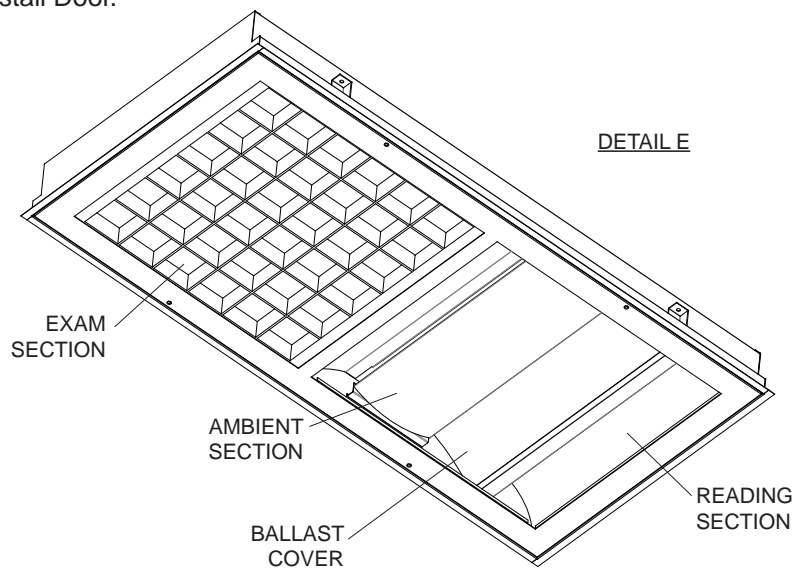
Note: Position fixture with the end (reading section) of the fixture 6" from the wall.

1. Cut appropriate size opening in ceiling.

2ft x 4ft hsg.: 48 3/8" x 25 11/16"

NOTE: Opening in ceiling should be a cut within 1/16" of the provided dimensions, cut square, and not located on a seam. The ceiling should be a flat smooth surface free of imperfections.

2. Install blocking around opening with the inside edge flush with the cut opening. Securing blocking in place from room side of ceiling. See detail D.
3. Remove door and ballast covers in ambient section. See detail E.
4. Position fixture just below ceiling opening, resting on a support surface.
5. Fasten flexible wire conduit to one of four 7/8" dia. Knock outs on the back of the fixture. Connect fixture hot, neutral, and ground conductors to matching building conductors. See detail F.
6. Lift fixture up into opening. Turn swing arm bracket screws clockwise alternating between swing arm locations (4) until fixture is snug against ceiling. See detail D.
7. Reinstall ballast covers and lamp fixture.
8. Reinstall Door.



SURFACE INSTALLATION INSTRUCTIONS:

Note: Position fixture with the end (reading section) of the fixture 6" from the wall.

1. Remove door, ambient section ballast covers, and reading section reflector. See detail A.
2. Punch out (6) 3/8" dia. mounting knock outs in fixture. See detail G.
3. Position fixture just below junction box(s) in the ceiling, resting on a support surface.
4. Fasten flexible wire conduit to one of four 7/8" dia. Knock outs on the back of the fixture. Connect fixture hot, neutral, and ground conductors to matching building conductors.
5. Lift fixture up against ceiling and fasten to ceiling through mounting holes (Hardware by others).
6. Reinstall ambient section ballast covers and reading section reflector.
7. Lamp fixture.
8. Reinstall Door.

