



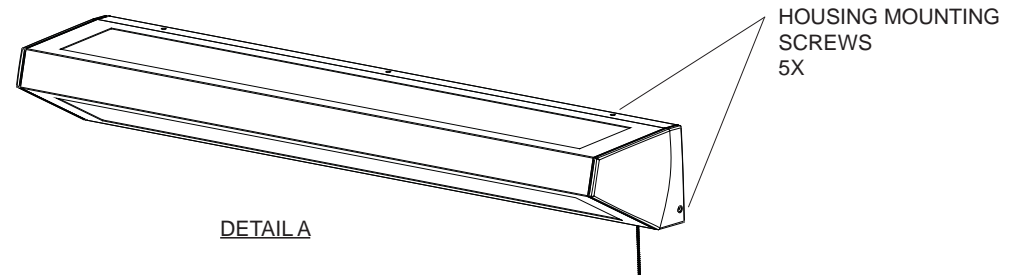
MHS SERIES INSTALLATION INSTRUCTIONS

WARNING:

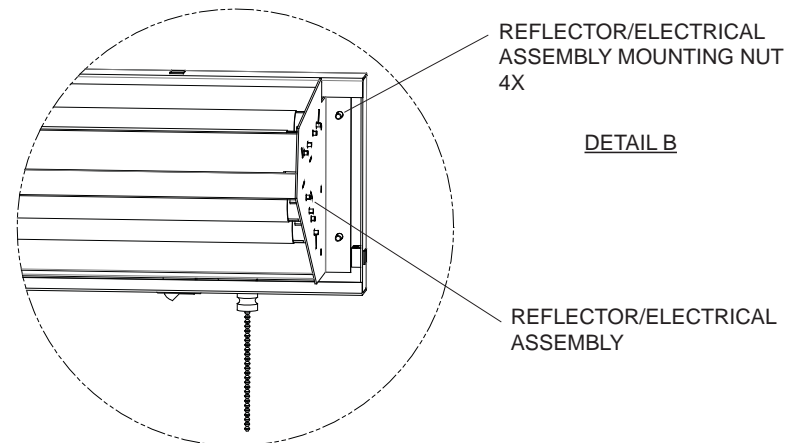
- DISCONNECT POWER BEFORE BEGINNING INSTALLATION.
- FIXTURE MUST BE INSTALLED IN COMPLIANCE WITH THE NATIONAL ELECTRIC CODE AND ANY LOCAL CODES.
- TO BE INSTALLED ONLY BY A QUALIFIED ELECTRICIAN.
- RISK OF FIRE, USE A MINIMUM OF 90 DEG C SUPPLY CONDUCTORS.

INSTALLATION INSTRUCTIONS:

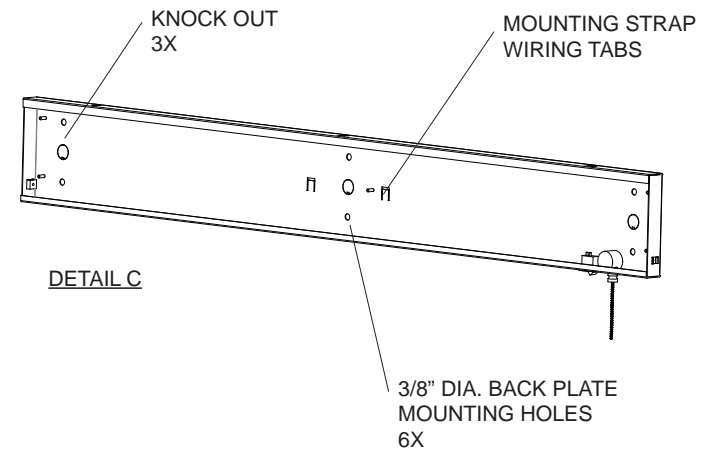
1. Remove housing mounting screws and set housing to the side.
See detail A.



2. Remove reflector/electrical assembly by unscrewing mounting nuts.
See detail B & D.



3. Determine fixture location and remove appropriate knock out.
See detail C.
4. Position the bottom of the back plate 6 ft. from the floor over the junction box on mounting surface and fasten in place (hardware by others).
See detail C.
5. Bend mounting strap wiring tabs out slightly with screw driver.
See detail C & D.



6. Hook reflector/electrical assembly mounting strap onto back plate wiring tabs.
See detail D.
7. Connect fixture hot, neutral, and ground conductors to matching building conductors.
8. Connect rocker switch and/or pull switch if ordered.

NOTE: See supplemental wiring diagrams for switches and low voltage controller.

9. Rotate reflector/electrical assembly up onto back plate and reinstall mounting nuts.
See detail B.

10. Install Lamp (by others), if applicable.

