



## MUS SERIES INSTALLATION INSTRUCTIONS

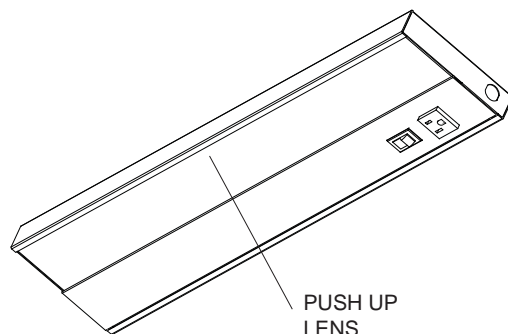
### WARNING:

- DISCONNECT POWER BEFORE BEGINNING INSTALLATION.
- FIXTURE MUST BE INSTALLED IN COMPLIANCE WITH THE NATIONAL ELECTRIC CODE AND ANY LOCAL CODES.
- TO BE INSTALLED ONLY BY A QUALIFIED ELECTRICIAN.
- RISK OF FIRE, USE A MINIMUM OF 90 DEG C SUPPLY CONDUCTORS.

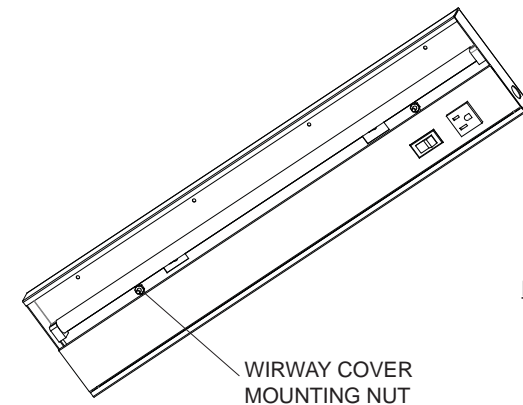
### INSTALLATION INSTRUCTIONS:

1. Remove lens by pushing up on one side and pull down. See detail A.
2. Remove wireway cover by unscrewing mounting nuts. See detail B & C.
3. Remove appropriate knock out and install wire clamp/conduit fitting. See detail D.

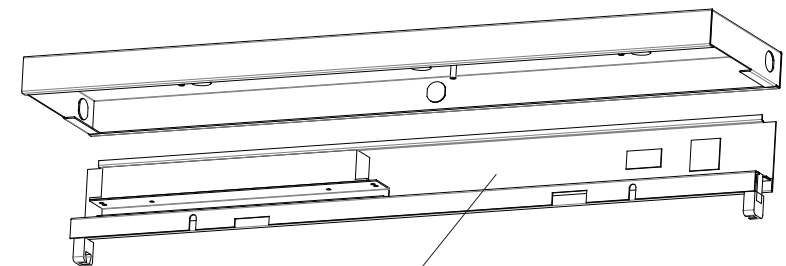
**NOTE:** Skip steps #3 & #5 for fixtures with cordsets.



DETAIL A



DETAIL B



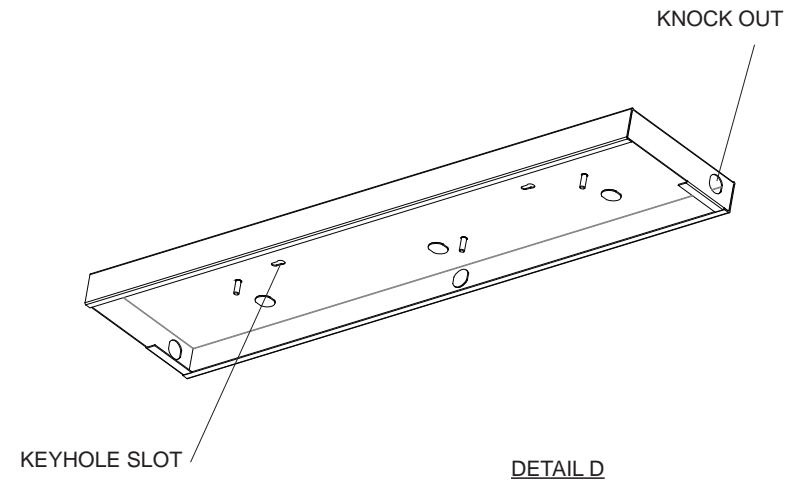
WIRWAY COVER

DETAIL C

4. Position fixture in desired location and install mounting screws (by others) in keyhole slots. See detail D.
5. Connect fixture hot, neutral, and ground conductors to matching building conductors.
6. Connect rocker switch and/or convenience outlet if ordered.

**NOTE:** Convenience outlet must be connected to 15 amp power supply circuit protected by a ground fault interrupter.

7. Reinstall wireway cover.
8. Install lamp (by others), if applicable.
9. Reinstall lens.



ROW MOUNTING INSTALLATION INSTRUCTIONS:

1. Remove appropriate knock outs. See detail D & E.
2. Connect fixtures by using 1/2" OD threaded nipple and hex nuts.
3. Feed wires through nipple.

