



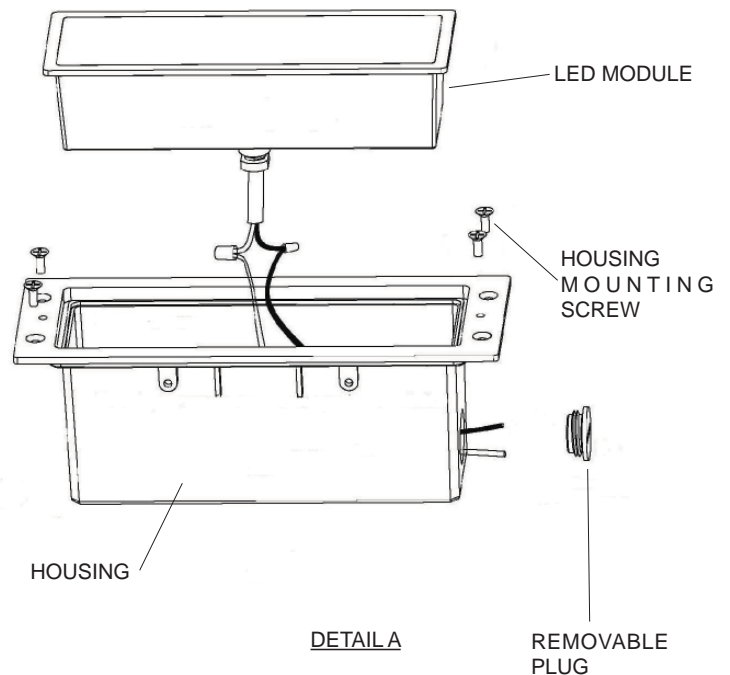
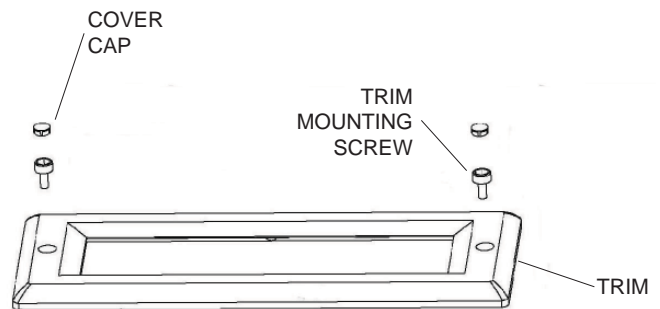
SNL3 SERIES INSTALLATION INSTRUCTIONS

WARNING:

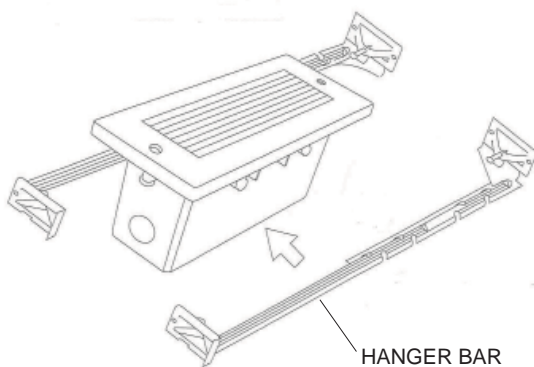
- DISCONNECT POWER BEFORE BEGINNING INSTALLATION.
- FIXTURE MUST BE INSTALLED IN COMPLIANCE WITH THE NATIONAL ELECTRIC CODE AND ANY LOCAL CODES.
- TO BE INSTALLED ONLY BY A QUALIFIED ELECTRICIAN.
- RISK OF FIRE, USE A MINIMUM OF 90 DEG C SUPPLY CONDUCTORS.

INSTALLATION INSTRUCTIONS:

1. Mount step light housing to building structure via housing mounting screws or hanger bars. See detail A & B.
2. Position LED module near housing. See detail A.
3. Connect step light hot, neutral, and ground conductors to matching building conductors.
4. Secure step light LED module and trim to trim mounting screws, allen wrench provided. See detail A.
5. Install trim mounting screw cover caps. See detail A.



DETAIL A



DETAIL B