

STARMed 6 LED ROUND

HEALTHCARE SERIES

MRI LUMINAIRE
LED

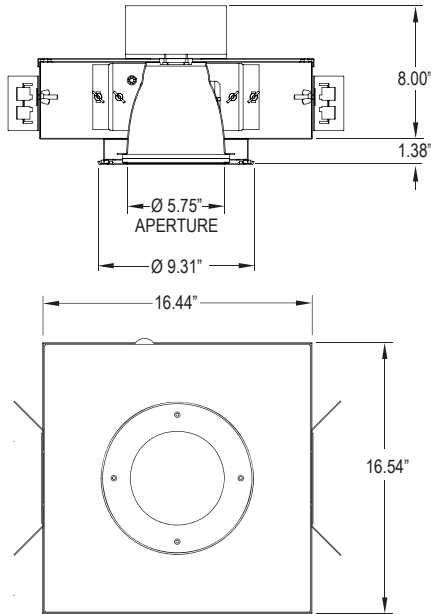


Made in America



PROJECT:
TYPE:
PRODUCT:
APPROVED:
DATE:

DIMENSIONAL DATA



FEATURES

The New Star "StarMed 6 LED Round" Healthcare fixture is designed for use in MRI suites and medical settings.

- Non-ferrous construction
- Excellent vertical illumination
- Sealed and enclosed aluminium housing
- Durable construction
- Available in 6" aperture
- MRI safe
- Dimmable down to 1%
- Remote mounted power supply
- Available in a variety wattages
- Easy maintenance finish
- Low glare

APPLICATION

- MRI Rooms
- Control Rooms
- Patient Rooms
- Nurse Stations
- Laboratories
- Research Facilities
- Psychiatric Ward
- Surgical Suites
- Administration areas
- Corridors

SPECIFICATION FEATURES

HOUSING:

16 gauge Aluminium (standard)

FINISH:

White Antimicrobial powdercoat finish following an iron phosphate pre-treatment (standard)

LENS:

Polycarbonate and Acrylic lens

ELECTRONICS:

Remote mounted 36V DC 120V-277V power supply.
0-10v dimming RF/EM2 filter required by others.

LABEL:



ORDERING INFORMATION

Product Family	Housing Material	# of Lamps	Lamp Type	Outer Lens	Inner Lens
DLM6-MRI	HA				
DLM6-MRI 16-7/16" x 16-9/16" x 9-3/8"	HA = Housing 16 Ga. Aluminum	L3 = 9W L4 = 19W L5 = 34W	30 = White 3000° K 35 = White 3500° K 40 = White 4000° K	A = .125 Clear Acrylic B = .125 Clear Polycarb. C = .187 Clear Polycarb. D = .250 Clear Polycarb. E = .375 Clear Polycarb. F = .125 Clear Temp.Glass G = .187 Clear Temp.Glass H = .250 Clear Temp.Glass O = None	A = .125 Prismatic Acrylic B = .125 Prismatic Polycarb. C = .156 Prismatic Polycarb. D = .125 White Frosted Polycarb. LC3
Trim	Reflector Finish	Voltage	Options		
A					
A = .080 Aluminium	1 = Clear Specular (standard) 2 = Clear Semi-Specular 3 = Antimicrobial Low Gloss White 4 = Champagne Gold	12 = 120V 27 = 277V UN = Universal (120V-277V)	DM = Dimming Driver (0-10V)• DM1 = Dimming Driver 1% FZ = Fuse TH = Torx Head screws (with center pins) NI = Non-IP65 Application	* 90 CRI only available in 3000K ◀ Also available in 82 CRI (Consult Factory) • Consult factory for dimming compatibility	

	COLOR TYPE	REFLECTOR FINISH POLYCARBONATE	LC3 (.125 THK.) WHITE FROSTED .125 THK.) LENS	CLEAR ACRYLIC	WATTAGE	CRI	ESTD. LED LIFE L70
L3	30 K	CLEAR SPECULAR	592 lms	741 lms	9 w	90	149,000 HRS.
L4	30 K	CLEAR SPECULAR	1,050 lms	1,235 lms	19 w	90	149,000 HRS.
L3	35 K	CLEAR SPECULAR	621 lms	745 lms	9 w	90	149,000 HRS.
L4	35 K	CLEAR SPECULAR	1,100 lms	1,296 lms	19 w	90	149,000 HRS.
L3	40 K	CLEAR SPECULAR	652 lms	782 lms	9 w	90	149,000 HRS.
L4	40 K	CLEAR SPECULAR	1,156 lms	1,360 lms	19 w	90	149,000 HRS.
L5	35 K	CLEAR SPECULAR	1,789 lms	2,105 lms	34 w	90	149,000 HRS.
L5	40 K	CLEAR SPECULAR	1,880 lms	2,210 lms	34 w	90	149,000 HRS.

Notes:

Specifications and Dimensions are subject to change without notice. For additional options and dimensional details please consult your New Star Lighting Representative. For specific electronic ballast, specify brand and catalog number.

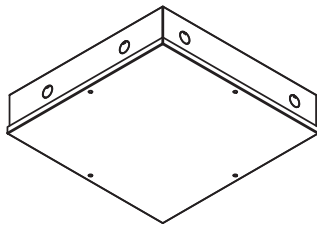


STARMed 6 LED POWER SUPPLY

HEALTHCARE SERIES

MRI

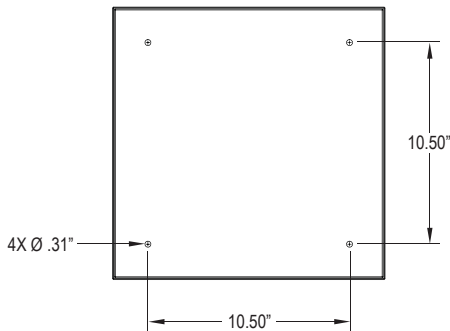
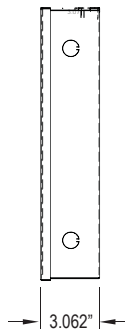
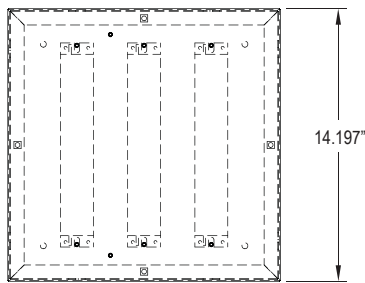
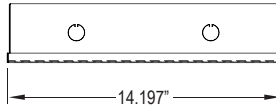
LED



Made in America

PROJECT:
TYPE:
PRODUCT:
APPROVED:
DATE:

DIMENSIONAL DATA



Mounting Detail

FEATURES

The New Star "StarMed 6" LED MRI Round" Healthcare fixture is designed for use in MRI suites and other medical settings.

- Remote mounted outside EMI shielded room
- Dimmable down to 1%
- Compatible with 0-10 volt dimming control
- Remote mounted power supply

APPLICATION

- MRI / imaging suite
- Control rooms

SPECIFICATION FEATURES

HOUSING:

20 gauge CRS with seam welded construction

FINISH:

White Antimicrobial powdercoat finish following an iron phosphate pre-treatment (standard)

ELECTRONICS:

Input : 120/277V 50/60 HZ

Output : Max (3) 36Vdc constant current drivers

EMI FILTERS:

EMI filter required, sized to power supply (by others)

COVER:

20 Ga. CRS with seam welded construction

LABEL:



INSTALLATION:

Wiring / conduit : All power and dimming wiring must be completely shielded in grounded conduit. Min 18 AWG low voltage supply wire. Total run of wire (power supply to filter to fixture) must not exceed 50 ft.

ORDERING INFORMATION

Product Family	Housing Material	# of Lamps	* Number of Fixtures per Drivers	Options
DLM6-PS				
DLM6-MRI 14.20" x 14.20" x 3.06"	HC = Housing 20 Gauge CRS	M1 = 9W 82 CRI M2 = 19W 82 CRI	#1 #2 #3	DM = Dimming Driver (0-10V) ● DM1 = Dimming Driver 1% ▲

19W : 1-4 Fixtures Per Driver
9W : 1-4 and 8 Fixtures Per Driver

▲ MRI only for 1% Dimming
19W : 1-4 Fixtures Per Driver
9W : 3 Fixtures Per Driver

10-27-17



Notes:
Specifications and Dimensions are subject to change without notice. For additional options and dimensional details please consult your New Star Lighting Representative. For specific electronic ballast, specify brand and catalog number.