

STAR MED Dos + 1

HEALTHCARE SERIES

PATIENT ROOM 3 COMPARTMENT LUMINAIRE

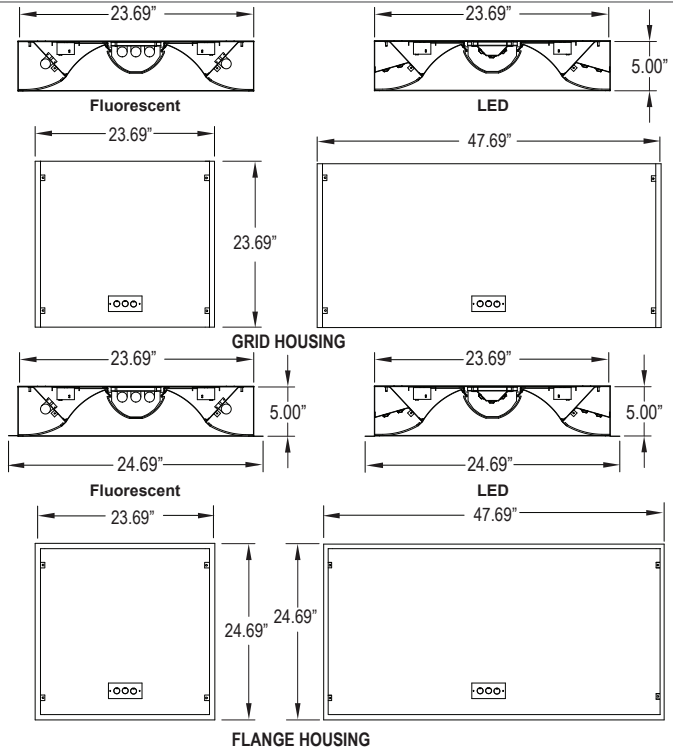
GRID/FLANGE

FLUORESCENT / LED



PROJECT:
TYPE:
PRODUCT:
APPROVED:
DATE:

DIMENSIONAL DATA



FEATURES

The New Star "Star Med + 1" Healthcare fixture is designed for use in patient room, surgical suites, and other medical settings.

- 5 yr. warranty as listed under our NewStar promise
- Perfect for hospital patient room applications
- Ambient, exam, and reading in one fixture
- (0-10v) Dimming standard
- Easy maintenance finish
- Low Glare Ambient compartment

APPLICATION

- Hospital Patient Rooms
- Hospital Exam Rooms
- Doctors Exam Rooms

SPECIFICATIONS

HOUSING:

20 gauge formed cold rolled steel housing seamed welded & ground smooth (standard). Stainless steel option available

AMBIENT LENS:

Linear white polycarbonate lens (standard).

EXAM LENS:

Linear ribbed frosted or clear acrylic lens.

FRAME / LENS:

Inset door available in anodized aluminum, white painted aluminum or cold rolled steel.

ELECTRONICS:

Fluorescent:
Electronic Ballast <10% THD standard. RIF available. Lamps by others.

LED:

Available in three standard color temperatures 3500°K, 4000°K & 5000°K. Other color temperatures available, consult factory.

LED NIGHT LIGHT:

Integrated switch allows light selection at 100%, 70%, 40% and 10% levels

FINISH:

White antimicrobial powdercoat finish following an iron phosphate pre-treatment

LABEL:



Note:

Recommended rough opening: DOS2 24- 1/16" x 23-1/8"
DOS4 47- 1/8" x 24-1/16"

ORDERING INFORMATION

Product Family	Housing	Frame/Lens	Ambient # of Lamps	Ambient Lamp Type
SMDOS_				
SMDOSG22 GRID 23-11/16" x 23-11/16" x 5"	HA = Housing Alum. HC = Housing 20Ga. CRS(Standard)	Fluorescent/LED: Inset Frame Options: Blank = No Lens ICA = 18Ga. CRS .125 Clear Poly.lens IAA = Alum.(Painted).125 Clear Poly.lens IC1 = 18Ga. CRS .187 Clear Poly. lens IA1 = Alum.(Painted).187 Clear Poly.lens	Fluorescent: SMDOSG24-SMDOSF24: SMDOSG22-SMDOSF22 L1 = LED 1 Row (25W) SMDOSG24-SMDOSF24: L2 = LED 2 Row (50W) 2 = 2 Lamp 3 = 3 Lamp L3 = LED 3 Row (75W)▼	Fluorescent: LED: SMDOSG22-SMDOSF22: SMDOSG22-SMDOSF22 17 = Linear 17W T8 SMDOSG24-SMDOSF24: 14 = Linear 14W T5 30 =White 3000° K 84 CRI 24 = Linear 24W T5 (H.O.) 35 =White 3500° K 84 CRI SMDOSG24-SMDOSF24: 40 =White 4000° K 84 CRI 28 = Linear 28W T5 50 =White 5000° K 84 CRI 32 = Linear 32W T8 54 = Linear 54W T5 (H.O.)
SMDOSG24 GRID 47-11/16" x 23-11/16" x 5"	HS = Housing 20Ga. Stainless Steel			
SMDOSF22 FLANGE 24-11/16" x 24-11/16" x 5"	HP = Housing 20Ga. Stainless Steel			
SMDOSF24 FLANGE 47-11/16" x 24-11/16" x 5"	Painted			

Exam # of Lamps	Exam Lamp Type	Reading Lamp	Exam	Voltage	Options
Fluorescent: 2 = 2 Lamp (1 Lp per side) LED SMDOSG22-SMDOSF22: L1 = LED 1 Rw(12.5 W)per side L2 = LED 2 Rw(25 W)per side SMDOSG24-SMDOSF24: L1 = LED 1 Rw(25 W)per side L2 = LED 2 Rw(50 W)per side	Fluorescent: LED SMDOSG22-SMDOSF22: 17 = Linear 17W T8 SMDOSG22-SMDOSF22 14 = Linear 14W T5 30 =White 3000° K 84 CRI 24 = Linear 24W T5 (H.O.) 35 =White 3500° K 84 CRI SMDOSG24-SMDOSF24: 40 =White 4000° K 84 CRI 28 = Linear 28W T5 50 =White 5000° K 84 CRI 32 = Linear 32W T8 54 = Linear 54W T5 (H.O.)	B = No reading light RL = (2)LED Reading Δ Lights	CA =Clear linear ribbed acrylic FA = Frosted linear ribbed acrylic	12 =120V 27 =277V 34 =347V ■ ♦ UN =Universal (120V-277V)	FZ = Fuse * E2 = Emerg. Battery Pack (1100 Lumens) ♦* E3 = Emerg. Battery Pack (650 Lumens) ♦* RF = Radio Inter. Filter(one per circ or ballast)Δ LV2 = Low volt. controller 2 Loads(standard) Δ LV3 = Low volt. controller 3 Loads Δ EL1 = Emergency Battery LED Low LN = LED Night Light. 3500° K▼ AML = Antimicrobial Lens

* Cannot use with Universal Voltage ■ Consult factory for lamp-ballast options ▼ LED Night Light not available with L3
Δ Not Available with 347V ♦ Not available in LED • 8.5 watts, 3100K, 12° swivel along length of fixture



Notes:
Specifications and Dimensions are subject to change without notice. For additional options and dimensional details please consult your New Star Lighting Representative. For specific electronic ballast, specify brand and catalog number.